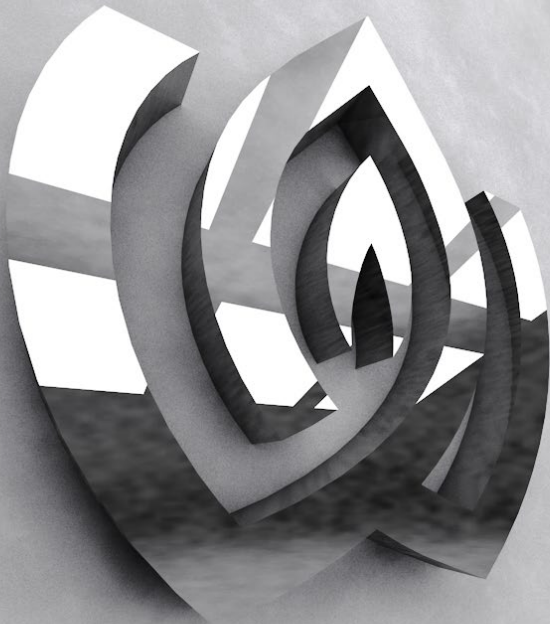


Price List
Catalogue

**Flat
& Line
Decorative
Radiator**



About Warmhaus

Warmhaus is an affiliate of Beyçelik Holding which produces boilers, high capacity wall hung condensing boilers, water heaters and steel panel radiators with experience in HVAC industry since 1996.

Warmhaus is amongst the top 10 radiator producers in the world and the top 4 in Turkey and Warmhaus products heat one of every seven houses in Turkey and many in more than +50 countries.

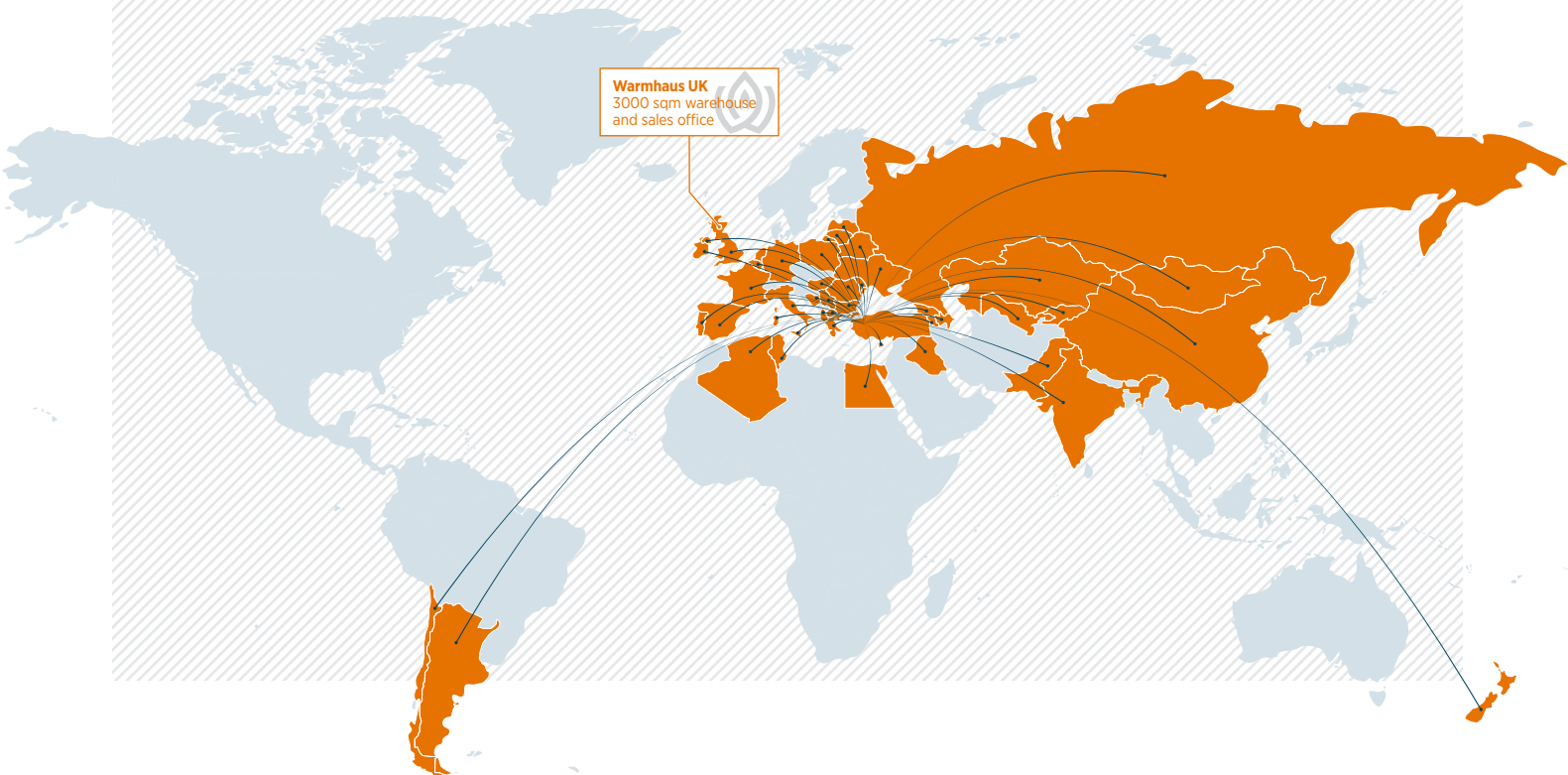
Warmhaus produces boilers, high capacity wall hung condensing boilers, water heaters and steel panel radiators.

Global Heating Brand

Products developed by Warmhaus R&D center are shipped all over the world.

- ▶ Albania
- ▶ Algeria
- ▶ Argentina
- ▶ Azerbaijan
- ▶ Belgium
- ▶ Bosnia
- ▶ Bulgaria
- ▶ Chile
- ▶ China
- ▶ Egypt
- ▶ Estonia
- ▶ France
- ▶ Georgia
- ▶ Germany
- ▶ Greece
- ▶ Hungary
- ▶ India
- ▶ Iraq
- ▶ Ireland
- ▶ Italy
- ▶ Jordan
- ▶ Kazakhstan
- ▶ Kosovo
- ▶ Kyrgyzstan
- ▶ Latvia
- ▶ Lithuania
- ▶ Macedonia
- ▶ Moldova
- ▶ Mongolia
- ▶ Netherlands
- ▶ Northern Cyprus
- ▶ Poland
- ▶ Portugal
- ▶ Romania
- ▶ Russia
- ▶ Serbia
- ▶ Spain
- ▶ Tunisia
- ▶ Turkmenistan
- ▶ Ukraine
- ▶ United Kingdom
- ▶ Uzbekistan

Warmhaus UK
3000 sqm warehouse
and sales office



Decorative Panel Radiators



HORIZONTAL DECORATIVE



Elegant

Warmhaus offers the Decorative Panel Radiators range to satisfy the demand of elegance, style and flexibility. We have a broad range of products available in various color, finish and size alternatives.



VERTICAL DECORATIVE

ACCESSORIES



Horizontal Decorative Panel Radiators



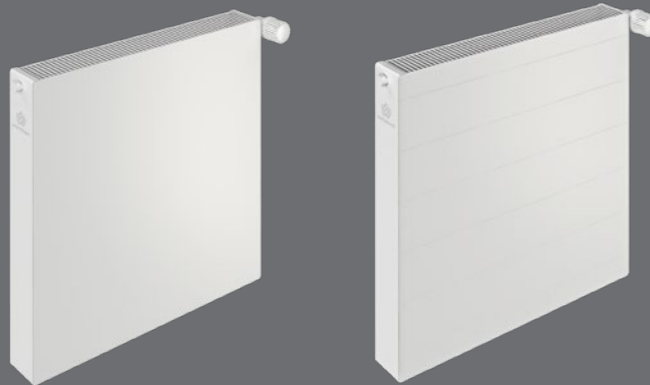
Test Pressure 13 bar	Max. Operation Pressure 10 bar	Max. Water Temperature 110 °C	Warranty 10 	Number of Connection 4xDIN 6xDIN G 1/2
-----------------------------------	---	--	---------------------------	---

Flat and Line

Warmhaus Horizontal Decorative Panel Radiators have surface with optimum thermal efficiency and they are easy to clean in addition to their elegant look. They provide the functionality and benefits of standard and compact radiators.

All the advantages of a compact ventilator and in-line radiator can be applied to a flat radiator. Flat radiators can be customized with vertical or horizontal lines, wide color range and pattern options.

- Elegant appearance with smooth surface
- Flat and horizontal line options



Flat

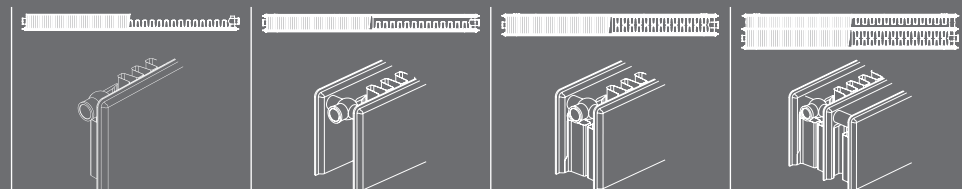
Line

Type 11

Type 21

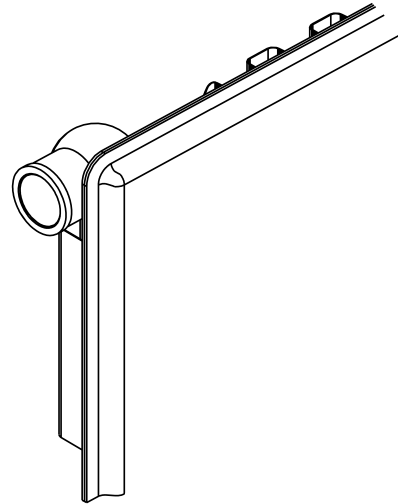
Type 22

Type 33



Width (mm)	60	70	105	160
Height (mm)	300-400-500-600-700-900	300-400-500-600-700-900	300-400-500-600-700-900	300-400-500-600-700-900
Length (mm)	400-3000	400-3000	400-3000	400-3000

Standart Flat & Line Radiator Type 11



Width (mm)	60
Height (mm)	300-400-500-600-700-900
Length (mm)	400-3000

Interval for length [Lengths (mm)]	Lengths produced at 100 mm intervals	: [400 - 500 - 600 - 700 - 800 - 900 - 1000 - 1100 - 1200 - 1300 - 1400 - 1500 - 1600]
	Lengths produced at 200 mm intervals	: [1800 - 2000 - 2200 - 2400 - 2600 - 2800 - 3000]

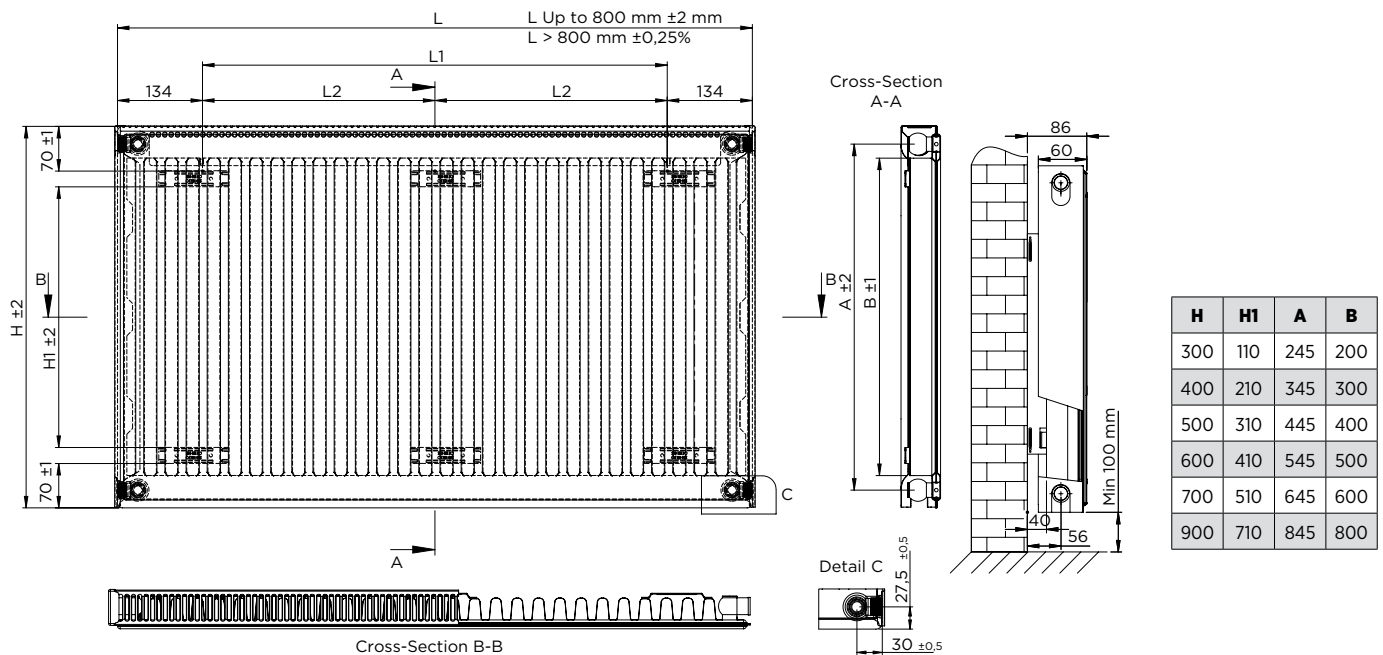
	Product Code	Description	Price (Exc.Vat)	Watt	BTU ($\Delta T = 50$)	BTU ($\Delta T = 60$)
FLAT	PN1130060FN0093	Standard Flat Radiator Type 11 300*0600	£92,44	250	853	1081
	PN1130100FN0093	Standard Flat Radiator Type 11 300*1000	£259,48	416	1419	1799
	PN1130120FN0093	Standard Flat Radiator Type 11 300*1200	£182,44	499	1702	2158
	PN1130140FN0093	Standard Flat Radiator Type 11 300*1400	£207,98	582	1985	2516
	PN1140040FN0093	Standard Flat Radiator Type 11 400*0400	£88,83	216	737	934
	PN1140060FN0093	Standard Flat Radiator Type 11 400*0600	£118,15	325	1108	1405
	PN1140080FN0093	Standard Flat Radiator Type 11 400*0800	£149,35	433	1477	1872
	PN1140100FN0093	Standard Flat Radiator Type 11 400*1000	£180,86	541	1845	2339
	PN1140120FN0093	Standard Flat Radiator Type 11 400*1200	£211,82	649	2213	2806
	PN1140140FN0093	Standard Flat Radiator Type 11 400*1400	£243,09	757	2581	3273
	PN1140160FN0093	Standard Flat Radiator Type 11 400*1600	£274,36	866	2953	3744
	PN1150040FN0093	Standard Flat Radiator Type 11 500*0400	£108,68	266	907	1150
	PN1150060FN0093	Standard Flat Radiator Type 11 500*0600	£140,88	400	1364	1730
	PN1150080FN0093	Standard Flat Radiator Type 11 500*0800	£179,36	533	1818	2305
	PN1150100FN0093	Standard Flat Radiator Type 11 500*1000	£218,00	666	2271	2880
	PN1150120FN0093	Standard Flat Radiator Type 11 500*1200	£256,98	799	2725	3455
	PN1150140FN0093	Standard Flat Radiator Type 11 500*1400	£295,67	932	3178	4030
	PN1150160FN0093	Standard Flat Radiator Type 11 500*1600	£334,31	1066	3635	4609
	PN1160040FN0093	Standard Flat Radiator Type 11 600*0400	£124,32	316	1078	1366
	PN1160060FN0093	Standard Flat Radiator Type 11 600*0600	£161,98	475	1620	2054
	PN1160080FN0093	Standard Flat Radiator Type 11 600*0800	£207,82	633	2159	2737
	PN1160100FN0093	Standard Flat Radiator Type 11 600*1000	£253,95	791	2697	3420
	PN1160120FN0093	Standard Flat Radiator Type 11 600*1200	£299,89	949	3236	4103
	PN1160140FN0093	Standard Flat Radiator Type 11 600*1400	£345,81	1107	3775	4787
	PN1160160FN0093	Standard Flat Radiator Type 11 600*1600	£391,60	1266	4317	5474
	PN1160180FN0093	Standard Flat Radiator Type 11 600*1800	£437,63	1424	4856	6157
	PN1160200FN0093	Standard Flat Radiator Type 11 600*2000	£484,88	1582	5395	6840

	Product Code	Description	Price (Exc.Vat)	Watt	BTU ($\Delta T = 50$)	BTU ($\Delta T = 60$)
LINE	PN1130060EN0093	Standard Line Radiator Type 11 300*0600	£106,30	250	852,5	1081
	PN1130100EN0093	Standard Line Radiator Type 11 300*1000	£298,40	416	1418,56	1799
	PN1130120EN0093	Standard Line Radiator Type 11 300*1200	£209,81	499	1701,59	2158
	PN1130140EN0093	Standard Line Radiator Type 11 300*1400	£239,18	582	1984,62	2516
	PN1140040EN0093	Standard Line Radiator Type 11 400*0400	£102,16	216	736,56	934
	PN1140060EN0093	Standard Line Radiator Type 11 400*0600	£135,87	325	1108,25	1405
	PN1140080EN0093	Standard Line Radiator Type 11 400*0800	£171,75	433	1476,53	1872
	PN1140100EN0093	Standard Line Radiator Type 11 400*1000	£207,99	541	1844,81	2339
	PN1140120EN0093	Standard Line Radiator Type 11 400*1200	£243,60	649	2213,09	2806
	PN1140140EN0093	Standard Line Radiator Type 11 400*1400	£279,55	757	2581,37	3273
	PN1140160EN0093	Standard Line Radiator Type 11 400*1600	£315,52	866	2953,06	3744
	PN1150040EN0093	Standard Line Radiator Type 11 500*0400	£124,98	266	907,06	1150
	PN1150060EN0093	Standard Line Radiator Type 11 500*0600	£162,01	400	1364	1730
	PN1150080EN0093	Standard Line Radiator Type 11 500*0800	£206,26	533	1817,53	2305
	PN1150100EN0093	Standard Line Radiator Type 11 500*1000	£250,70	666	2271,06	2880
	PN1150120EN0093	Standard Line Radiator Type 11 500*1200	£295,52	799	2724,59	3455
	PN1150140EN0093	Standard Line Radiator Type 11 500*1400	£340,03	932	3178,12	4030
	PN1150160EN0093	Standard Line Radiator Type 11 500*1600	£384,45	1066	3635,06	4609
	PN1160040EN0093	Standard Line Radiator Type 11 600*0400	£142,97	316	1077,56	1366
	PN1160060EN0093	Standard Line Radiator Type 11 600*0600	£186,28	475	1619,75	2054
	PN1160080EN0093	Standard Line Radiator Type 11 600*0800	£238,99	633	2158,53	2737
	PN1160100EN0093	Standard Line Radiator Type 11 600*1000	£292,05	791	2697,31	3420
	PN1160120EN0093	Standard Line Radiator Type 11 600*1200	£344,87	949	3236,09	4103
	PN1160140EN0093	Standard Line Radiator Type 11 600*1400	£397,68	1107	3774,87	4787
	PN1160160EN0093	Standard Line Radiator Type 11 600*1600	£450,34	1266	4317,06	5474
	PN1160180EN0093	Standard Line Radiator Type 11 600*1800	£503,27	1424	4855,84	6157
	PN1160200EN0093	Standard Line Radiator Type 11 600*2000	£557,61	1582	5394,62	6840



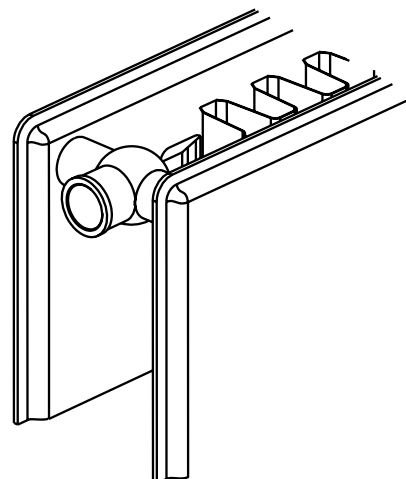
DIMENSIONAL SPECIFICATIONS

Type	Nominal Size (mm)	Center of Distance (mm)	Width (mm)	Length Min. - Max. (mm)	Water Content (L/m)
11 PK	300	245	60	400 - 3000	1,86
	400	345	60	400 - 3000	2,3
	500	445	60	400 - 3000	2,85
	600	545	60	400 - 3000	3,4
	700	645	60	400 - 3000	3,95
	900	845	60	400 - 3000	4,94



L	400	500	600	700	800	900	1000	1100	1200	1300	1400	1500	1600	1700	1800	1900	2000	2100	2200	2300	2400	2500	2600	2700	2800	2900	3000
L1	132	232	332	432	532	632	732	832	932	1032	1132	1232	1332	1432	1532	1632	1732	1832	1932	2032	2132	2232	2332	2432	2532	2632	2732
L2															766	816	866	916	966	1016	1066	1116	1166	1216	1266	1316	1366

Standart Flat & Line Radiator Type 21

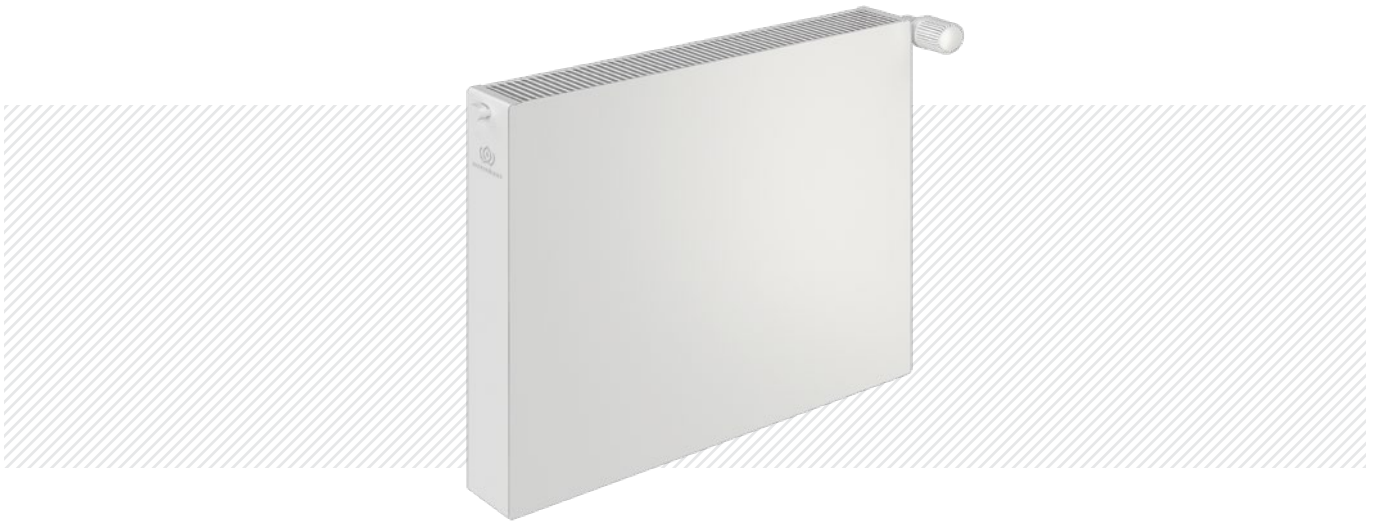


Width (mm)	70
Height (mm)	300-400-500-600-700-900
Length (mm)	400-3000

Interval for length [Lengths (mm)]	Lengths produced at 100 mm intervals	: [400 - 500 - 600 - 700 - 800 - 900 - 1000 - 1100 - 1200 - 1300 - 1400 - 1500 - 1600]
	Lengths produced at 200 mm intervals	: [1800 - 2000 - 2200 - 2400 - 2600 - 2800 - 3000]

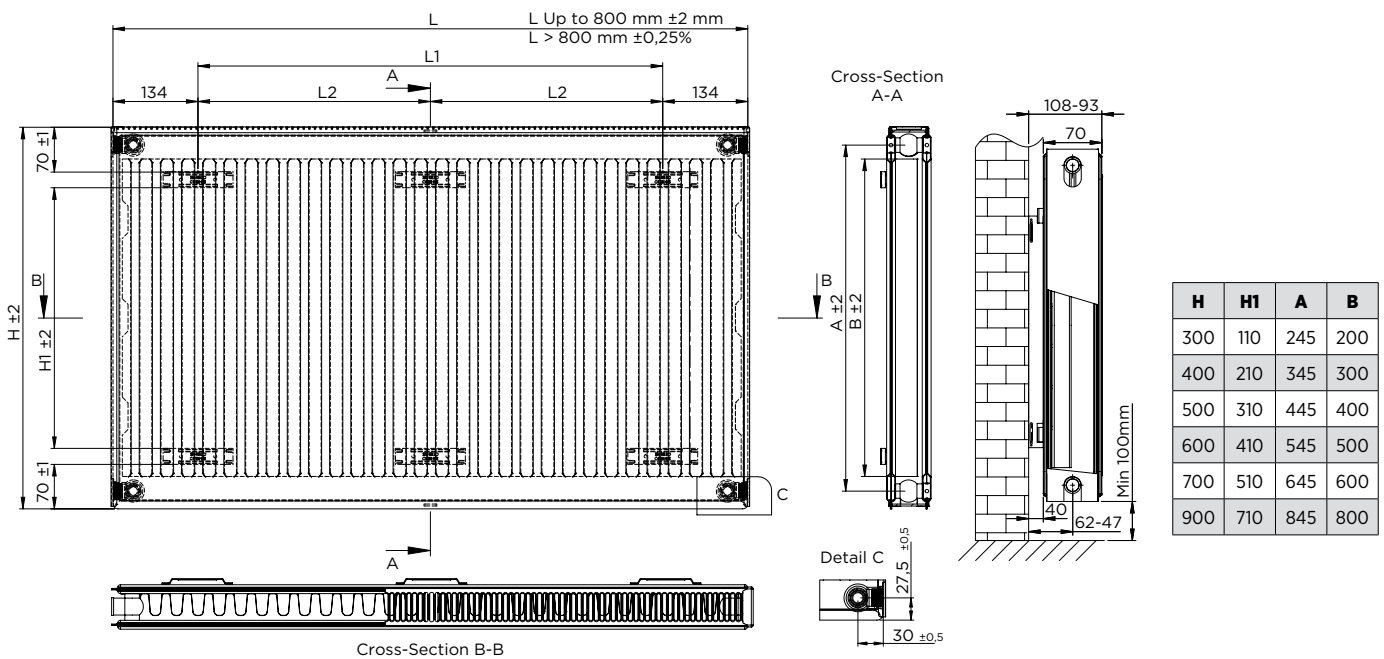
	Product Code	Description	Price (Exc.Vat)	Watt	BTU ($\Delta T = 50$)	BTU ($\Delta T = 60$)
FLAT	PN2130060FN0093	Standard Flat Radiator Type 21 300*0600	£150,16	391	1333	1691
	PN2130100FN0093	Standard Flat Radiator Type 21 300*1000	£235,36	652	2223	2819
	PN2130120FN0093	Standard Flat Radiator Type 21 300*1200	£278,02	782	2667	3381
	PN2130140FN0093	Standard Flat Radiator Type 21 300*1400	£320,42	913	3113	3948
	PN2140040FN0093	Standard Flat Radiator Type 21 400*0400	£117,67	328	1118	1418
	PN2140060FN0093	Standard Flat Radiator Type 21 400*0600	£158,07	492	1678	2127
	PN2140080FN0093	Standard Flat Radiator Type 21 400*0800	£203,92	656	2237	2836
	PN2140100FN0093	Standard Flat Radiator Type 21 400*1000	£247,75	820	2796	3546
	PN2140120FN0093	Standard Flat Radiator Type 21 400*1200	£292,65	984	3355	4255
	PN2140140FN0093	Standard Flat Radiator Type 21 400*1400	£337,28	1148	3915	4964
	PN2140160FN0093	Standard Flat Radiator Type 21 400*1600	£382,06	1312	4474	5673
	PN2150040FN0093	Standard Flat Radiator Type 21 500*0400	£139,71	395	1347	1708
	PN2150060FN0093	Standard Flat Radiator Type 21 500*0600	£187,90	592	2019	2560
	PN2150080FN0093	Standard Flat Radiator Type 21 500*0800	£242,90	790	2694	3416
	PN2150100FN0093	Standard Flat Radiator Type 21 500*1000	£297,46	987	3366	4268
	PN2150120FN0093	Standard Flat Radiator Type 21 500*1200	£352,58	1184	4037	5119
	PN2150140FN0093	Standard Flat Radiator Type 21 500*1400	£407,44	1382	4713	5976
	PN2150160FN0093	Standard Flat Radiator Type 21 500*1600	£461,97	1579	5384	6827
	PN2160040FN0093	Standard Flat Radiator Type 21 600*0400	£158,66	462	1575	1998
	PN2160060FN0093	Standard Flat Radiator Type 21 600*0600	£218,00	693	2363	2996
	PN2160080FN0093	Standard Flat Radiator Type 21 600*0800	£283,05	924	3151	3995
	PN2160100FN0093	Standard Flat Radiator Type 21 600*1000	£347,84	1155	3939	4994
	PN2160120FN0093	Standard Flat Radiator Type 21 600*1200	£412,46	1386	4726	5993
	PN2160140FN0093	Standard Flat Radiator Type 21 600*1400	£477,64	1617	5514	6992
	PN2160160FN0093	Standard Flat Radiator Type 21 600*1600	£542,45	1848	6302	7991
	PN2160180FN0093	Standard Flat Radiator Type 21 600*1800	£619,52	2079	7089	8989
PN2160200FN0093	Standard Flat Radiator Type 21 600*2000	£682,96	2310	7877	9988	

	Product Code	Description	Price (Exc.Vat)	Watt	BTU ($\Delta T = 50$)	BTU ($\Delta T = 60$)
LINE	PN2130060EN0093	Standard Line Radiator Type 21 300*0600	£172,69	391	1333,31	1691
	PN2130100EN0093	Standard Line Radiator Type 21 300*1000	£270,66	652	2223,32	2819
	PN2130120EN0093	Standard Line Radiator Type 21 300*1200	£319,72	782	2666,62	3381
	PN2130140EN0093	Standard Line Radiator Type 21 300*1400	£368,48	913	3113,33	3948
	PN2140040EN0093	Standard Line Radiator Type 21 400*0400	£135,32	328	1118,48	1418
	PN2140060EN0093	Standard Line Radiator Type 21 400*0600	£181,78	492	1677,72	2127
	PN2140080EN0093	Standard Line Radiator Type 21 400*0800	£234,51	656	2236,96	2836
	PN2140100EN0093	Standard Line Radiator Type 21 400*1000	£284,91	820	2796,2	3546
	PN2140120EN0093	Standard Line Radiator Type 21 400*1200	£336,55	984	3355,44	4255
	PN2140140EN0093	Standard Line Radiator Type 21 400*1400	£387,87	1148	3914,68	4964
	PN2140160EN0093	Standard Line Radiator Type 21 400*1600	£439,36	1312	4473,92	5673
	PN2150040EN0093	Standard Line Radiator Type 21 500*0400	£160,67	395	1346,95	1708
	PN2150060EN0093	Standard Line Radiator Type 21 500*0600	£216,08	592	2018,72	2560
	PN2150080EN0093	Standard Line Radiator Type 21 500*0800	£279,33	790	2693,9	3416
	PN2150100EN0093	Standard Line Radiator Type 21 500*1000	£342,08	987	3365,67	4268
	PN2150120EN0093	Standard Line Radiator Type 21 500*1200	£405,46	1184	4037,44	5119
	PN2150140EN0093	Standard Line Radiator Type 21 500*1400	£468,55	1382	4712,62	5976
	PN2150160EN0093	Standard Line Radiator Type 21 500*1600	£531,27	1579	5384,39	6827
	PN2160040EN0093	Standard Line Radiator Type 21 600*0400	£182,46	462	1575,42	1998
	PN2160060EN0093	Standard Line Radiator Type 21 600*0600	£250,70	693	2363,13	2996
	PN2160080EN0093	Standard Line Radiator Type 21 600*0800	£325,51	924	3150,84	3995
	PN2160100EN0093	Standard Line Radiator Type 21 600*1000	£400,02	1155	3938,55	4994
	PN2160120EN0093	Standard Line Radiator Type 21 600*1200	£474,32	1386	4726,26	5993
	PN2160140EN0093	Standard Line Radiator Type 21 600*1400	£549,28	1617	5513,97	6992
	PN2160160EN0093	Standard Line Radiator Type 21 600*1600	£623,82	1848	6301,68	7991
	PN2160180EN0093	Standard Line Radiator Type 21 600*1800	£712,44	2079	7089,39	8989
PN2160200EN0093	Standard Line Radiator Type 21 600*2000	£785,40	2310	7877,1	9988	



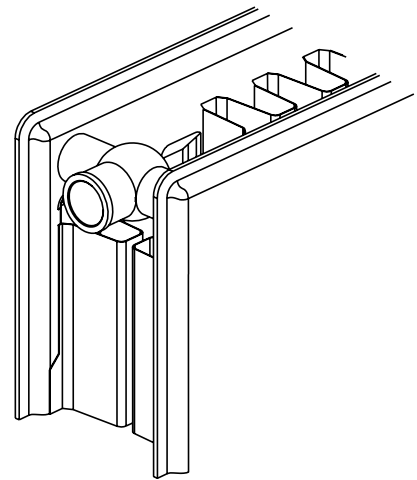
DIMENSIONAL FEATURES

Type	Nominal Size (mm)	Center of Distance (mm)	Width (mm)	Length Min. - Max. (mm)	Water Content (L/m)
21 PKP	300	245	70	400 - 3000	3,78
	400	345	70	400 - 3000	4,79
	500	445	70	400 - 3000	5,79
	600	545	70	400 - 3000	6,8
	700	645	70	400 - 3000	7,93
	900	845	70	400 - 3000	10,2



L	400	500	600	700	800	900	1000	1100	1200	1300	1400	1500	1600	1700	1800	1900	2000	2100	2200	2300	2400	2500	2600	2700	2800	2900	3000
L1	132	232	332	432	532	632	732	832	932	1032	1132	1232	1332	1432	1532	1632	1732	1832	1932	2032	2132	2232	2332	2432	2532	2632	2732
L2															766	816	866	916	966	1016	1066	1116	1166	1216	1266	1316	1366

Standart Flat & Line Radiator Type 22



Width (mm)	105
Height (mm)	300-400-500-600-700-900
Length (mm)	400-3000

Interval for length [Lengths (mm)]	Lengths produced at 100 mm intervals	: [400 - 500 - 600 - 700 - 800 - 900 - 1000 - 1100 - 1200 - 1300 - 1400 - 1500 - 1600]
	Lengths produced at 200 mm intervals	: [1800 - 2000 - 2200 - 2400 - 2600 - 2800 - 3000]

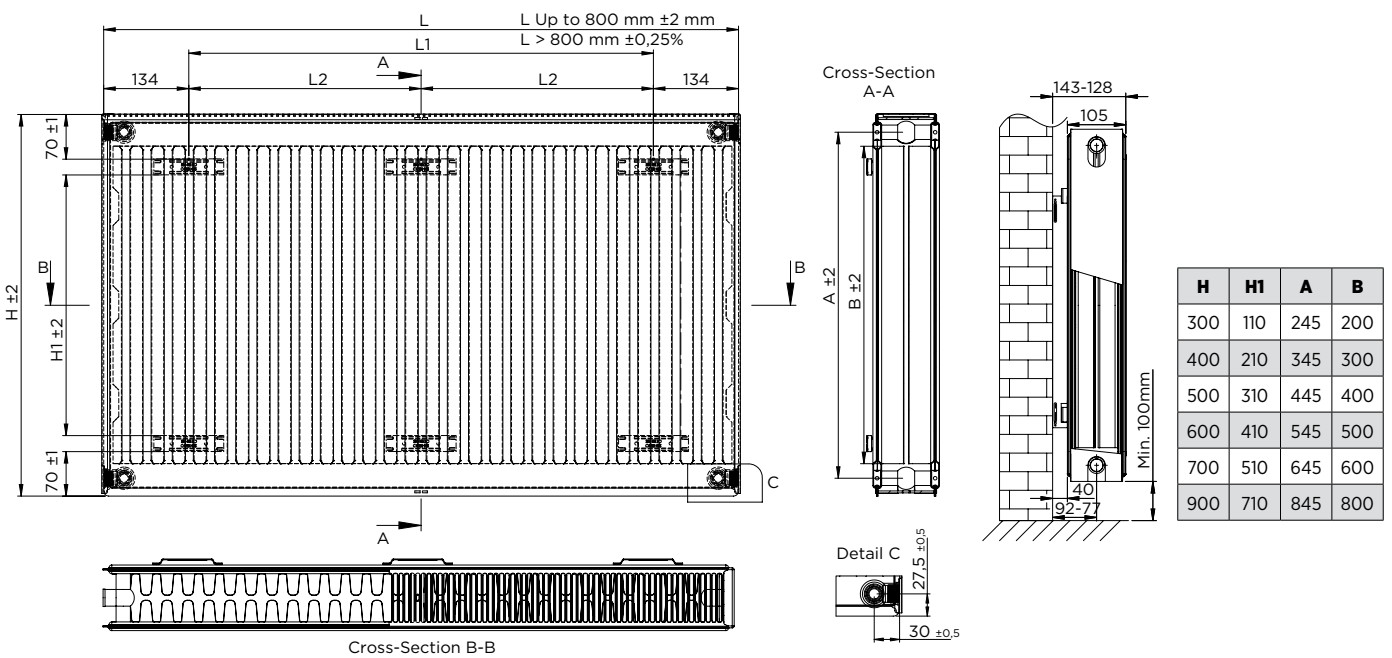
	Product Code	Description	Price (Exc.Vat)	Watt	BTU ($\Delta T = 50$)	BTU ($\Delta T = 60$)
	FLAT	PN2230060FN0093	STANDARD FLAT RADIATOR TYPE 22 300*0600	£123,12	500	1705
PN2230100FN0093		STANDARD FLAT RADIATOR TYPE 22 300*1000	£213,24	834	2844	3606
PN2230120FN0093		STANDARD FLAT RADIATOR TYPE 22 300*1200	£250,73	1001	3413	4328
PN2230140FN0093		STANDARD FLAT RADIATOR TYPE 22 300*1400	£288,57	1168	3983	5050
PN2240040FN0093		STANDARD FLAT RADIATOR TYPE 22 400*0400	£224,80	429	1463	1855
PN2240060FN0093		STANDARD FLAT RADIATOR TYPE 22 400*0600	£169,68	643	2193	2780
PN2240080FN0093		STANDARD FLAT RADIATOR TYPE 22 400*0800	£218,08	858	2926	3710
PN2240100FN0093		STANDARD FLAT RADIATOR TYPE 22 400*1000	£266,69	1072	3656	4635
PN2240120FN0093		STANDARD FLAT RADIATOR TYPE 22 400*1200	£315,09	1286	4385	5561
PN2240140FN0093		STANDARD FLAT RADIATOR TYPE 22 400*1400	£369,76	1501	5118	6490
PN2240160FN0093		STANDARD FLAT RADIATOR TYPE 22 400*1600	£412,25	1643	5793	7370
PN2250040FN0093		STANDARD FLAT RADIATOR TYPE 22 500*0400	£149,81	524	1787	2266
PN2250060FN0093		STANDARD FLAT RADIATOR TYPE 22 500*0600	£205,03	786	2680	3399
PN2250080FN0093		STANDARD FLAT RADIATOR TYPE 22 500*0800	£265,29	1048	3574	4531
PN2250100FN0093		STANDARD FLAT RADIATOR TYPE 22 500*1000	£325,33	1310	4467	5664
PN2250120FN0093		STANDARD FLAT RADIATOR TYPE 22 500*1200	£386,01	1572	5361	6797
PN2250140FN0093		STANDARD FLAT RADIATOR TYPE 22 500*1400	£445,99	1834	6254	7930
PN2250160FN0093		STANDARD FLAT RADIATOR TYPE 22 500*1600	£506,10	2096	7147	9063
PN2260040FN0093		STANDARD FLAT RADIATOR TYPE 22 600*0400	£175,60	619	2111	2676
PN2260060FN0093		STANDARD FLAT RADIATOR TYPE 22 600*0600	£241,90	929	3168	4017
PN2260080FN0093		STANDARD FLAT RADIATOR TYPE 22 600*0800	£315,26	1238	4222	5353
PN2260100FN0093		STANDARD FLAT RADIATOR TYPE 22 600*1000	£386,71	1548	5279	6693
PN2260120FN0093		STANDARD FLAT RADIATOR TYPE 22 600*1200	£458,97	1858	6336	8034
PN2260140FN0093		STANDARD FLAT RADIATOR TYPE 22 600*1400	£531,84	2167	7389	9370
PN2260160FN0093		STANDARD FLAT RADIATOR TYPE 22 600*1600	£604,31	2477	8447	10710
PN2260180FN0093		STANDARD FLAT RADIATOR TYPE 22 600*1800	£669,93	2786	9500	12046
PN2260200FN0093		STANDARD FLAT RADIATOR TYPE 22 600*2000	£736,07	3096	10557	13387

	Product Code	Description	Price (Exc.Vat)	Watt	BTU ($\Delta T = 50$)	BTU ($\Delta T = 60$)
	LINE	PN2230060EN0093	Standard Line Radiator Type 22 300*0600	£141,59	500	1705
PN2230100EN0093		Standard Line Radiator Type 22 300*1000	£245,22	834	2843,94	3606
PN2230120EN0093		Standard Line Radiator Type 22 300*1200	£288,34	1001	3413,41	4328
PN2230140EN0093		Standard Line Radiator Type 22 300*1400	£331,86	1168	3982,88	5050
PN2240040EN0093		Standard Line Radiator Type 22 400*0400	£258,52	429	1462,89	1855
PN2240060EN0093		Standard Line Radiator Type 22 400*0600	£195,13	643	2192,63	2780
PN2240080EN0093		Standard Line Radiator Type 22 400*0800	£250,79	858	2925,78	3710
PN2240100EN0093		Standard Line Radiator Type 22 400*1000	£306,69	1072	3655,52	4635
PN2240120EN0093		Standard Line Radiator Type 22 400*1200	£362,35	1286	4385,26	5561
PN2240140EN0093		Standard Line Radiator Type 22 400*1400	£425,23	1501	5118,41	6490
PN2240160EN0093		Standard Line Radiator Type 22 400*1600	£474,08	1643	5793,63	7370
PN2250040EN0093		Standard Line Radiator Type 22 500*0400	£172,28	524	1786,84	2266
PN2250060EN0093		Standard Line Radiator Type 22 500*0600	£235,79	786	2680,26	3399
PN2250080EN0093		Standard Line Radiator Type 22 500*0800	£305,09	1048	3573,68	4531
PN2250100EN0093		Standard Line Radiator Type 22 500*1000	£374,13	1310	4467,1	5664
PN2250120EN0093		Standard Line Radiator Type 22 500*1200	£443,91	1572	5360,52	6797
PN2250140EN0093		Standard Line Radiator Type 22 500*1400	£512,89	1834	6253,94	7930
PN2250160EN0093		Standard Line Radiator Type 22 500*1600	£582,01	2096	7147,36	9063
PN2260040EN0093		Standard Line Radiator Type 22 600*0400	£201,94	619	2110,79	2676
PN2260060EN0093		Standard Line Radiator Type 22 600*0600	£278,18	929	3167,89	4017
PN2260080EN0093		Standard Line Radiator Type 22 600*0800	£362,55	1238	4221,58	5353
PN2260100EN0093		Standard Line Radiator Type 22 600*1000	£444,72	1548	5278,68	6693
PN2260120EN0093		Standard Line Radiator Type 22 600*1200	£527,81	1858	6335,78	8034
PN2260140EN0093		Standard Line Radiator Type 22 600*1400	£611,62	2167	7389,47	9370
PN2260160EN0093		Standard Line Radiator Type 22 600*1600	£694,95	2477	8446,57	10710
PN2260180EN0093		Standard Line Radiator Type 22 600*1800	£770,41	2786	9500,26	12046
PN2260200EN0093		Standard Line Radiator Type 22 600*2000	£846,48	3096	10557,36	13387



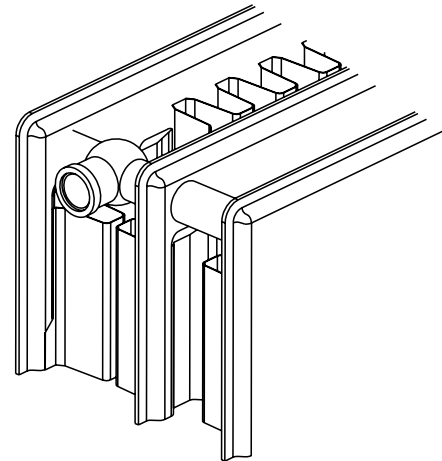
DIMENSIONAL FEATURES

Type	Nominal Size (mm)	Center of Distance (mm)	Width (mm)	Length Min. - Max. (mm)	Water Content (L/m)
22 PKKP	300	245	105	400 - 3000	3,78
	400	345	105	400 - 3000	4,79
	500	445	105	400 - 3000	5,79
	600	545	105	400 - 3000	6,8
	700	645	105	400 - 3000	7,93
	900	845	105	400 - 3000	10,2



L	400	500	600	700	800	900	1000	1100	1200	1300	1400	1500	1600	1700	1800	1900	2000	2100	2200	2300	2400	2500	2600	2700	2800	2900	3000
L1	132	232	332	432	532	632	732	832	932	1032	1132	1232	1332	1432	1532	1632	1732	1832	1932	2032	2132	2232	2332	2432	2532	2632	2732
L2															766	816	866	916	966	1016	1066	1116	1166	1216	1266	1316	1366

Standart Flat & Line Radiator Type 33



Width (mm)	160
Height (mm)	300-400-500-600-700-900
Length (mm)	400-3000

Interval for length [Lengths (mm)]	Lengths produced at 100 mm intervals	: [400 - 500 - 600 - 700 - 800 - 900 - 1000 - 1100 - 1200 - 1300 - 1400 - 1500 - 1600]
	Lengths produced at 200 mm intervals	: [1800 - 2000 - 2200 - 2400 - 2600 - 2800 - 3000]

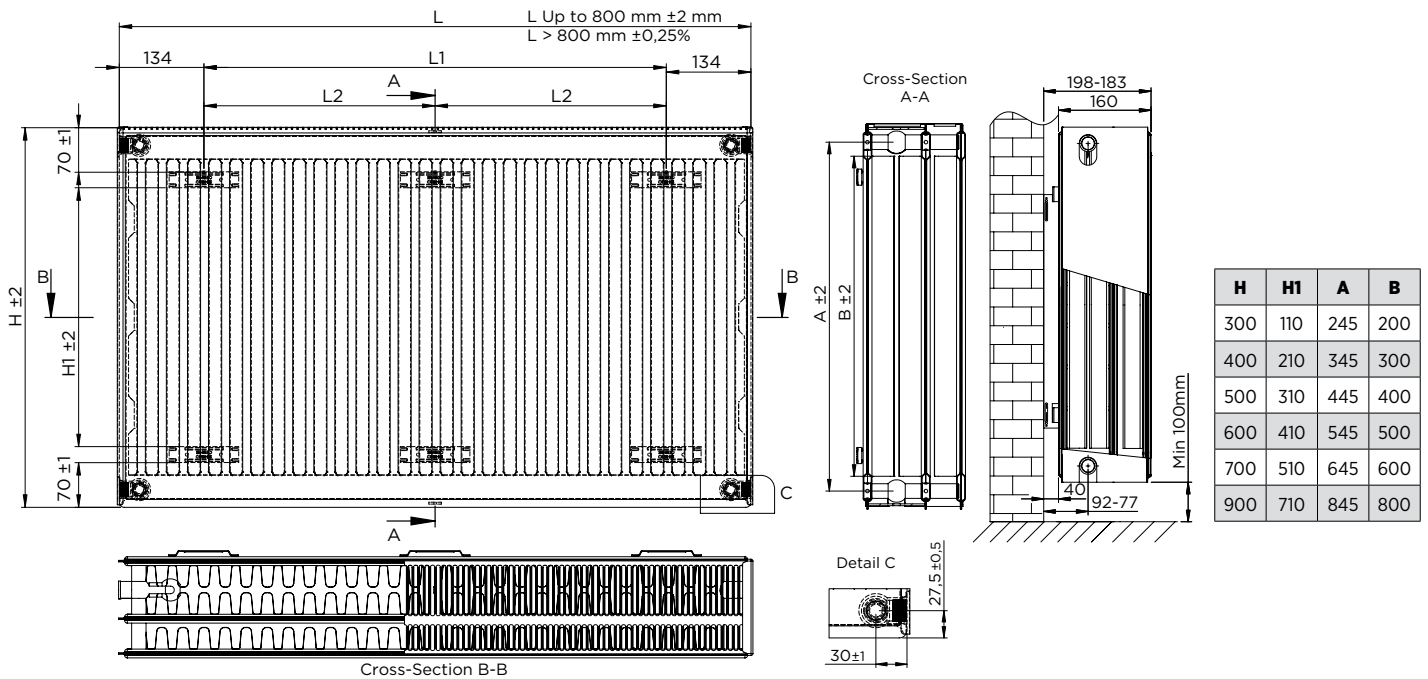
	Product Code	Description	Price (Exc.Vat)	Watt	BTU ($\Delta T = 50$)	BTU ($\Delta T = 60$)
FLAT	PN3330060FN0093	Standard Flat Radiator Type 33 300*0600	£221,62	724	2469	3130
	PN3330100FN0093	Standard Flat Radiator Type 33 300*1000	£383,83	1206	4112	5215
	PN3330120FN0093	Standard Flat Radiator Type 33 300*1200	£451,31	1447	4934	6257
	PN3330140FN0093	Standard Flat Radiator Type 33 300*1400	£519,43	1688	5756	7299
	PN3340040FN0093	Standard Flat Radiator Type 33 400*0400	£404,64	618	2107	2672
	PN3340060FN0093	Standard Flat Radiator Type 33 400*0600	£305,43	927	3161	4008
	PN3340080FN0093	Standard Flat Radiator Type 33 400*0800	£392,54	1236	4215	5344
	PN3340100FN0093	Standard Flat Radiator Type 33 400*1000	£480,04	1545	5268	6680
	PN3340120FN0093	Standard Flat Radiator Type 33 400*1200	£567,15	1854	6322	8016
	PN3340140FN0093	Standard Flat Radiator Type 33 400*1400	£665,58	2163	7376	9353
	PN3340160FN0093	Standard Flat Radiator Type 33 400*1600	£742,04	2472	8430	10689
	PN3350040FN0093	Standard Flat Radiator Type 33 500*0400	£269,65	754	2571	3260
	PN3350060FN0093	Standard Flat Radiator Type 33 500*0600	£369,06	1130	3853	4886
	PN3350080FN0093	Standard Flat Radiator Type 33 500*0800	£477,53	1507	5139	6516
	PN3350100FN0093	Standard Flat Radiator Type 33 500*1000	£585,60	1884	6424	8146
	PN3350120FN0093	Standard Flat Radiator Type 33 500*1200	£694,82	2261	7710	9776
	PN3350140FN0093	Standard Flat Radiator Type 33 500*1400	£802,79	2638	8996	11406
	PN3350160FN0093	Standard Flat Radiator Type 33 500*1600	£910,98	3014	10278	13032
	PN3360040FN0093	Standard Flat Radiator Type 33 600*0400	£316,09	889	3031	3844
	PN3360060FN0093	Standard Flat Radiator Type 33 600*0600	£435,42	1334	4549	5768
	PN3360080FN0093	Standard Flat Radiator Type 33 600*0800	£567,46	1778	6063	7688
	PN3360100FN0093	Standard Flat Radiator Type 33 600*1000	£696,08	2223	7580	9612
	PN3360120FN0093	Standard Flat Radiator Type 33 600*1200	£826,14	2668	9098	11536
	PN3360140FN0093	Standard Flat Radiator Type 33 600*1400	£957,32	3112	10612	13456
	PN3360160FN0093	Standard Flat Radiator Type 33 600*1600	£1.087,75	3557	12129	15380
	PN3360180FN0093	Standard Flat Radiator Type 33 600*1800	£1.205,87	4001	13643	17300
PN3360200FN0093	Standard Flat Radiator Type 33 600*2000	£1.324,92	4446	15161	19224	

	Product Code	Description	Price (Exc.Vat)	Watt	BTU ($\Delta T = 50$)	BTU ($\Delta T = 60$)
LINE	PN3330060EN0093	Standard Line Radiator Type 33 300*0600	£254,86	724	2468,84	3130
	PN3330100EN0093	Standard Line Radiator Type 33 300*1000	£441,40	1206	4112,46	5215
	PN3330120EN0093	Standard Line Radiator Type 33 300*1200	£519,01	1447	4934,27	6257
	PN3330140EN0093	Standard Line Radiator Type 33 300*1400	£597,35	1688	5756,08	7299
	PN3340040EN0093	Standard Line Radiator Type 33 400*0400	£465,33	618	2107,38	2672
	PN3340060EN0093	Standard Line Radiator Type 33 400*0600	£351,24	927	3161,07	4008
	PN3340080EN0093	Standard Line Radiator Type 33 400*0800	£451,42	1236	4214,76	5344
	PN3340100EN0093	Standard Line Radiator Type 33 400*1000	£552,05	1545	5268,45	6680
	PN3340120EN0093	Standard Line Radiator Type 33 400*1200	£652,23	1854	6322,14	8016
	PN3340140EN0093	Standard Line Radiator Type 33 400*1400	£765,41	2163	7375,83	9353
	PN3340160EN0093	Standard Line Radiator Type 33 400*1600	£853,35	2472	8429,52	10689
	PN3350040EN0093	Standard Line Radiator Type 33 500*0400	£310,10	754	2571,14	3260
	PN3350060EN0093	Standard Line Radiator Type 33 500*0600	£424,42	1130	3853,3	4886
	PN3350080EN0093	Standard Line Radiator Type 33 500*0800	£549,16	1507	5138,87	6516
	PN3350100EN0093	Standard Line Radiator Type 33 500*1000	£673,44	1884	6424,44	8146
	PN3350120EN0093	Standard Line Radiator Type 33 500*1200	£799,04	2261	7710,01	9776
	PN3350140EN0093	Standard Line Radiator Type 33 500*1400	£923,21	2638	8995,58	11406
	PN3350160EN0093	Standard Line Radiator Type 33 500*1600	£1.047,63	3014	10277,74	13032
	PN3360040EN0093	Standard Line Radiator Type 33 600*0400	£363,50	889	3031,49	3844
	PN3360060EN0093	Standard Line Radiator Type 33 600*0600	£500,73	1334	4548,94	5768
	PN3360080EN0093	Standard Line Radiator Type 33 600*0800	£652,58	1778	6062,98	7688
	PN3360100EN0093	Standard Line Radiator Type 33 600*1000	£800,50	2223	7580,43	9612
	PN3360120EN0093	Standard Line Radiator Type 33 600*1200	£950,07	2668	9097,88	11536
	PN3360140EN0093	Standard Line Radiator Type 33 600*1400	£1.100,91	3112	10611,92	13456
	PN3360160EN0093	Standard Line Radiator Type 33 600*1600	£1.250,91	3557	12129,37	15380
	PN3360180EN0093	Standard Line Radiator Type 33 600*1800	£1.386,75	4001	13643,41	17300
PN3360200EN0093	Standard Line Radiator Type 33 600*2000	£1.523,66	4446	15160,86	19224	



DIMENSIONAL FEATURES

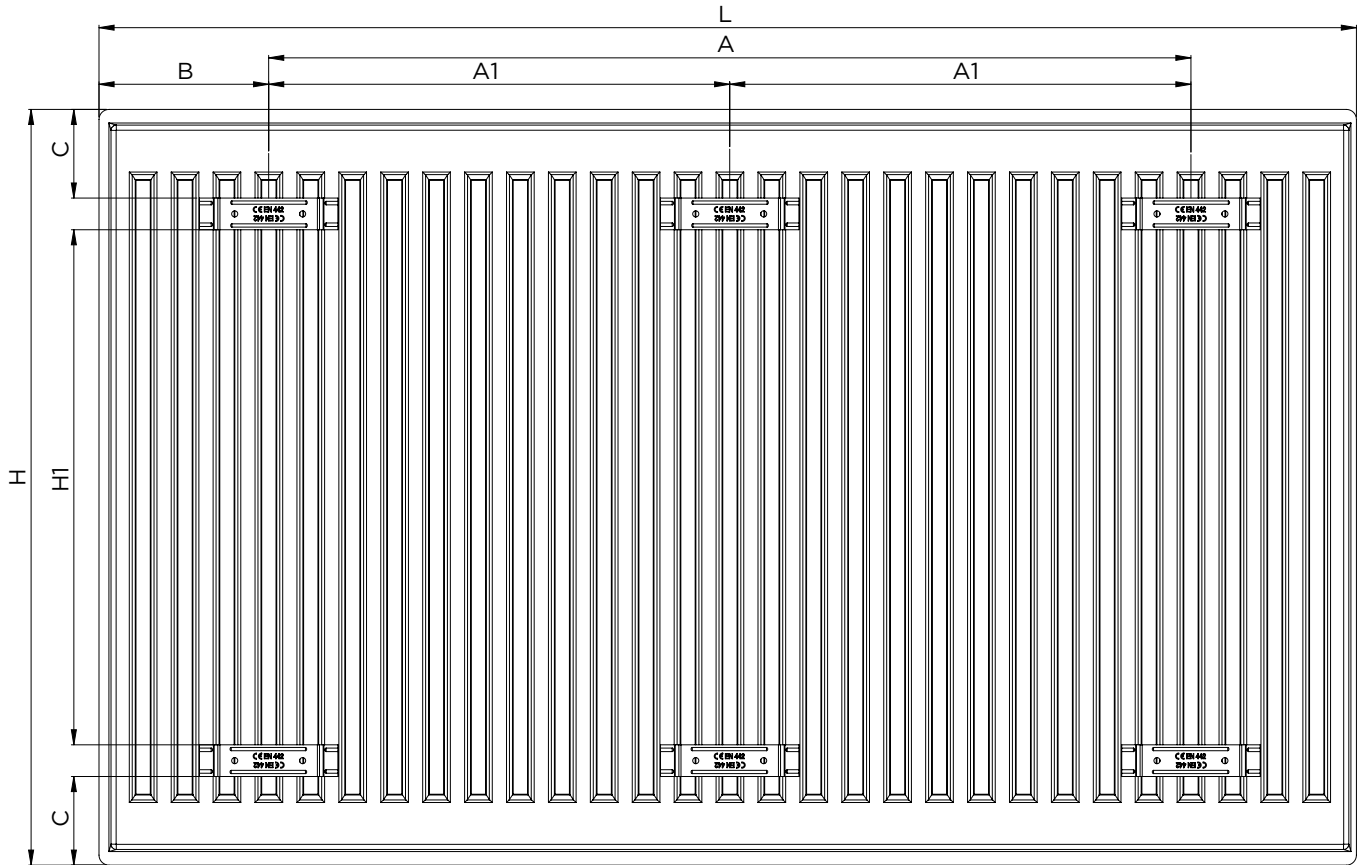
Type	Nominal Size (mm)	Center of Distance (mm)	Width (mm)	Length Min. - Max. (mm)	Water Content (L/m)
33 DKEK	300	245	160	400 - 3000	5,65
	400	345	160	400 - 3000	7,11
	500	445	160	400 - 3000	8,58
	600	545	160	400 - 3000	10,04
	700	645	105	400 - 3000	11,71
	900	845	160	400 - 3000	15,19



H	H1	A	B
300	110	245	200
400	210	345	300
500	310	445	400
600	410	545	500
700	510	645	600
900	710	845	800

L	400	500	600	700	800	900	1000	1100	1200	1300	1400	1500	1600	1700	1800	1900	2000	2100	2200	2300	2400	2500	2600	2700	2800	2900	3000
L1	132	232	332	432	532	632	732	832	932	1032	1132	1232	1332	1432	1532	1632	1732	1832	1932	2032	2132	2232	2332	2432	2532	2632	2732
L2															766	816	866	916	966	1016	1066	1116	1166	1216	1266	1316	1366

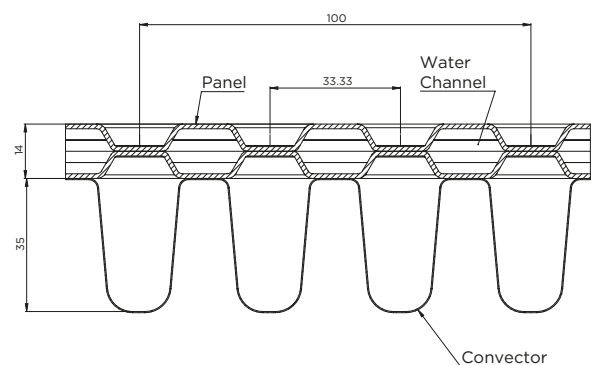
Horizontal Panel Dimensions



L (mm)	A (mm)	B (mm)	C (mm)	A1 (mm)	Number of Hangers
400	132	134	70		4
500	232	134	70		4
600	332	134	70		4
700	432	134	70		4
800	532	134	70		4
900	632	134	70		4
1000	732	134	70		4
1100	832	134	70		4
1200	932	134	70		4
1300	1032	134	70		4
1400	1132	134	70		4
1500	1232	134	70		4
1600	1332	134	70		4
1800		134	70	766	6
2000		134	70	866	6
2200		134	70	966	6
2400		134	70	1066	6
2600		134	70	1166	6
2800		134	70	1266	6
3000		134	70	1366	6







Radiator Height	H1 (mm)
300	110
400	210
500	310
600	410
700	510
900	710

Radiator Section Detail





Accessories

<p>Spring Console</p>	<p>Floor Connection Components</p>	<p>L Console Set</p>
		
<p>Thermostatic Valve Insert</p>	<p>Thermostatic Valve</p>	<p>Radiator Valve</p>
 <p>Brand: Danfoss Danfoss Code: 013G1382 Connection thread: G 1/2</p> <p>Integrated valve, type RA-N (013G1382), with built-in presetting are designed for incorporation into valve radiators.</p>	 <p>Brand: HEIMEIER Article No: 4360 Connection thread: G 1/2</p> <p>The thermostatic insert VHV8S with the Article No:4360 feature 8 infinitely variable presetting/ finest presetting values.</p>	
<p>Size of thermostatic adjustment element: M30 x 1.5</p>		

All descriptions and illustrations provided in this document have been carefully prepared but we reserve the right to make changes and improvements in our products which may affect the accuracy of the information contained in this leaflet. All goods are sold subject to our standard Conditions of Sale which are available on request.

Vertical Decorative Panel Radiators



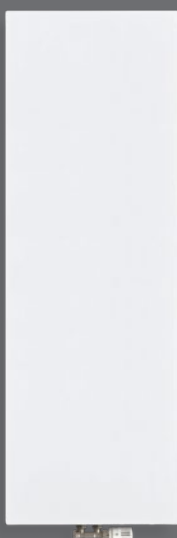
Test Pressure 13 bar	Max. Operation Pressure 10 bar	Max. Water Temperature 110 °C	Warranty 10 years	Number of Connection 4xDIN 6xDIN G 1/2
-----------------------------------	---	--	--------------------------------	---

Best for Limited Spaces

Warmhaus Vertical Radiators are the best solution for small spaces because they only occupy the height of the space. They are available as a standard panel, as well as flat, transverse, longitudinal striped and color options. In addition to being a decorative object, they also have high heat output levels.

- Extensive color and design alternatives
- Possibility for customization with flat and horizontal lines
- Vertical positioning alternative in order to optimal use of space

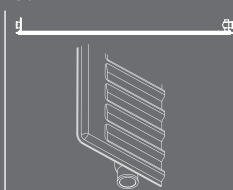
Flat



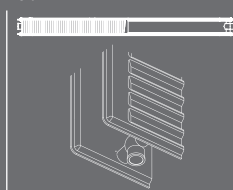
Line



Type 10



Type 20

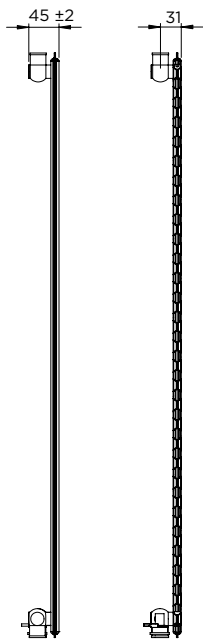
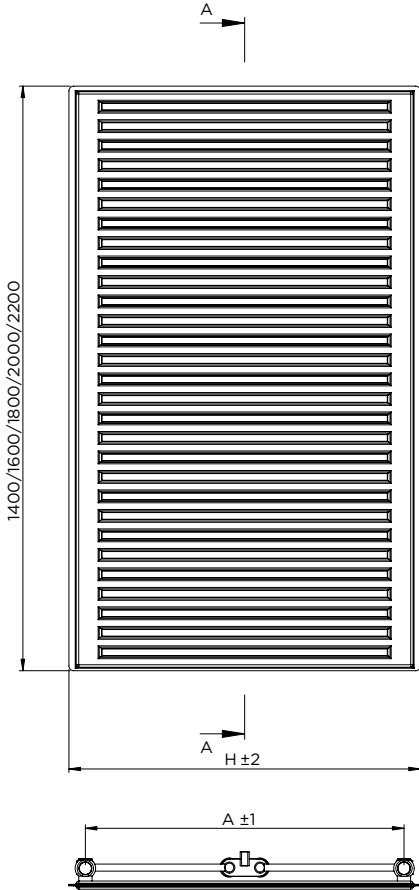


Width (mm)	45 ±2	71 ±2
Height (mm)	1600-2400	1600-2400
Length (mm)	400-500-600	400-500-600

	Product Code	Description	Price (Exc.Vat)	Watt	BTU (ΔT =50)	BTU (ΔT =60)
FLAT TYPE 10	PN1030180VF0093	Vertical Flat Radiator Type 10 300*1800	£309,42	518	1766,38	2240
	PN1040180VF0093	Vertical Flat Radiator Type 10 400*1800	£408,26	648	2209,68	2802
	PN1050180VF0093	Vertical Flat Radiator Type 10 500*1800	£449,33	576	1964,16	2491
	PN1060180VF0093	Vertical Flat Radiator Type 10 600*1800	£503,26	901	3072,41	3896
FLAT TYPE 20	PN2030180VF0093	Vertical Flat Radiator Type 20 300*1800	£490,15	631	2151,71	2728
	PN2040180VF0093	Vertical Flat Radiator Type 20 400*1800	£578,94	810	2762,1	3502
	PN2050180VF0093	Vertical Flat Radiator Type 20 500*1800	£718,82	990	3375,9	4281
	PN2060180VF0093	Vertical Flat Radiator Type 20 600*1800	£817,32	1170	3989,7	5059
LINE TYPE 10	PN1030180VL0093	Vertical Line Radiator Type 10 300*1800	£355,83	518	1766,38	2240
	PN1040180VL0093	Vertical Line Radiator Type 10 400*1800	£469,50	648	2209,68	2802
	PN1050180VL0093	Vertical Line Radiator Type 10 500*1800	£516,73	576	1964,16	2491
	PN1060180VL0093	Vertical Line Radiator Type 10 600*1800	£578,75	901	3072,41	3896
LINE TYPE 20	PN2030180VL0093	Vertical Line Radiator Type 20 300*1800	£563,67	631	2151,71	2728
	PN2040180VL0093	Vertical Line Radiator Type 20 400*1800	£665,79	810	2762,1	3502
	PN2050180VL0093	Vertical Line Radiator Type 20 500*1800	£826,64	990	3375,9	4281
	PN2060180VL0093	Vertical Line Radiator Type 20 600*1800	£939,91	1170	3989,7	5059

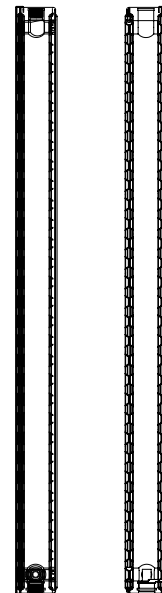
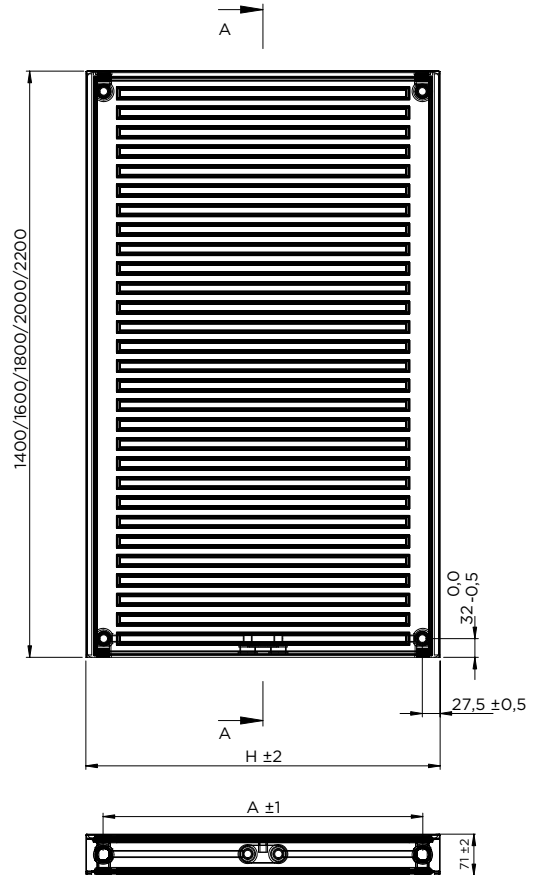
Vertical Panel Dimensions

**Type 10
Vertical Panel**



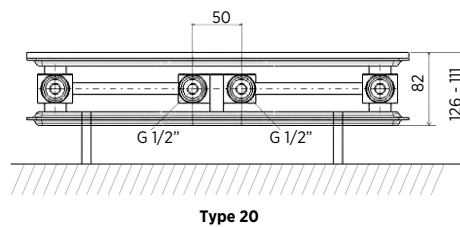
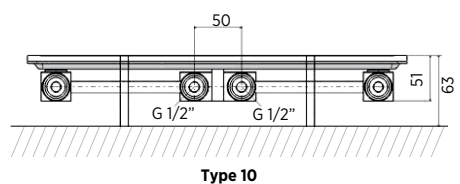
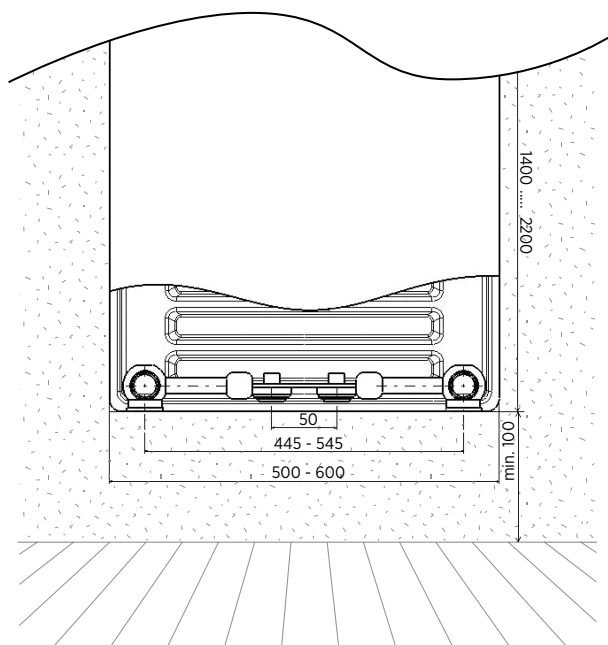
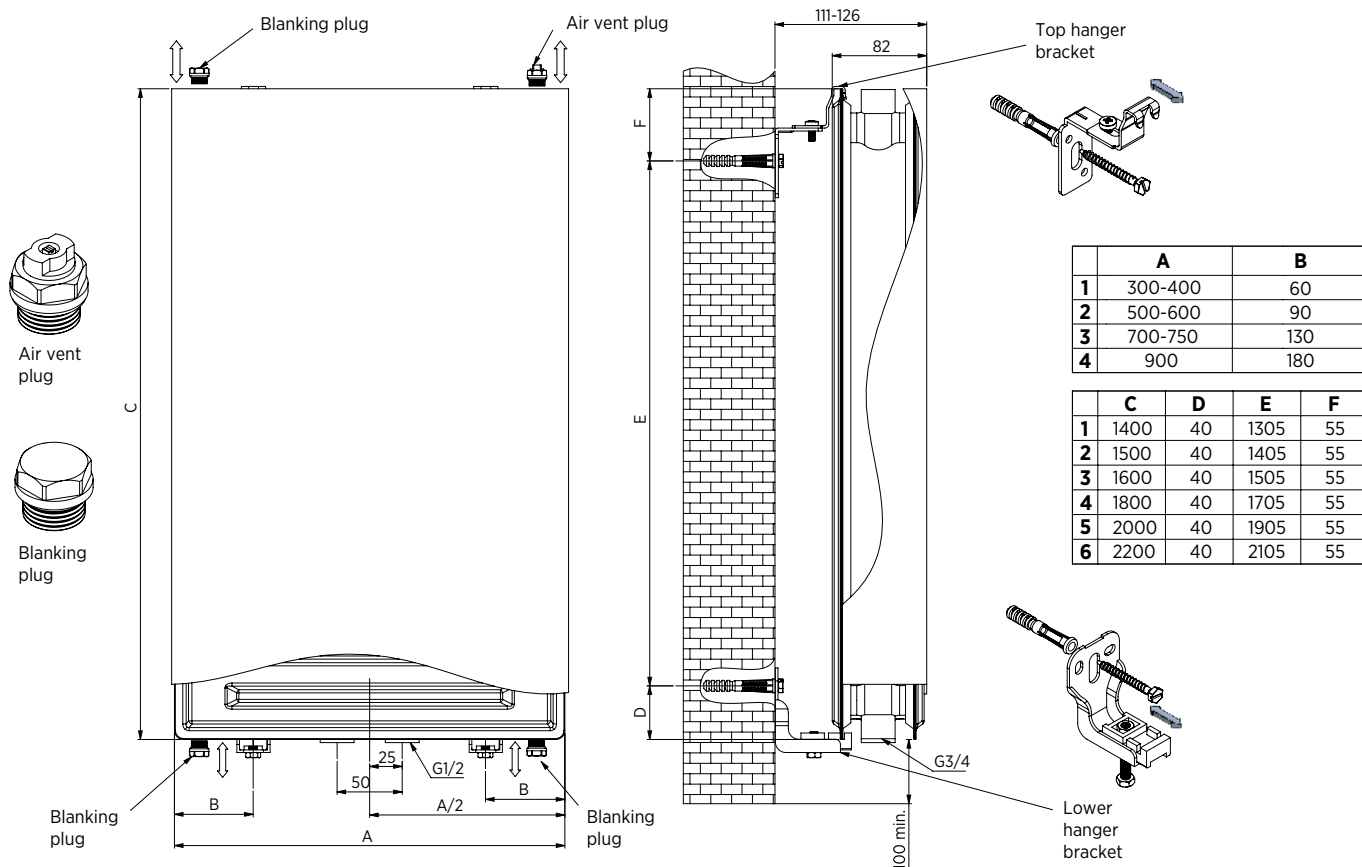
Cross-Section
A-A

**Type 20
Vertical Panel**



Cross-Section
A-A

H	300	400	500	600	700	900
A	245	345	445	545	645	845





Management Office

Nidakule Ataşehir Kuzey
Barbaros Mah. Begonya Sok.
No: 3 K: 19 D: 170-175
34746, Ataşehir / İstanbul / Türkiye

T +90 216 300 16 50

Factory

Taşpınar Mahallesi
TEKNOSAB 1. Cadde No: 12
16700, Karacabey / Bursa / Türkiye

T +90 224 295 94 00

F +90 224 411 23 77

United Kingdom (Subsidiary)

Unit 7, St Martins Business Centre
St Martins Way, Bedford MK42 0LF, England

T +44 207 164 6233

F +44 207 000 1336