

FRANKE



**COLLE
CTIONS
2023**

A Great Performance Deserves a Great Stage



THE SHOW IS HOME

FRANKE

COLLECTIONS 2023

FAMILIES

11	Mythos
17	Maris
21	Smart

PRODUCT CATEGORIES

	Undermount Bowls
36	Stainless Steel
61	Fragranite
72	Ceramic
	Inset Sinks
77	Stainless Steel
97	Fragranite
105	Tectonite
109	Ceramic
	Taps
119	Multifunction Taps
137	Designer Taps
151	Coloured Taps
169	Standard taps
	Hoods
181	Hob Extractors
193	Hoods
	Appliances
270	Ovens
283	Coffee Machine
287	Wine Cooler
289	Gas Hobs
295	Induction Hobs
301	Waste Management System
309	Kitchen Solutions

Years of experience, yet still as curious as children.

At Franke, we have been looking for new solutions and innovations for over 100 years and our attitude has still not changed. In 1911 we combined traditional craftsmanship, precision engineering and a constant pursuit of innovation, three principles that remain at our core.



A story forged in Swiss precision

Our story began at the beginning of the last century as a small sheet-metal business in Rorschach, Switzerland, established by Hermann Franke. Since then, we opened up to the world and inaugurated manufacturing facilities all around the globe that led us to become leaders in the kitchen sinks segment, and home solutions altogether.





“ We believe that sustainability means fairness to future generations ”

Shaping our future

Preserving the environment, shaping the future.

As a company conscious of our responsibilities, we think and act today in the interests of the world of tomorrow. We work hand in hand with our partners, customers and suppliers to create a future where people can not only live but also thrive.

“We believe that sustainability means fairness to future generations” – this quote from Michael Pieper, owner of the Franke Group encapsulates our company ideals. We reconcile economics and ecology and make a proactive contribution towards sustainable development – with long-lasting products, recyclable materials and smart technologies. We use the global sustainable development goals and the United Nations Global Compact (UNGC) as a guide and framework on the path to a climate-neutral future.

Putting people at the heart of our sustainability

The foundation of our new sustainability strategy rests on the three pillars of the environment, employees and the company. When it comes to environment, we focus on the production and lifecycles of our products.

As the market leader, creating reliable and innovative solutions with real added value is both a challenge and a source of motivation.

This exceptional quality enables customers to use our products for more than two decades – conserving resources in the process. We also feel an immense responsibility towards our employees, of which there are approximately 8700 around the world. Words like appreciation and trust aren't just empty phrases to us, they're deeply embedded in our company's DNA. We help people to stay healthy and to make their professional aspirations a reality. Franke is synonymous with diversity, equal opportunities, cohesion and a company culture where people want to give their best and contribute their own ideas.

Good for everyone!

Good for our partners and customers.

Good for the planet. Good work.

We believe that sustainability means planning ahead.

We see environmental action as an opportunity and this attitude is also reflected in Franke's products.



Less plastic and less waste

Plastic bottles have a particularly stark effect on the environment – around the world, over 1500 bottles end up in the sea every second, with our Vital filter tap, the capsule filter combines activated carbon and a high-tech membrane to reliably remove bacteria, viruses, microplastic, rust, medication residues and hormones. Customers are therefore guaranteed clean drinking water which is equally good for their health and the environment.

Saving water has never been so easy

Another star in Franke's range of products is the Atlas Neo Sensor. This innovative technology allows you to switch the water flow off and back on again even when your hands are covered with soap – in a completely touch-free system. This saves around three litres of water every time you wash your hands and keeps the tap spotless. The sensor will switch off automatically after 30 seconds.



Clean air for maximum energy efficiency

Our hob extractors offer maximum energy efficiency. For example, the extremely powerful Mythos 2gether is classed in the best possible energy efficiency rating A+++ thanks to its innovative and brushless motor.

FRANKE

HOME SOLUTIONS

Solutions that work together

Our kitchens are places to live, we cook there, eat there, spend time together there, more often than not all at the same time. Having observed how we use our kitchens; we have developed home solutions rather than simple appliances. Our individual products work together in functional systems to enhance your life and thanks to the perfectly matching colours, designs and combinations, are also aesthetically pleasing to the eye. Easier to enjoy every moment.

Food preparation areas

Taps, sinks and waste management systems.

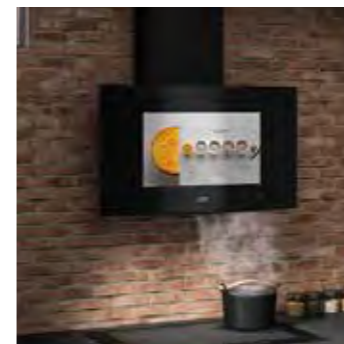
Award-winning, smart, eco-friendly taps perfectly complement elegant, spacious bowls that combined with accessories have everything you need, always at hand. All of the highest quality, highly durable and hygienic materials including our stainless steel or exclusive Fr granite.



Hoods

Wall, ceiling, built-in, island.

Every kitchen has their own specific requirements, so we created a range of hoods that have been designed for you with technology, efficiency, lighting and beautiful designs. Discover the available colours, shapes and unique technologies from built-in screens to air purifying systems.



Appliances

Ovens, microwaves, hobs.

When we design our appliances, we do so with you in mind, so that we can offer functional solutions that are easy to use, smart in their features and beautiful to look at.



Inspirations

There is no place like home, which is just as unique as we are. Each one with different tastes, preferences and needs. To help you get inspired and create the kitchen environment of your dreams, and to enjoy it every day, we developed three different **families** of products.

Mythos

A passion for the best

Our premium range. Technology meets design, while even the smallest details are carefully sought-after. This **family** sets its goal to the highest levels, combining the very essence of functionality with that of beauty.

Maris

Family in the kitchen

A **family** inspired by families. Cosy and functional, for savouring the heartwarming experience of a **family** get-together. Maris' philosophy is simple: welcome anyone, anytime with the pride and joy of a homemade dinner.

Smart

Straight to what matters

Essential in its perfection, to jump to what matters the most: bringing joy to your kitchen. A **family** created to fulfill any need and preference.

Your kitchen, your way, but however you bring joy home, **you can count on us.**





Mythos



Bowl: Mythos Masterpiece - BXM 110-68
Tap: Eos Neo - Pull Down Spray
Soap Dispenser: Atlas



Hob Extractor: Mythos 2gether - FMY 839 HI



Oven: Mythos - FMY 99 P XS
Coffee Machine: Mythos - FMY 45 CM XS
Wine Cooler: Mythos - FMY 24 WCR XS
Warming Drawer: Mythos - FMY 14 DRW XS

Mythos



Bowl: Kubus - KNG 110-62
Tap: Icon - Pull Out Spray



Oven: Mythos - FMY 98 P XS
Microwave: Mythos - FMY 45 MW XS
Coffee Machine: Mythos - FMY 45 CM XS
Warming Drawer: Mythos - FMY 14 DRW BK Black

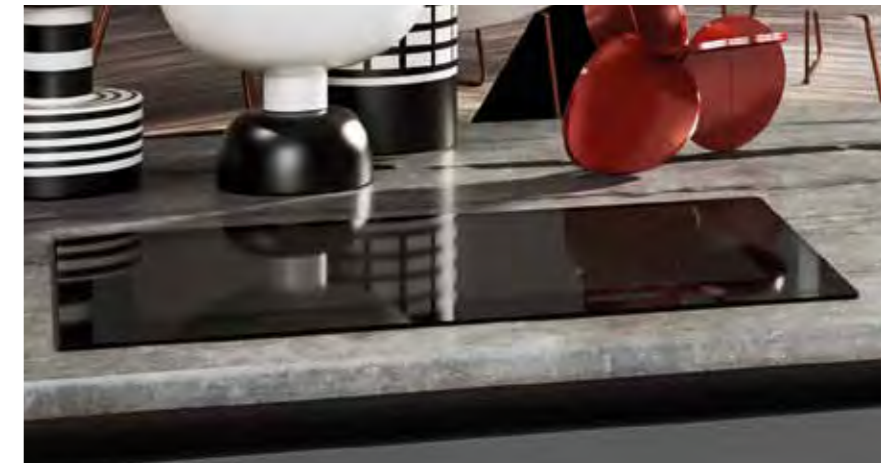


Hood: Mythos - T-Shelf

Mythos



Bowl: Mythos - MYX 210-70
Accessory: Rollamat
Tap: Vital - Semi-Pro
Soap Dispenser: Atlas



Hob: Mythos - FMY 658 I FP BK



Oven: Mythos - FMY 99 HS XS
Wine Cooler: Mythos - FMY 24 WCR XS
Warming Drawer: Mythos - FMY 14 DRW BK



Maris



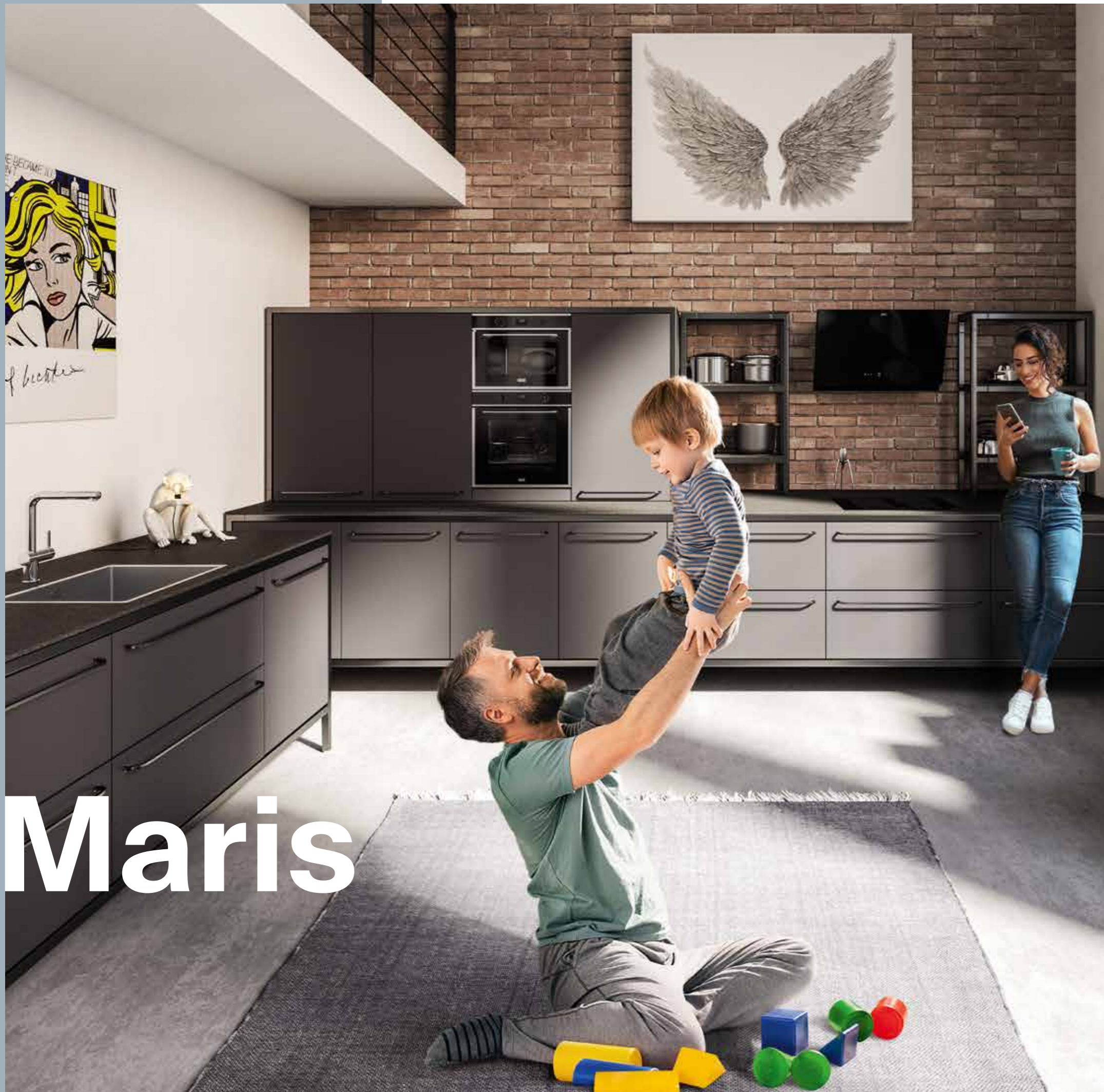
Bowl: Maris Black Collection - MRG 110-52
Tap: Active - Pull Out Spray
Soap Dispenser: Active



Extractor Hob: Maris 2gether - FMA 839 HI



Oven: Maris - FMA 97 P XS
Microwave: Maris - FMA 45 MW XS



Maris



Bowl: Maris - MRX 210-70
Tap: Active - Swivel Spout



Hood: Maris - FMA 807 BK
Hob: Maris - FMA 654 I FBK



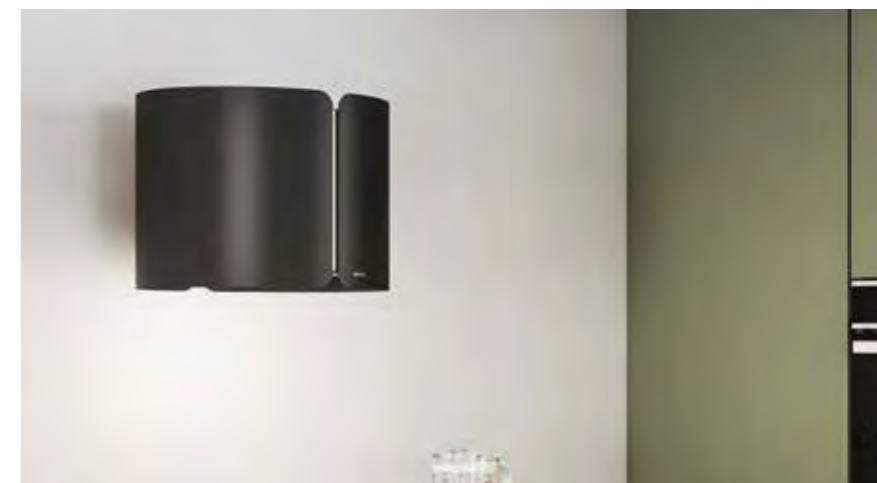
Smart



Bowl: Orion Tectonite in Polar White - OID 611-94



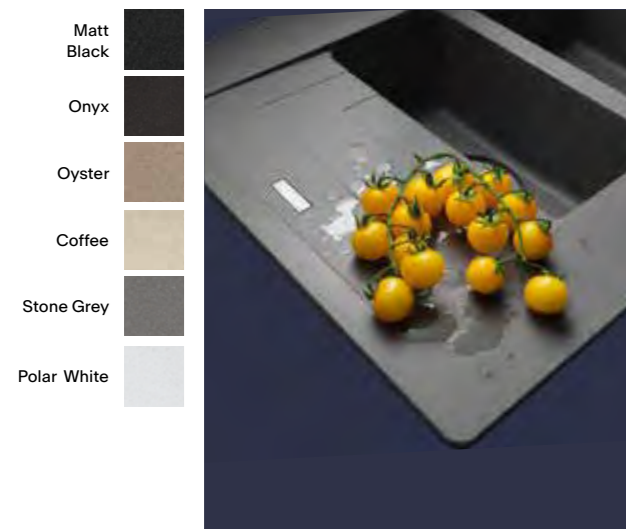
Hob Extractor: Smart 2gether - FMS 709 HI



Hood: Smart Wall- FSMS WALL F42 BK MATT

Choose a material that's right for you

Shiny or matt; smooth or stone-like, extra-strong or super trendy. Your kitchen can speak volumes about you, so every detail counts. To offer you the chance to create your very own perfect kitchen, our range of materials are designed to please any taste, match any style and resist any endeavor. Discover each material's precision-engineered character and unique benefits to choose the one that suits your needs.

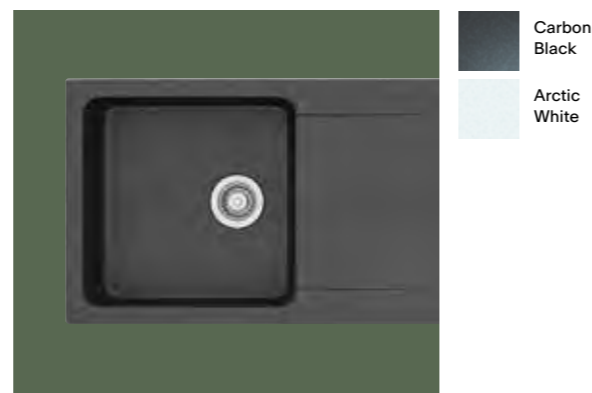


Fragranite

An exceptionally tough material, highly resistant to burns, dents, chips and stains. Pioneered by Franke, it's a unique material with a subtle sheen that is warm to the touch thanks to its 80% of granite. Also, Fraganite treated with Sanitized® reduces bacteria and microbe growth by 99%.

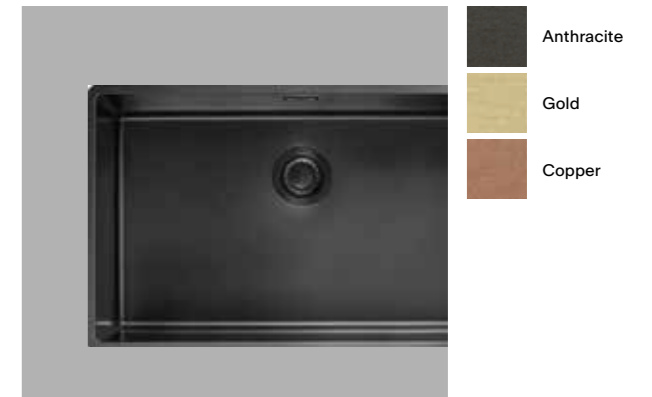
Tectonite

Heat, shock and impact combined with unique design freedom makes Tectonite sinks the ultimate choice for hardworking, stylish kitchens. New technology represents a giant leap forward for synthetic materials, whilst allowing for exciting minimalist designs.



F-Inox Technology

An exclusive Franke coating able to group water molecules and allowing you to dry your sink without ring stains. Manufactured with three layers: Stainless Steel, PVD coating and exclusive nano coating making it highly resistant to scratches, stains and heat up to 350°. It's easy to clean and dry, thanks to the lotus effect, it boasts hydrophobic and oleophobic qualities and has long-lasting durability. A real and long-lasting beauty formula that you can appreciate from our Masterpiece family.



Stainless Steel

Whether you prefer the more reflective qualities of the polished finish or the more subtle look of the silk or brushed finishes, which give a more matt sheen, there is a Stainless Steel solution for you. Any Franke Stainless Steel product is made from premium quality chrome nickel steel, which looks stunning and is highly resistant to staining, rust and corrosion - plus it won't chip, craze, flake, or break. If Stainless Steel is one of the most popular materials in the kitchen, it's for good reason.

PVD Coating

PVD, standing for 'Physical Vapor Deposition', is a coating technology that makes tapware even more resistant to abrasions, scratches and corrosion and offers exceptional aesthetic features as well. A tap treated with a PVD coating even resists UV rays and makes fingerprints less visible in a busy kitchen. Available in different finishes, with chrome remaining the most popular, there are now an array of other stunning finishes to choose from. From solid stainless steel, which combines beauty with durability, Industrial Black, Copper or Gold, you really can find something to suit every style of kitchen.



Ceramic

Ceramic sinks have a smooth, impervious surface, which stands up to heat, staining, impacts and resist to all standard household chemicals with ease. Ceramic sinks have been a popular choice for years and create a classic combination with a variety of work surfaces such as wood, glass and granite.

Select your perfect sink

The kitchen sink is seen as the heart of the kitchen, let your imagination run free with a range of options to help maximise space and accentuate the look of the room. The following information will help to ensure that your ideal sink is the perfect fit for your kitchen.

Inset sinks

Inset sinks are installed from above into a pre-prepared hole in your worktop. It gives you the widest range of sink shapes, sizes and styles to choose from.



Undermount sinks

Undermount sinks are installed underneath the worksurface and therefore require a solid surface worktop such as granite or wood. They are not compatible with laminate worksurfaces.



Belfast sinks

Belfast sinks can be used as either a freestanding feature with brackets or sit on top of base units.

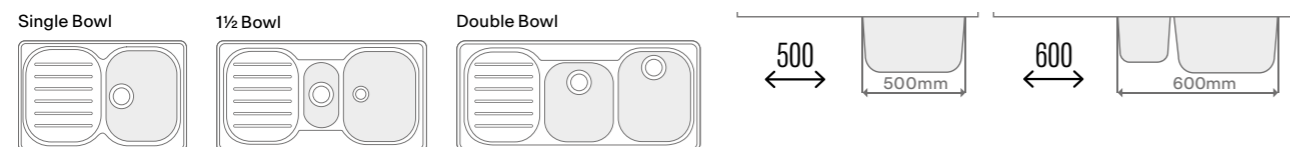


Measuring your cabinet width

It is essential to correctly measure the cabinet width where your sink will be installed. The bowl (or bowls) will need to fit into this space. Each sink in this brochure will show a cabinet size, and your cabinet width needs to be equal to or greater than the stated measurement.

Bowl and drainer configuration

The type and position of your bowl depends on how you intend to use your sink. If you like room to clean large items like grill pans, a larger single bowl may be best for you, or for a multi-functional purpose, you may prefer the versatility of two separate working bowls. The drainer location is also an important consideration. For many sinks you will need to choose the specific version you prefer – with the drainer on the left or right hand side. Conversely, other sinks are reversible which indicates the drainer can be positioned on either side.



LHD or RHD indicates whether the drainer on the sink is found to the left or to the right of the main bowl.
LHSB or RHSB for sinks without a drainer but with more than one bowl, this indicates which side the small bowl is positioned.

Plumbing kits



For all single bowl sinks: Siphon 1 Plumbing Kits **PRICE: £27**

For all 1.5 and double bowl sinks: Siphon 2 Plumbing Kits **PRICE: £39**

Franke Siphon Plumbing Kits are designed to assist in optimising the underside of the cabinet space and in many cases provided for better utilisation of under-sink storage, have a manifold with an incline and an air vent for faster water disposal, together with a unique Waste Disposal Unit connector on both models. Made of rigid grey polypropylene, these plumbing kits are the hygienic solution to a Franke sink waste system.

Franke Innovation



Hygienic Overflow

Many Franke sinks come with a Hygienic Overflow. Removal of the logo plate reveals the overflow aperture for hygienic cleaning.



Instant Boiling Water Taps

The electronically controlled Minerva 4-in-1 tap features a child safety function and filter warning light, while the Omni is the world's first mechanical 4-in-1 tap. See page 120.



Andy Chef

This compact holder includes a wooden chopping board, a professional chef knife and a strainer bowl and fits perfectly with our Box BXX range of sinks. See page 315.

Slimfix®

The Slimfix® technology has enabled Franke designers to reduce the width, depth and profile of the outer rim, resulting in a sink virtually flush with the worktop.



Active Twist

We've created a tap that works differently; with the ability to not only fill the sink but empty it. Alongside its stylish looks, we've incorporated an innovative special feature that links the tap and sink with a twist dial. See page 165.



Franke Rollamat

This handy accessory can be used to drain glasses or crockery, but also doubles as a trivet to protect the work surface from hot, heavy cookware straight from the oven, hob or grill.



Push-button pop-up waste

A patented push-button system from Franke, the pop-up waste enables you to conveniently empty the bowl without putting your hands in the sink.



Box Center

Kitchen accessories become part of the sink unit and easily accessible. These large bowls are available as inset/ flushmount and undermount options, see pages 45 and 81.

ROLLAMAT	COMPATIBLE SINKS	SIZE (mm)	FUN No.	PRICE
Mythos	MYX	267x424	112.0591.081	£95
Rollamat 30	BFG	298x410	112.0256.867	£95
Rollamat 36		361x330	112.0075.642	£95
Rollamat 40		400x400	112.0050.988	£95
Rollamat 42		468x420	112.0030.882	£95
Rollamat 44		468x440	112.0080.355	£95
Fresno	FSG	220x400	112.0520.938	£96

Taps worth talking about



Instant boiling water taps

Get instant 100°C water at your fingertips, straight from your kitchen tap, with Franke boiling water taps. Perfect for making drinks or getting meals underway in a flash, they combine safety, stylish design and cutting-edge technology.



Mixer taps

Our wonderful range spans the entire spectrum of design, from traditional to contemporary. Many have features to simplify meal preparation and kitchen tasks so that the everyday can become wonderful.



Filtered water taps

Our Vital and FilterFlow taps deliver hot, cold and filtered water in high style. No need to buy bottled water and you can even do your bit for the environment.

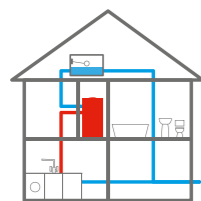
Check if you have high or low pressure water system

If your property has a low pressure water system you will need to check the flow rating of the taps before you make a purchase. If you install a tap with a low flow rating into a low pressure water system you may be disappointed with the flow of water from your tap. In these instances it will be difficult to achieve a suitable mixed flow of water through the tap as the cold mains water is delivered at a higher pressure and will overpower the weaker hot water pressure.

If you have a high pressure system in your home, such as a combi-boiler or pumped system, you should be able to choose from the full range of taps in our range. We recommend that your plumber or installer checks the water pressure in your home before making a purchase.

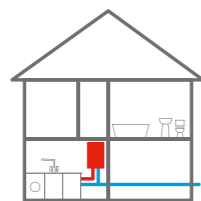


This symbol indicates the tap will work with a low pressure system, delivering at least 4 litres per minute of hot water at 0.3 bar pressure.



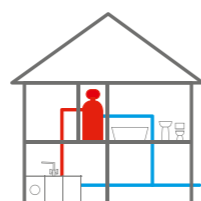
Low pressure (Gravity-fed system)

You have a cold water tank in your attic and a hot water tank in your airing cupboard. You should choose taps which state they are suitable for a low pressure system.



High pressure (Combi-boiler system)

You have a boiler unit but no hot water cylinder. The boiler unit is usually found in the kitchen and delivers hot water on demand. You should be able to choose from most of our taps.



High pressure (Pumped system)

You have a hot water cylinder with an expansion vessel on top (often called Megaflo), usually found in the airing cupboard, but you do not have a cold water tank. You should be able to choose any of our taps.

All prices are inclusive of VAT

Sinks

The sinks in the pictures do not have mixer holes. The exact position can be seen from the technical drawing next to the picture.

- STANDARD
- SLIM
- FLUSHMOUNT
- UNDERMOUNT
- UNDER-GLUED
- POP-UP SINK WASTE Removable remote control for opening and closing the drain. Check for the presence of a second hole.
- WASTE DISPOSER For easier disposal of wet waste. (Installation permitted subject to municipal regulations). Optional
- COMPLETE WITH ACCESSORIES Product supplied with accessories included.

Taps

- FILTERED WATER TAPS No need to buy bottled water and you can do your bit for the environment.
- INSTANT BOILING WATER TAPS Instant 100°C water perfect for making drinks or getting meals underway in a flash.
- TAP WILL WORK WITH LOW PRESSURE SYSTEMS. Delivering at least 4 litres per minute of hot water at 0.3 bar pressure.
- PULL OUT NOZZLE
- PULL OUT SPRAY
- SWIVEL SPOUT

Gas Hobs

- DUAL TRIPLE CROWN Thanks to the two concentric crowns, it is possible to select various degrees of flame intensity in accordance with cooking requirements.
- INTEGRATED ELECTRONIC IGNITION Gas ignition device integrated into the knob. Enables gas to be lit with no need for additional flames.
- CAST IRON GRILLS Solid and non-deformable cast iron grilles ensure a stable, robust support surface, as well as lending the hob an elegant, professional appearance.
- DUAL CROWN The flame is distributed across the two crowns, for rapid, even cooking.
- SAFETY VALVE An essential device that cuts off the gas flow in the event that the flame is accidentally extinguished.
- LOWERED COOKING SURFACE The cooker top and burners are recessed into the kitchen worktop, for the flattest possible surface.
- KNOBS Available in various finishes, the worktop knobs can be matched to the ovens, for a perfectly coordinated look.

Induction hobs

- BRIDGE/ FLEXI ZONE This function enables two cooking zones to be combined and used at the same level of power
- KEEP WARM This function keeps food hot after cooking so it can be served at the perfect temperature, and enables liquids to evaporate slowly.
- COOKASSIST/ SPECIAL FUNCTIONS With this function, the pre-set cooking modes can be activated, enabling the ideal power level to be selected, for perfect results every time.
- MELTING This function brings food to an ideal melting temperature without risk of burning
- BOILING This function brings water to the boil and keeps it at this temperature with less energy consumption.
- SIMMERING This function maintains a low temperature, enabling food to be cooked for long periods with no risk of burning. Ideal for long cooking times.
- GRILLING This function is designed for grilling food according to thickness. When the ideal temperature for adding the food is reached, the hob emits an acoustic signal. The hob then stabilises the desired temperature, keeping this constant.
- MOKA P A function designed for use with a moka coffee pot
- PAN FRYING Function for preheating an empty pan, or a pan containing seasoning

Ovens

- CONVENTIONAL COOKING For cooking any type of dish on a single shelf. It is preferable to use the shelf on the second level.
- COOKASSIST This function enables all food types to be cooked fully automatically.
- BOTTOM COOKING For browning the bottom of your dishes. This function is also recommended for slow cooking, for finishing stews and for making thick, concentrated sauces.
- AUTO BREAD This function automatically selects the best baking method and ideal temperature for all bread types.
- CONVEXIONAL BAKING For baking cakes and desserts with a liquid filling on a single shelf. This function can also be used for cooking on two shelves. Invert the position of the dishes you are cooking, for more even results.
- BREAD For baking breads of different types and sizes. It is preferable to use the shelf on the second level.
- ECO FORCED AIR COOKING For cooking roasts with stuffing and cuts of meat on a single shelf. This function intermittently activates the fan at a low speed, preventing food from drying out. With this ECO function, the light remains off during cooking.
- AUTO DESSERT This function automatically selects the best baking temperature and mode for any type of dessert (biscuits, sponge cakes, tarts, etc.)
- FORCED AIR COOKING For simultaneously cooking different foods which need the same cooking temperature on several shelves (max. three). This function enables dishes to be cooked at the same time without the flavours or odours leaching from one food to another.
- PROVING For optimal leavening of sweet or savoury doughs and mixtures
- DEFROSTING To speed up food defrosting
- GRILL For grilling chops, skewers and sausages, cooking vegetables au gratin or giving bread a golden crust. When grilling meat, it is advisable to use a drip pan to collect the cooking juices: place it one level below the grill and add 200 ml of water.
- FAST PREHEATING For rapidly preheating the oven.
- TURBO GRILL For roasting large pieces of meat (leg joints, roast beef, whole chickens). It is advisable to use a drip pan to collect the cooking juices: place it one level below the grill and add 500 ml of water.
- PYROLYTIC CLEANING Eliminates cooking residues by means of a very high temperature cycle
- MAXI COOKING For cooking particularly large cuts of meat (over 2.5 kg)
- PIZZA This function automatically selects the best baking temperature and mode for any type of pizza.
- STEAM COOKING This function enables food to be cooked exclusively using steam - for preparing tasty, healthy dishes.
- THERMOVENTILATED COOKING + STEAM This function enables combined steam cooking, for dishes that are golden and crispy on the outside and soft on the inside.
- MULTICOOKING This function allows up to 4 different dishes to be cooked at the same time without mixing flavours.
- PIZZA COUNTRY This cooking mode delivers the most heat in the lower part of the oven, whilst simultaneously delivering heat above, imitating the heat distribution of a wood-fired oven.
- QUICK COOKING The most powerful function. It can be used ahead of any type of cooking in order to rapidly reach the selected temperature, before proceeding with the desired cooking function.
- TOP COOKING (for gas ovens) This function can be used for putting the "finishing touches" on cooking. Also ideal for baking and browning.
- BOTTOM COOKING (for gas ovens)
- STEAM CLEANING The action of the steam that is released during this special low-temperature cleaning cycle enables dirt and food residues to be removed with ease. Pour 200 ml of drinking water into the bottom of the oven and activate the function for 35 minutes at 90°C. Activate the function when the oven is cold, and leave to cool for 15 minutes at the end

Microwave

- MICROWAVE For fast cooking and heating of food or beverages.
- COMBINED GRILL + MICROWAVE To cook and brown dishes quickly by combining the microwaves with the grill.
- AUTOMATIC DEFROST For rapid defrosting of different food types - simply select the weight
- FORCED AIR COOKING For simultaneously cooking different foods which need the same cooking temperature on several shelves (max. three). This function enables dishes to be cooked at the same time without the flavours or odours leaching from one food to another.
- TURBO GRILL For perfect results, combining the action of a grill and a fan oven.
- STEAM COOKING For steaming food such as vegetables or fish, using the steamer provided.
- FORCED AIR + MICROWAVE COOKING For preparing oven-cooked dishes fast.
- COMBINED TURBO GRILL + MICROWAVE For cooking and browning food quickly, combining the functions of a microwave, grill and fan oven.
- AUTO FORCED AIR + MICROWAVE COOKING For rapid oven cooking and optimal results. Use pans that are oven and microwave safe.
- GRILL For browning, grilling or cooking dishes au gratin.
- FAST PREHEATING For rapidly heating the oven before a cooking cycle.
- AUTOMATIC REHEATING For reheating ready-to-eat food, both frozen and at room temperature.
- COOKASSIST/ SPECIAL FUNCTIONS With this function, the pre-set cooking modes can be activated, enabling the ideal power level to be selected, for perfect results every time.

Hoods

- DIGITAL DISPLAY
- CONTINUOUS VENTILATION 24 h
- SPEED NUMBER + INTENSIVE
- LOW NOISE LEVELS
- TIMER
- FILTER FUNCTION



Service and support - we're here to help.

At Franke, we design and manufacture all our products to work exceptionally well and last for many, many years to come.

And to help keep it that way, our expert team are always on hand to service and repair your boiling water taps, waste disposal units and cooker hoods, both in or out of warranty.

Offering **UK-wide coverage**, our technicians can visit any location at your convenience; doing whatever is needed to get things up and running again as soon as they can.

What's more, our Manchester-based consumer care team can provide further After Care service, with spare parts available from our Central Services website.

Guaranteed peace of mind

We're so confident in the quality of our products, that every Franke sink is guaranteed for 50 years, while our waste disposal units are covered for 10 years – more than any other brand.

In addition, all our sinks are fully compliant with **BS EN13310** and all our manufacturing processes are **ISO9001** certified.

Franke taps are guaranteed for 1 year on the finish (5 years for Stainless Steel taps) and 5 years on valve mechanisms and working parts. The guarantee on filtered and instant boiling water taps is shown on the relevant page.

Franke Appliances & Hoods are guaranteed for 2 years. The guarantee covers the cost of parts and labour in the event of a breakdown, caused by mechanical or electrical failure of the appliance.



For details on our warranties visit
www.franke.com



For spare parts call **01782 599 258**
or visit central-servicesuk.co.uk



To reach our after care team
call **0161 436 6280** or email
ks-info.gb@franke.com

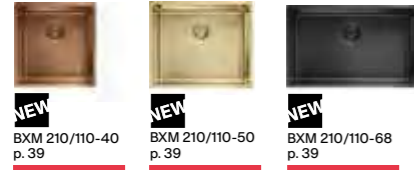
Sinks Overview

MYTHOS

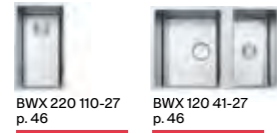
MARIS

SMART

Stainless Steel Bowl Sinks



BXM 210/110-40 p. 39
BXM 210/110-50 p. 39
BXM 210/110-68 p. 39



BWX 220 110-27 p. 46
BWX 120 41-27 p. 46



MQX 110 50 p. 44
MQX 110 82 p. 44



BXX 110 16 p. 47
BXX 110 40 p. 47
BXX 110 50 p. 47



BXX 110 54 p. 47
BXX 110 68 p. 47
BXX 160 34-16 p. 47



LAX 110 45 p. 57
LAX 110 50 p. 57
LAX 110 50-41 p. 57

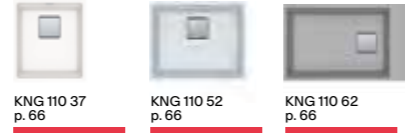


LAX 120 45-30 p. 57
LAX 160 36-16 p. 57
LAX 120 36-36 p. 57

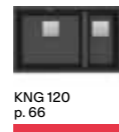
Fragranite Bowl Sinks



FSG 111 p. 64



KNG 110 37 p. 66
KNG 110 52 p. 66
KNG 110 62 p. 66



KNG 120 p. 66

Ceramic Bowl Sinks



KBK 110 40 p. 74
KBK 110 50 p. 74



KBK 160 p. 74

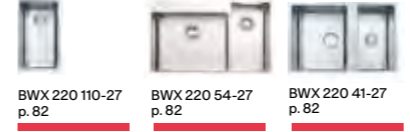
Stainless Steel Inset Sinks



MYX 210 SS p. 79
MYX TPL 210 SS p. 79
MYX 211 SS p. 80



MYX TPL 211 SS p. 80
MYX 251 TPL SS p. 80



BWX 220 110-27 p. 82
BWX 220 54-27 p. 82
BWX 220 41-27 p. 82



MRX 210-19 p. 85
MRX 210-34 p. 85
MRX 210-45 p. 85



MRX 210-55 p. 85
MRX 210-70 p. 86
MRX 220 34-34 p. 86



MRX 260 34-19 p. 86



GAX 611 p. 90
GAX 621 p. 90



AGX 611-78 p. 91
AGX 611-86 p. 91
AGX 611-100 p. 91



AGX 651 p. 92

Fragranite Inset Sinks



UBG 611-86 p. 100
UBG 611-100 p. 100
UBG 651 p. 100



BFG 611-76 p. 102
BFG 611-97 p. 102
BFG 651 p. 102



AZG 611-78 p. 104
AZG 651 p. 104
AZG 621 p. 104

Ceramic Inset Sinks



ELK 611 p. 111
ELK 651 p. 111



GAK 611 p. 112
GAK 651 p. 112



AHK 611 p. 114
AHK 651 p. 114

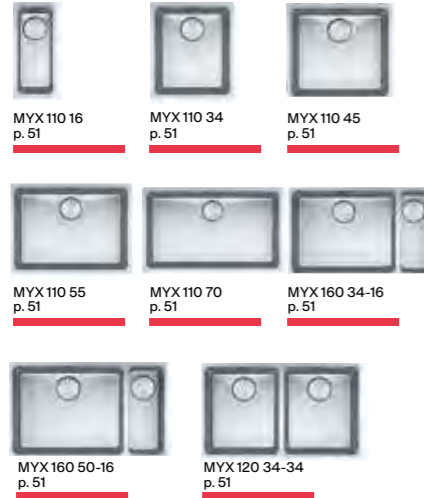
Sinks Overview

MYTHOS

MARIS

SMART

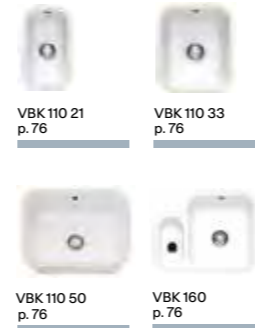
Stainless Steel Bowl Sinks



Fragranite Bowl Sinks



Ceramic Bowl Sinks



Stainless Steel Inset Sinks



Tectonite Inset Sinks



Ceramic Inset Sinks





Stainless Steel Undermount

39	Mythos Masterpiece
43	Maris Quiet
45	Box Center
47	Box
51	Mythos
55	Maris
57	Largo
59	Ariane

Mythos Masterpiece

Your latest work of art.



AWARD-WINNING PRODUCT

CONSUMERS' CHOICE

- ✓ Functionality
- ✓ Innovation
- ✓ Product benefit
- ✓ Design
- ✓ Material quality

kitcheninnovationaward.de



Bring an elegant, artful look to your kitchen and home with the on-trend metallic colours of our latest Mythos Masterpiece family. Discover F-Inox, an exclusive Franke coating that groups water molecules and allows you to dry your bowl without ring stains. Water repellent and scratch-resistant, this futuristic coating also fears no boiling water. A real and long-lasting beauty formula that you can appreciate from all our Mythos Masterpiece bowls.

Showing off your creative side doesn't have to stop at the bowl as the Mythos Masterpiece collection also includes our Atlas Neo and Eos Neo taps plus the Atlas soap dispenser in the same trio of metallic finishes. Match components in the same shade for a perfectly aligned look. Or mix things up to create a combination that's uniquely yours. You can also take your pick from our range of matching components, with waste kits, push knobs, overflows, air switches and food waste disposer flanges available in the same metallic shades - available at Central Services on 01782 599258.



EOS Neo with pull down spray. See page 155



Atlas Soap Dispenser. See page 154

Match components in the same shade for...



Push Knob



Overflow



Waste Kit



Rollamat



Strainer Bowl

Exclusive to the Mythos Masterpiece bowls



Giving the BXM bowl a thoroughly modern makeover, the Mythos Masterpiece collection adds three contemporary colour choices; beautifully blending exceptional aesthetics with uncompromising quality and allowing consumers the freedom to create a look like no other. On top of the durable Stainless Steel body's in on-trend metallic colours, we have a layer of our innovative F-Inox Technology. This unique coating not only helps to prevent fingerprints and marks, but also makes the bowl easier to clean. For further protection, every bowl is also supplied with a coordinating wire grid. Perfectly matching your chosen finish to stop pots and pans scratching the bottom of the bowl, preserving its looks longterm.

MYTHOS

NEW

50 YEARS

FINISH GUARANTEE

2 YEARS

COATING GUARANTEE



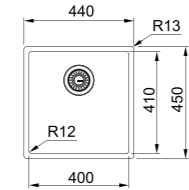
Includes colour coordinated bottom grid



Dimensions **440x450mm**
Installation **Utilise template**
Bowl **400x410x200mm**

Recommended Product
Plumbing Kit
Siphon 1 £27
Suggested WDU
Turbo Elite TE-75 -
see page 307

BXM 210/110-40



Anthracite
+ Semi-Integrated Waste 127.0674.537
£1126

Copper
+ Semi-Integrated Waste 127.0674.583
£1126

Gold
+ Semi-Integrated Waste 127.0674.582
£1126

MYTHOS

NEW

50 YEARS

FINISH GUARANTEE

2 YEARS

COATING GUARANTEE



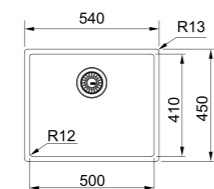
Includes colour coordinated bottom grid



Dimensions **540x450mm**
Installation **Utilise template**
Bowl **540x410x200mm**

Recommended Product
Plumbing Kit
Siphon 1 £27
Suggested WDU
Turbo Elite TE-75 -
see page 307

BXM 210/110-50



Anthracite
+ Semi-Integrated Waste 127.0672.129
£1225

Copper
+ Semi-Integrated Waste 127.0674.363
£1225

Gold
+ Semi-Integrated Waste 127.0674.362
£1225

MYTHOS

NEW

50 YEARS

FINISH GUARANTEE

2 YEARS

COATING GUARANTEE



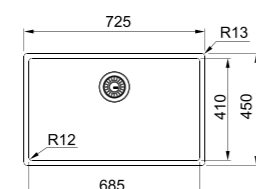
Includes colour coordinated bottom grid



Dimensions **725x450mm**
Installation **Utilise template**
Bowl **685x410x200mm**

Recommended Product
Plumbing Kit
Siphon 1 £27
Suggested WDU
Turbo Elite TE-75 -
see page 307

BXM 210/110-68



Anthracite
+ Semi-Integrated Waste 127.0674.440
£1435

Copper
+ Semi-Integrated Waste 127.0674.535
£1435

Gold
+ Semi-Integrated Waste 127.0674.533
£1435

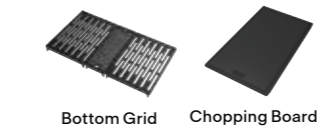


Get exactly what you need with our Mythos Masterpiece Premium Pack. This bundle includes the BXM 210/110-68 Anthracite bowl, the compatible Chopping Board, and the dedicated Modular Bottom Grid. This latter accessory comes in handy for its extreme flexibility: use it as further protection or turn it into the best space-saving crockery drying surface, thanks to the included cards.



- Modular Bottom Grid with cards included
- Push knob pop-up waste
- Slim-Top, Flushmount or Undermount installation options

Included Accessories



ACCESSORIES **Anthracite Premium**
BXM 210/110-68
127.0676.885
£1925

Why not mix and match with our Atlas or Eos tap range sinks? See page 153

Suggested accessories for the BXM range

	01	02	03	04
Anthracite				
	112.0630.204	112.0630.933	112.0655.342	112.0655.239
Copper				
	112.0630.186	112.0630.983	112.0655.344	112.0655.341
Gold				
	112.0630.208	112.0630.934	112.0655.343	112.0655.240
	Hidden Overflow Kit	Pop-up Waste Kit	Rollamat	Strainer Bowl
	Contact Central Services on 01782 599258 for alternative overflow kits	Contact Central Services on 01782 599258 for alternative waste kits	£179	£179

Maris Quiet Bowl

The new size of silence.



Our newest and extra-large stainless-steel Maris Quiet bowl has been designed for you to experience silence and quietness while still going big with your cooking skills and imagination.

This wide single bowl is in fact equipped with our exclusive Quiet Pad System, a double coating pad that reduces noise by 20%. And for you to savour cooking in maximum tranquility, hygiene and safety, the new Maris Quiet comes with an easy-cleaning basket strainer which collects waste.



It dreams big

Big bowl version measures 82 cm.



Silent and beautiful

Equipped with our invisible Quiet Pad anti-noise system to reduce noise up to 20 dB.



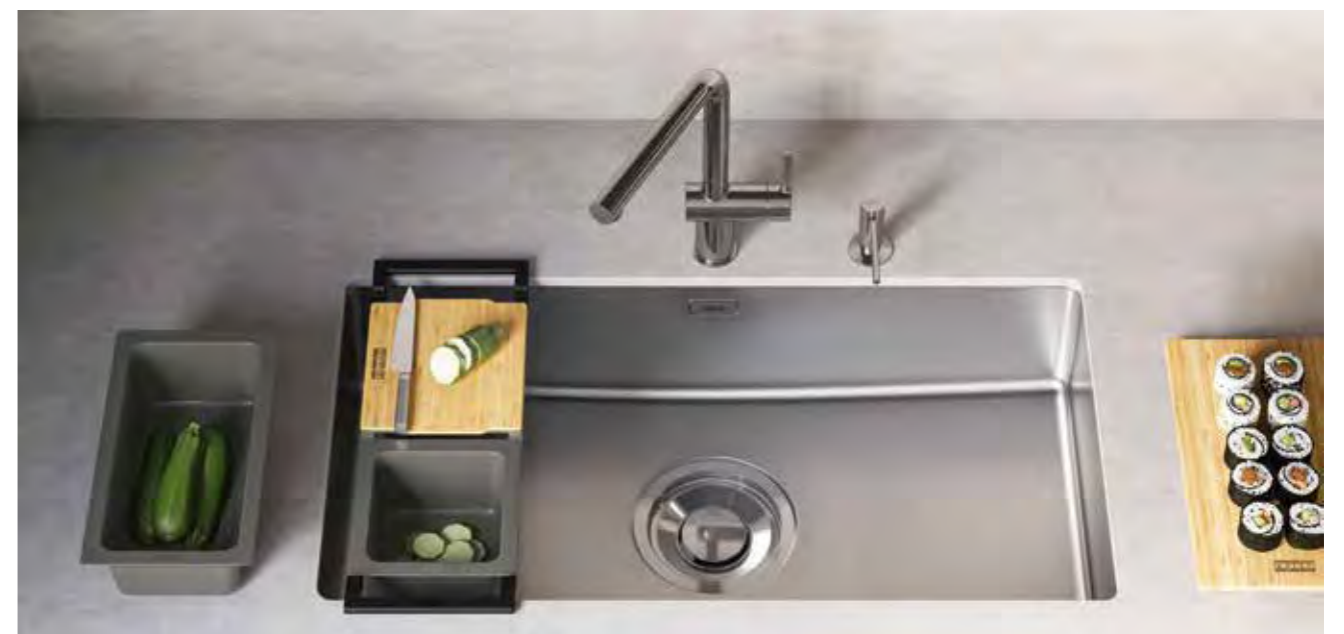
Hygienic and safe

Big 7" Waste Kit with basket strainer waste.



Everything flows

Continuous flow of water thanks to the waste collection.



Maris Quiet



MARIS

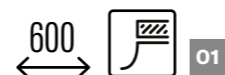


Matt Brushed

50 YEARS GUARANTEE

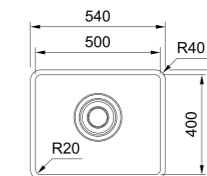
NEW

Maris Quiet MQX 110 50
122.0694.478
£550



Dimensions **540x440mm**
Installation **Utilise template**
Bowl **500x400x188mm**

Recommended Product
Plumbing Kit
Included
Suggested WDU
Turbo Elite TE-50 - see page 307



MARIS



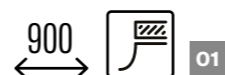
Matt Brushed

50 YEARS GUARANTEE

NEW

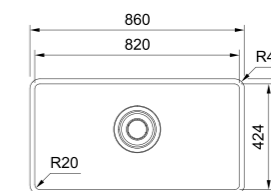
JUMBO SIZED BOWL

Maris Quiet MQX 110 82
122.0694.480
£660



Dimensions **860x460mm**
Installation **Utilise template**
Bowl **820x420x190mm**

Recommended Product
Plumbing Kit
Included
Suggested WDU
Turbo Elite TE-50 - see page 307



Suggested Accessories



01
All-In
Please see page 311 to select
a combination of accessories.

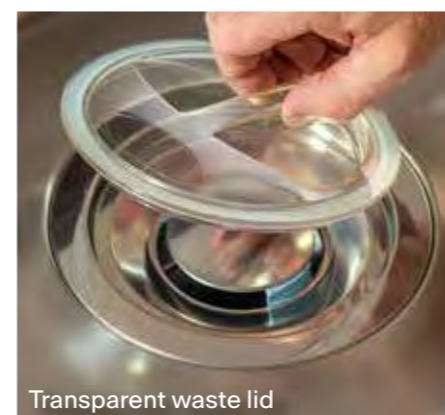


115.0653.379
Active L Pull-Out Spray Tap



Quiet Pad System reduces noise
by 25% -20dB noise reduction vs
standard

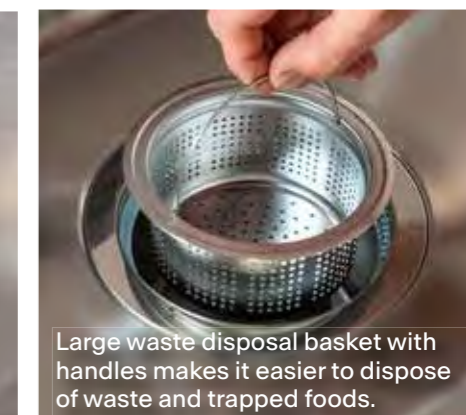
All prices are inclusive of VAT



Transparent waste lid



162mm waste outlet diameter



Large waste disposal basket with
handles makes it easier to dispose
of waste and trapped foods.

Box Center



Also available in inset/flushmount models - see page 81



MYTHOS



50 YEARS GUARANTEE

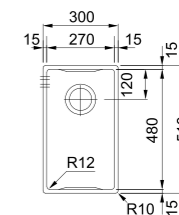
Matt Brushed



Dimensions 300x510mm
Installation Download cut out file
Bowl 270x480x200mm

Recommended Product
Plumbing Kit
Siphon 1 £27
Suggested WDU
Turbo Elite TE-75 - see page 307

BWX 220 110-27
127.0579.584
£847



01 02 03 04 05 06 07



MYTHOS



50 YEARS GUARANTEE

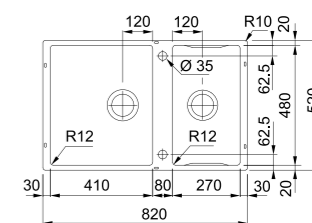
Matt Brushed



Dimensions 820x520mm
Installation Download cut out file
Bowl 410x480x200mm
/270x480x200mm

Recommended Product
Plumbing Kit
Siphon 2 £39
Suggested WDU
Turbo Elite TE-75 - see page 307

BWX 120 41-27
122.0579.480
Reversible
£1599










01 02 03 04 05 06 07



115.0393.974
Pescara Semi-Pro XL

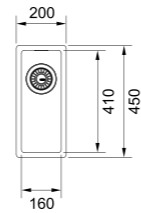
All prices are inclusive of VAT

Accessories included with Box Center BWX 220 100-27 and BWX 120-41-27

- 
01
 Stainless Steel Strainer Bowl
- 
02
 Food Preparation Platter
- 
03
 Frame Cover
- 
04
 Wire Rack
- 
05
 Chopping Board
- 
06
 Knife Holder
- 
07
 Knife set



Dimensions **200x450mm**
Installation **Utilise template**
Bowl **160x410x140mm**

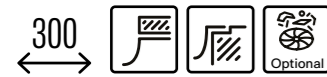


Recommended Product
Plumbing Kit
Siphon 1 £27
Suggested WDU
Turbo Elite TE-50 - see page 307

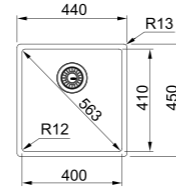
BXX 110 16
127.0371.512
£352

01 02 03 04 05

Matt Brushed



Dimensions **440x450mm**
Installation **Utilise template**
Bowl **400x410x200mm**

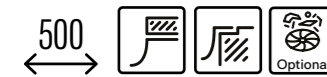


Recommended Product
Plumbing Kit
Siphon 1 £27
Suggested WDU
Turbo Elite TE-50 - see page 307

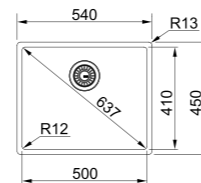
BXX 110 40
127.0369.215
£399

01 02 03 04 05

Matt Brushed



Dimensions **540x450mm**
Installation **Download cut out file**
Bowl **500x410x200mm**



Recommended Product
Plumbing Kit
Siphon 1 £27
Suggested WDU
Turbo Elite TE-50 - see page 307

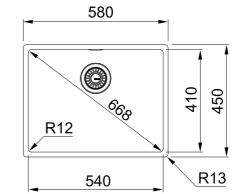
BXX 110 50
127.0369.282
£424

01 02 03 04 05

Matt Brushed



Dimensions **580x450mm**
Installation **Utilise template**
Bowl **540x410x200mm**



Recommended Product
Plumbing Kit
Siphon 1 £27
Suggested WDU
Turbo Elite TE-50 - see page 307

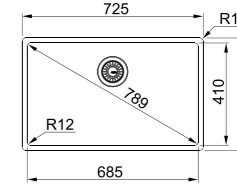
BXX 110 54
127.0371.513
£436

01 02 03 04 05

Matt Brushed



Dimensions **725x450mm**
Installation **Utilise template**
Bowl **685x410x200mm**



Recommended Product
Plumbing Kit
Siphon 1 £27
Suggested WDU
Turbo Elite TE-50 - see page 307

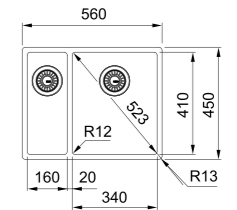
BXX 110 68
127.0369.284
£482

01 02 03 04 05

Matt Brushed



Dimensions **560x450mm**
Installation **Utilise template**
Bowl **340x410x200mm/
160x410x140mm**

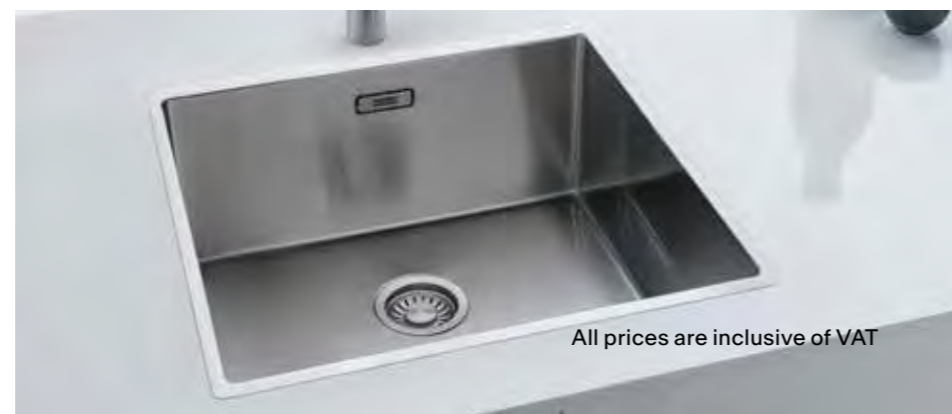


Recommended Product
Plumbing Kit
Siphon 2 £39
Suggested WDU
Turbo Elite TE-50 - see page 307

BXX 160 34-16
LHSB 127.0369.916
£567






01 02 03 04 05

Matt Brushed



All prices are inclusive of VAT

Suggested Accessories

- 
01
 Rollamat 44
 112.0080.355
 £96
- 
02
 Stainless Steel
 Strainer Bowl
 112.0394.981
 £144
- 
03
 Mobile Drainer
 112.0188.651
 £132
- 
04
 Chopping
 Board
 112.0539.134
 £93
- 
05
 Andy Chef Please see page 312
 for more information
 112.0619.946
 £316

Mythos Bowls

Precision is more than a detail

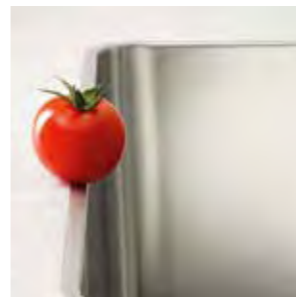


With the sophisticated design of Mythos bowls, they integrate themselves perfectly in all environments to satisfy different space and style needs.

With its silhouette created to surprise and enchant, this bowl knows how to unite refined elegance and high functionality so much so it won the IF Design Award 2020.

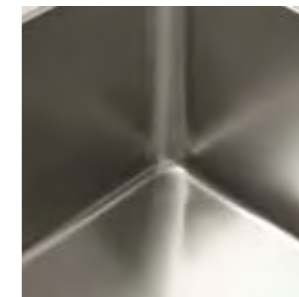
The variation in its radius enhances its minimalistic characteristics; the extremely fine rim naturally highlights its surfaces; the detailed precision in details is easy on the eye, yet satisfies the desire for practicality and efficiency.

Superior quality certified by Franke's centennial tradition.



Extremely fine rim

The exclusive 6mm border marvellously frames the new Mythos sink, creating a seamless surface.



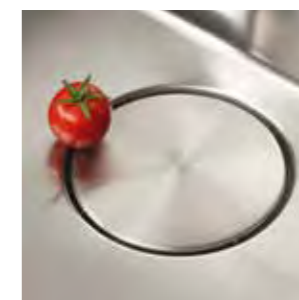
Different Radii

The upper radius is 25 mm, while the bottom of the bowl radius is 10mm: unique features, that at the same time give its form both beauty and optimal functionality for cleaning the sink.



Waste covers

The flush brushed steel cover integrates itself within the Mythos sink, elegantly hiding waste to ensure maximum formal cleanliness



Accessories

Every detail is designed to make each gesture simple. Creativity and functionality: The secret of Mythos accessories.

Mythos



Also available in inset/flushmount models - see page 83

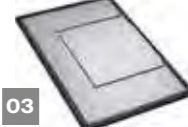
Suggested Accessories



01
Rollamat
112.0591.081
£96



02
Stainless Steel
Strainer Bowl
112.0659.398
£160



03
Mobile Drainer
112.0602.288
£128



04
Chopping Board
112.0591.082
£128



115.0625.187
Icon Swivel Spout
Matt Black

All prices are inclusive of VAT

MYTHOS

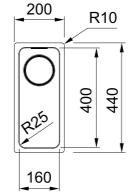


50
YEARS
GUARANTEE

Matt Brushed



Dimensions **200x440mm**
Installation **Download cut out file**
Bowl **160x400x150mm**



Recommended Product
Plumbing Kit
Siphon 1 £27
Suggested WDU
Turbo Elite TE-50 - see page 307

MYX 110 16
122.0606.889
£380

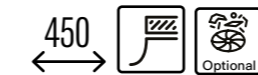
01 02 03 04

MYTHOS

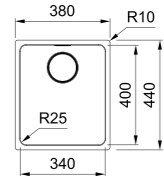


50
YEARS
GUARANTEE

Matt Brushed



Dimensions **380x440mm**
Installation **Download cut out file**
Bowl **340x400x200mm**



Recommended Product
Plumbing Kit
Siphon 1 £27
Suggested WDU
Turbo Elite TE-50 - see page 307

MYX 110 34
122.0606.948
£405

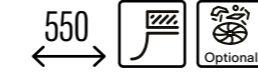
01 02 03 04

MYTHOS

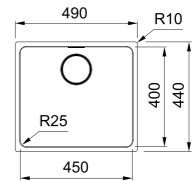


50
YEARS
GUARANTEE

Matt Brushed



Dimensions **490x440mm**
Installation **Download cut out file**
Bowl **450x400x200mm**



Recommended Product
Plumbing Kit
Siphon 1 £27
Suggested WDU
Turbo Elite TE-50 - see page 307

MYX 110 45
122.0606.949
£475

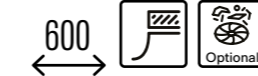
01 02 03 04

MYTHOS

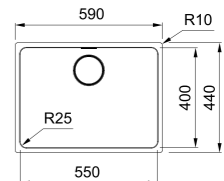


50
YEARS
GUARANTEE

Matt Brushed



Dimensions **590x440mm**
Installation **Download cut out file**
Bowl **550x400x200mm**



Recommended Product
Plumbing Kit
Siphon 1 £27
Suggested WDU
Turbo Elite TE-50 - see page 307

MYX 110 55
122.0606.969
£569

01 02 03 04

MYTHOS



Dimensions **740x440mm**
Installation **Download cut out file**
Bowl **700x400x200mm**

50 YEARS GUARANTEE

Matt Brushed

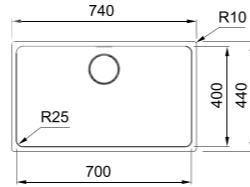


Recommended Product
Plumbing Kit
Siphon 1 £27
Suggested WDU
Turbo Elite TE-50 - see page 307

MYX 110 70
122.0607.061
£640

01 02 03 04

Mythos



MYTHOS



Dimensions **555x430mm**
Installation **Download cut out file**
Bowl **340x400x200mm/**
160x400x150mm

50 YEARS GUARANTEE

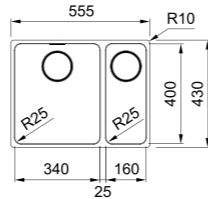
Matt Brushed



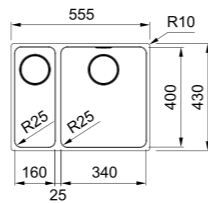
Recommended Product
Plumbing Kit
Siphon 2 £39
Suggested WDU
Turbo Elite TE-50 - see page 307

MYX 160 34-16
LHSB 122.0607.062
RHSB 122.0607.063
£664

01 02 03 04



RHSB



LHSB

MYTHOS



Dimensions **725x440mm**
Installation **Download cut out file**
Bowl **500x400x200mm/**
160x400x150mm

50 YEARS GUARANTEE

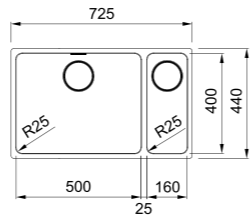
Matt Brushed



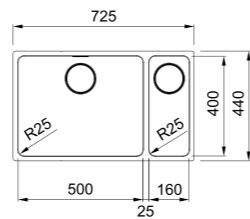
Recommended Product
Plumbing Kit
Siphon 2 £39
Suggested WDU
Turbo Elite TE-50 - see page 307

MYX 160 50-16
LHSB 122.0606.920
RHSB 122.0607.083
£664

01 02 03 04



RHSB



LHSB

MYTHOS



Dimensions **745x440mm**
Installation **Download cut out file**
Bowl **340x400x200mm/**
340x400x200mm

50 YEARS GUARANTEE

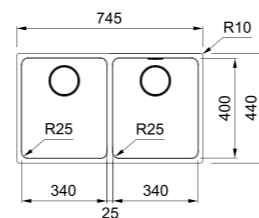
Matt Brushed



Recommended Product
Plumbing Kit
Siphon 2 £39
Suggested WDU
Turbo Elite TE-50 - see page 307

MYX 120 34-34
122.0607.085
£773

01 02 03 04



MARIS



50 YEARS GUARANTEE

Matt Brushed

300



Dimensions **230x440mm**
Installation **Utilise template**
Bowl **190x400x130mm**

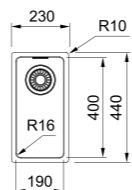
Recommended Product
Plumbing Kit
Siphon 1 £27
Suggested WDU
Turbo Elite TE-50 - see page 307

MRX 110-19
122.0553.879
£229

01 02 03

Maris

Also available in inset/flushmount models - see page 85



MARIS



50 YEARS GUARANTEE

Matt Brushed

800

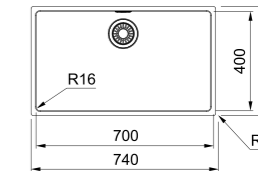


Dimensions **740x440mm**
Installation **Utilise template**
Bowl **700x400x180mm**

Recommended Product
Plumbing Kit
Siphon 1 £27
Suggested WDU
Turbo Elite TE-50 - see page 307

MRX 110-70
122.0531.911
£494

01 02 03



MARIS



50 YEARS GUARANTEE

Matt Brushed

450

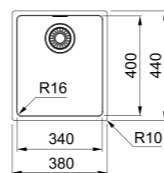


Dimensions **380x440mm**
Installation **Utilise template**
Bowl **340x400x180mm**

Recommended Product
Plumbing Kit
Siphon 1 £27
Suggested WDU
Turbo Elite TE-50 - see page 307

MRX 110-34
122.0531.850
£311

01 02 03



MARIS



50 YEARS GUARANTEE

Matt Brushed

800

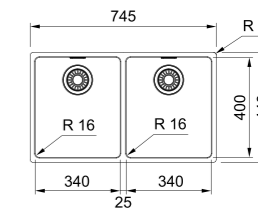


Dimensions **745x440mm**
Installation **Utilise template**
Bowl **340x400x180mm/**
340x400x180mm

Recommended Product
Plumbing Kit
Siphon 2 £39
Suggested WDU
Turbo Elite TE-50 - see page 307

MRX 120 34-34
122.0531.853
£563

01 02 03



MARIS



50 YEARS GUARANTEE

Matt Brushed

550

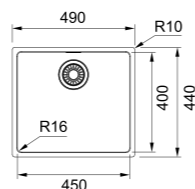


Dimensions **490x440mm**
Installation **Download cut out file**
Bowl **450x400x180mm**

Recommended Product
Plumbing Kit
Siphon 1 £27
Suggested WDU
Turbo Elite TE-50 - see page 307

MRX 110-45
122.0553.943
£333

01 02 03



MARIS



50 YEARS GUARANTEE

Matt Brushed

800

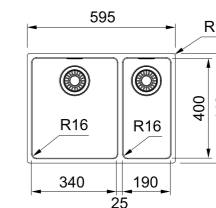


Dimensions **595x440mm**
Installation **Utilise template**
Bowl **340x400x180mm/**
190x400x130mm

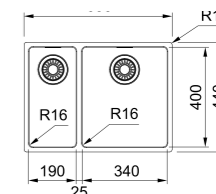
Recommended Product
Plumbing Kit
Siphon 2 £39
Suggested WDU
Turbo Elite TE-50 - see page 307

MRX 160 34-19
LHSB 122.0553.949
RHSB 122.0570.242
£563

01 02 03



RHSB



LHSB

MARIS



50 YEARS GUARANTEE

Matt Brushed

600

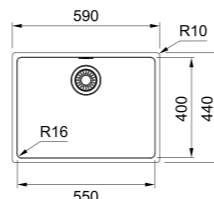


Dimensions **590x440mm**
Installation **Utilise template**
Bowl **550x400x180mm**

Recommended Product
Plumbing Kit
Siphon 1 £27
Suggested WDU
Turbo Elite TE-50 - see page 307

MRX 110-55
122.0553.947
£414

01 02 03



Suggested Accessories



All-In
Please see page 311 to select a combination of accessories.



Rollamat 40
112.0050.988
£96



Mobile Drainer (342x430mm)
112.0188.651
£132

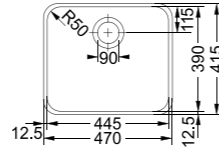
Maris

Largo

SMART



Dimensions **470x415mm**
Installation **Utilise template**
Bowl **445x390x175mm**



Recommended Product
Plumbing Kit
Siphon 1 £27
Suggested WDU
Turbo Elite TE-50 - see page 307

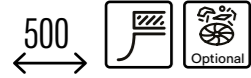
LAX110 45
122.0066.736
£304

01 02 04

50 YEARS
GUARANTEE



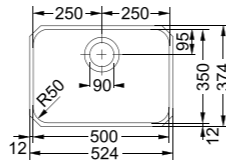
Silk



SMART



Dimensions **524x374mm**
Installation **Utilise template**
Bowl **500x350x180mm**

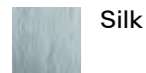


Recommended Product
Plumbing Kit
Siphon 1 £27
Suggested WDU
Turbo Elite TE-50 - see page 307

LAX110 50
122.0181.453
£388

01 02 04

50 YEARS
GUARANTEE



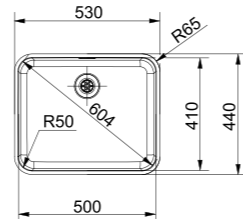
Silk



SMART



Dimensions **530x450mm**
Installation **Utilise template**
Bowl **500x410x175mm**

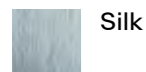


Recommended Product
Plumbing Kit
Siphon 1 £27
Suggested WDU
Turbo Elite TE-50 - see page 307

LAX110 50-41
122.0250.208
£404

01 02 04

50 YEARS
GUARANTEE



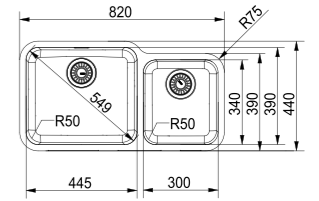
Silk



SMART



Dimensions **820x440mm**
Installation **Utilise template**
Bowl **445x390x175mm/**
300x340x160mm

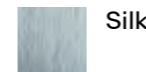


Recommended Product
Plumbing Kit
Siphon 2 £39
Suggested WDU
Turbo Elite TE-50 - see page 307

LAX120 45-30
RHSB 122.0156.343
£493

01 02 03

50 YEARS
GUARANTEE



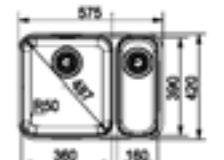
Silk



SMART



Dimensions **575x420mm**
Installation **Utilise template**
Bowl **360x390x175mm/**
160x390x120mm

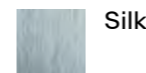


Recommended Product
Plumbing Kit
Siphon 2 £39
Suggested WDU
Turbo Elite TE-50 - see page 307

LAX160 36-16
LHSB 122.0156.345
RHSB 122.0156.346
£507

01 02 03

50 YEARS
GUARANTEE



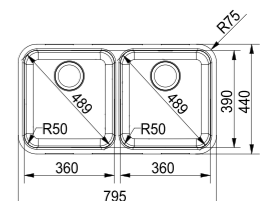
Silk



SMART



Dimensions **795x440mm**
Installation **Download cut out file**
Bowl **360x390x175mm/**
360x390x175 mm



Recommended Product
Plumbing Kit
Siphon 2 £39
Suggested WDU
Turbo Elite TE-50 - see page 307

LAX120 36-36
122.0156.181
£511

01 02 03

50 YEARS
GUARANTEE



Silk



Suggested Accessories



01
All-In
Please see page 311 to select
a combination of accessories.



02
Rollamat 40
112.0050.988
£96



03
Mobile Drainer (342x430mm)
112.0188.651
£132



04
Mobile Drainer (333x417mm)
112.0188.653
£132

All prices are inclusive of VAT



Ariane

SMART



50 YEARS GUARANTEE



Silk

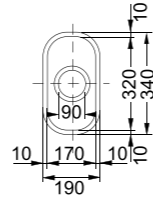


Dimensions **190x340mm**
Installation **Utilise template**
Bowl **170x320x120mm**

Recommended Product
Plumbing Kit
Siphon 1 £27
Suggested WDU
Turbo Elite TE-50 - see page 307

ARX 110 17
112.0154.911
£224

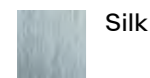
01 02



SMART



50 YEARS GUARANTEE



Silk

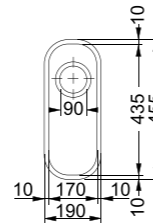


Dimensions **190x455mm**
Installation **Utilise template**
Bowl **170x435x130mm**

Recommended Product
Plumbing Kit
Siphon 1 £27
Suggested WDU
Turbo Elite TE-50 - see page 307

ARX 110 17D
112.0154.958
£299

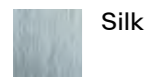
01 02



SMART



50 YEARS GUARANTEE



Silk

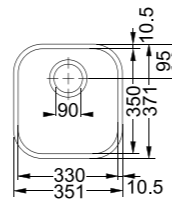


Dimensions **351x371mm**
Installation **Utilise template**
Bowl **330x350x160mm**

Recommended Product
Plumbing Kit
Siphon 1 £27
Suggested WDU
Turbo Elite TE-50 - see page 307

ARX 110 33
122.0154.919
£239

01 02



SMART



50 YEARS GUARANTEE



Silk

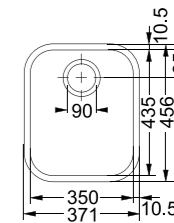


Dimensions **371x456mm**
Installation **Utilise template**
Bowl **350x435x175mm**

Recommended Product
Plumbing Kit
Siphon 1 £27
Suggested WDU
Turbo Elite TE-50 - see page 307

ARX 110 35
122.0154.915
£299

01 02



SMART



50 YEARS GUARANTEE



Silk

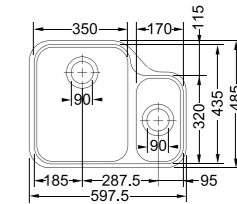


Dimensions **598x485mm**
Installation **Utilise template**
Bowl **350x435x175mm/170x320x120mm**

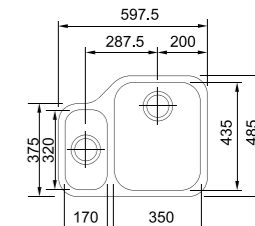
Recommended Product
Plumbing Kit
Siphon 2 £39
Suggested WDU
Turbo Elite TE-50 - see page 307

ARX 160
LHSB 122.0154.926
RHSB 122.0154.935
£449

01 02



RHSB



LHSB

SMART



50 YEARS GUARANTEE



Silk

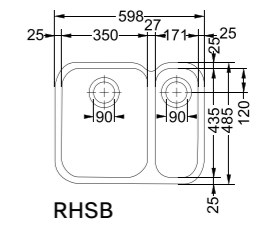


Dimensions **598x485mm**
Installation **Utilise template**
Bowl **350x435x175mm/170x435x130mm**

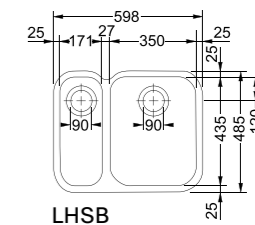
Recommended Product
Plumbing Kit
Siphon 2 £39
Suggested WDU
Turbo Elite TE-50 - see page 307

ARX 160D
LHSB 122.0154.950
RHSB 122.0154.946
£524

01 02



RHSB



LHSB

Suggested Accessories



All-In
Please see page 311 to select a combination of accessories.
59



Rollamat 40
112.0050.988
£96

All prices are inclusive of VAT

Ariane





Fragran ite Under mount

63
65
67

Fresno
Kubus
Maris



Fresno

- Polar White**
135.0633.439
£600
- Stone Grey**
135.0633.437
£600
- Matt Black**
135.0633.440
£600



50
YEARS
GUARANTEE

900
↔

FSG 111
Reversible



ACCES-
SORIES



01

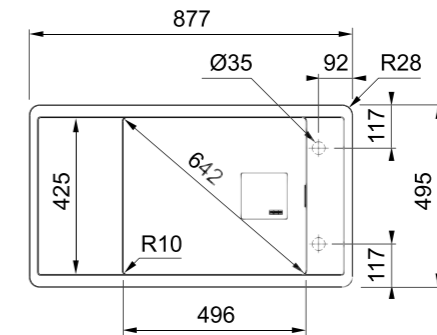
02

Please note:

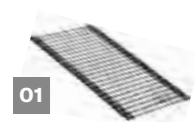
We would recommend that side lever style taps are fitted with this sink, given the position of the tap platform.

Dimensions **860x458mm**
Installation See instruction booklet
Bowl **500x425x215mm**

Recommended Product
Plumbing Kit
Siphon 1 £27
Suggested WDU
Turbo Elite TE-75 - see page 307



Included Accessories



01
Rollamat FSG

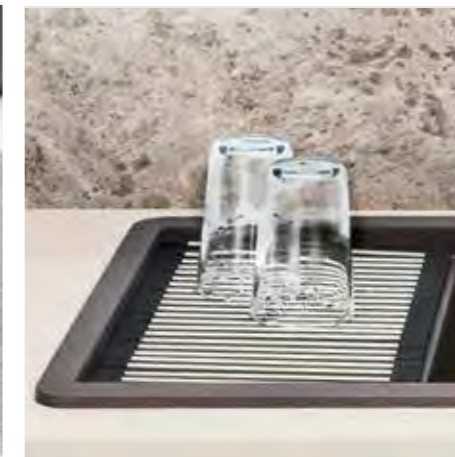
Suggested Accessories



02
Stainless Steel Strainer Bowl
112.0066.060
£144



115.0653.371
Active L Spout Dual Spray Pull
Out Tap in Matt Black



Kubus



Suggested Accessories

- 01**



Rollamat
112.0256.867
£96
- 02**



Stainless Steel Strainer Bowl
112.0066.060
£144
- 03**



KNG Chopping Board
112.0654.748
£82



115.0669.210
Atlas Neo Sensor Tap
in Industrial Black

All prices are inclusive of VAT

MYTHOS

- 01
- 02
- 03

50 YEARS GUARANTEE

450

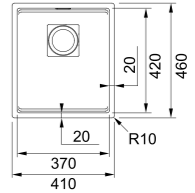
KNG 110 37



Dimensions **410x460mm**
Installation **Utilise template**
Bowl **370x420x200mm**

Recommended Product
Plumbing Kit
Siphon 1 £27
Suggested WDU
Turbo Elite TE-75 - see page 307

- Polar White**
125.0633.731
£514
- Stone Grey**
125.0633.733
£514
- Matt Black**
125.0630.441
£514



MYTHOS

- 01
- 02
- 03

50 YEARS GUARANTEE

600

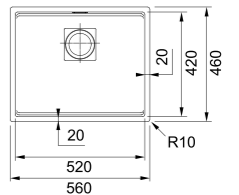
KNG 110 52



Dimensions **560x460mm**
Installation **Utilise template**
Bowl **520x420x200mm**

Recommended Product
Plumbing Kit
Siphon 1 £27
Suggested WDU
Turbo Elite TE-75 - see page 307

- Polar White**
125.0633.725
£584
- Stone Grey**
125.0633.728
£584
- Matt Black**
125.0630.442
£584



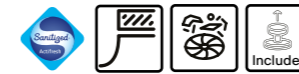
MYTHOS

- 01
- 02
- 03

50 YEARS GUARANTEE

800

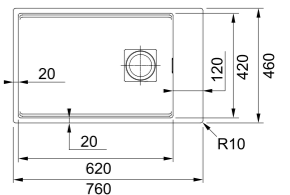
KNG 110 62



Dimensions **760x460mm**
Installation **Utilise template**
Bowl **620x420x200mm**

Recommended Product
Plumbing Kit
Siphon 1 £27
Suggested WDU
Turbo Elite TE-75 - see page 307

- Polar White**
125.0633.721
£636
- Stone Grey**
125.0633.723
£636
- Matt Black**
125.0630.443
£636



MYTHOS

- 01
- 02
- 03

50 YEARS GUARANTEE

800

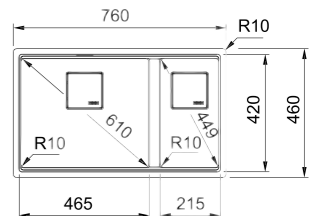
KNG 120 62



Dimensions **760x460mm**
Installation **Utilise template**
Bowl **464x420x200mm/**
214x420x200

Recommended Product
Plumbing Kit
Siphon 2 £39
Suggested WDU
Turbo Elite TE-75 - see page 307

- Polar White**
125.0633.285
£677
- Stone Grey**
125.0633.287
£677
- Matt Black**
125.0630.444
£677



Fragranite Maris Bowl

Spectacularly big.



A bowl that satisfies all round

Guests are about to arrive, dinner is set, the show is almost on, but you need space to unleash your creativity and be organised. And here's when the Maris Fragranite Bowl comes to the rescue. It is so spectacularly big that can easily fit baking trays, pots and pans to be washed with maximum ease. Plus, it is made of our exclusive Fragranite, a material able to last a lifetime, resist heat, easy to sanitise and that incorporates silver ions to help prevent bacteria growth.



Match to your kitchen

The Maris Fragranite bowl is the ultimate improvement to your kitchen. Our products offer modern looks, clever functions and plenty of space – they combine design and functionality. With a Maris bowl you have a product that simply fits and creates a lot of pleasure and convenience.



A perfectly finished bowl

Our bowls are beautifully designed minimalist objects that will blend into your kitchen and simply belong. Moreover, the bowls are offered with a drain cover and hidden overflow.



Delightfully long-lasting

The bowl includes quartz, one of the hardest materials known to man, and is resistant to temperatures up to 280° C*. It's also resilient to impact and thermal shock, and also scratch-resistant.

Amazingly hygienic

What would a bowl be if it wasn't easy to clean? Our bowls are simple to wash and particularly hygienic because they are enhanced with Sanitized, a material that contains silver ions that reduce the growth of bacteria and microbes by 99%.





Maris



Suggested Accessories



01
All-In
Please see page 311 to select a combination of accessories.



02
Rollamat 40
112.0050.988.867
£96



03
Mobile Drainer
112.0188.651
£132



115.0653.371
Active L Spout Dual Spray
Pull Out Tap in Matt Black

Colourline
Return&Recycle



Matt Black waste kits are available to purchase from Central Services.

Return the waste contained in the sink box to Central Services for a refund. For full details, see page 30.

All prices are inclusive of VAT

MARIS

01
02
03

50
YEARS
GUARANTEE

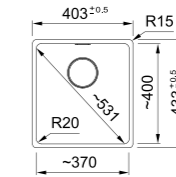
450

MRG 110-37



Dimensions **403x433mm**
Installation **Utilise template**
Bowl **370x400x200mm**

Recommended Product
Plumbing Kit
Siphon 1 £27
Suggested WDU
Turbo Elite TE-75
- see page 307



NEW

- Polar White**
135.0688.500
£464
- Coffee**
135.0688.501
£464
- Oyster**
135.0688.502
£464
- Stone Grey**
135.0688.499
£464
- Matt Black**
135.0688.503
£464

MARIS

01
02
03

50
YEARS
GUARANTEE

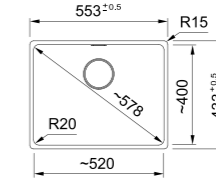
600

MRG 110-52



Dimensions **553x433mm**
Installation **Utilise template**
Bowl **520x400x200mm**

Recommended Product
Plumbing Kit
Siphon 1 £27
Suggested WDU
Turbo Elite TE-75
- see page 307



NEW

- Polar White**
135.0688.505
£525
- Coffee**
135.0688.506
£525
- Oyster**
135.0688.507
£525
- Stone Grey**
135.0688.504
£525
- Matt Black**
135.0688.508
£525

MARIS

01
02
03

50
YEARS
GUARANTEE

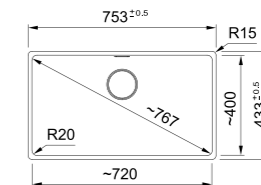
800

MRG 110-72



Dimensions **753x433mm**
Installation **Utilise template**
Bowl **720x400x200mm**

Recommended Product
Plumbing Kit
Siphon 1 £27
Suggested WDU
Turbo Elite TE-75
- see page 307



NEW

- Polar White**
135.0688.510
£621
- Coffee**
135.0688.511
£621
- Oyster**
135.0688.512
£621
- Stone Grey**
135.0688.509
£621
- Matt Black**
135.0688.513
£621

MARIS

01
02
03

50
YEARS
GUARANTEE

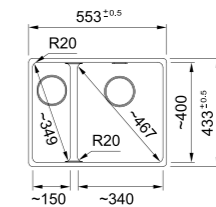
600

MRG 160 34-15



Dimensions **560x440mm**
Installation **Utilise template**
Bowl **340x400x200mm/**
150x400x150mm

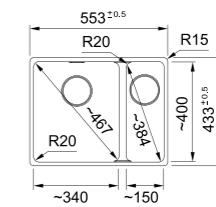
Recommended Product
Plumbing Kit
Siphon 2 £39
Suggested WDU
Turbo Elite TE-75
- see page 307



NEW

- Polar White**
LHSB 125.0688.515
RHSB 125.0688.520
£612
- Coffee**
LHSB 125.0688.516
RHSB 125.0688.521
£612
- Oyster**
LHSB 125.0688.517
RHSB 125.0688.522
£612
- Stone Grey**
LHSB 125.0688.514
RHSB 125.0688.519
£612
- Matt Black**
LHSB 125.0688.518
RHSB 125.0688.523
£612

LHSB



RHSB



Ceramic Undermount

73
75

Kubus
Franke by V&B

Ceramic sink measurements may vary +/-1% due to the firing process. We recommend that the sink should be used as a template in all cases.

Extended flange required if installing a waste disposal unit* - see page 307

Kubus



Suggested Accessories



01
Rollamat 40
112.0050.988
£96

MARIS

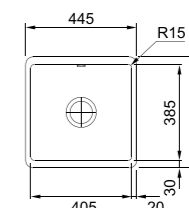
01



Dimensions **445x445mm**
Installation **Utilise template**
Bowl **405x385x175mm**

Recommended Product
Plumbing Kit
Siphon 1 £27
Suggested WDU
Turbo Elite TE-75
- see page 307

Gloss White
126.0438.430
£702
Graphite
126.0532.320
£702



50
YEARS
GUARANTEE

500

KBK 110 40



MARIS

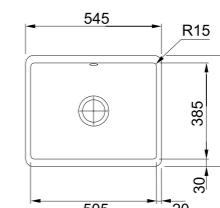
01



Dimensions **545x445mm**
Installation **Utilise template**
Bowl **505x385x185mm**

Recommended Product
Plumbing Kit
Siphon 1 £27
Suggested WDU
Turbo Elite TE-75
- see page 307

Gloss White
126.0438.483
£634
Graphite
126.0532.322
£634



50
YEARS
GUARANTEE

600

KBK 110 50



MARIS

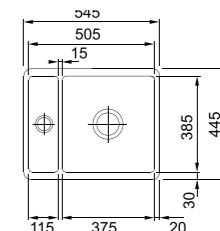
01



Dimensions **545x445mm**
Installation **Utilise template**
Bowl **375x385x185mm/**
115x385x115mm

Recommended Product
Plumbing Kit
Siphon 2 £39
Suggested WDU
Turbo Elite TE-75
- see page 307

Gloss White
126.0438.484
£940
Graphite
126.0532.323
£940



50
YEARS
GUARANTEE

600

KBK 160



*NB: Batch feed WDU's are not compatible with ceramic sinks.

Franke by V&B



*NB: Batch feed WDU's are not compatible with ceramic sinks.

Suggested Accessories



01
Rollamat 40
112.0050.988
£96

FRANKE
by
Villeroy & Boch

MARIS
01



50
YEARS
GUARANTEE

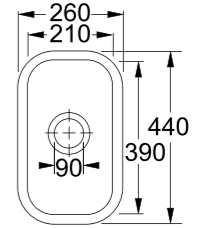
400
Icons: Sink, Wheelchair

Dimensions **260x440mm**
Installation **Utilise template**
Bowl **210x390x180mm**

Recommended Product
Plumbing Kit
Siphon 1 £27
Suggested WDU
Turbo Elite TE-75 - see page 307

VBK 110 21
126.0381.816
£435

Gloss White



MARIS
01



50
YEARS
GUARANTEE

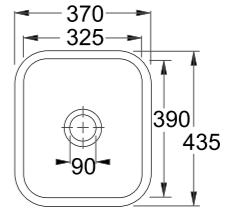
450
Icons: Sink, Wheelchair

Dimensions **370x435mm**
Installation **Utilise template**
Bowl **325x390x175mm**

Recommended Product
Plumbing Kit
Siphon 1 £27
Suggested WDU
Turbo Elite TE-75 - see page 307

VBK 110 33
126.0381.820
£562

Gloss White



MARIS
01



50
YEARS
GUARANTEE

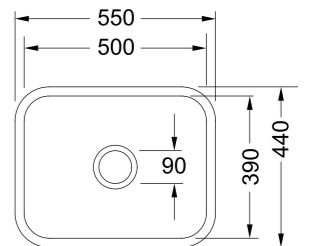
600
Icons: Sink, Wheelchair

Dimensions **550x440mm**
Installation **Utilise template**
Bowl **500x390x200mm**

Recommended Product
Plumbing Kit
Siphon 1 £27
Suggested WDU
Turbo Elite TE-75 - see page 307

VBK 110 50
126.0381.823
£634

Gloss White



MARIS
01



50
YEARS
GUARANTEE

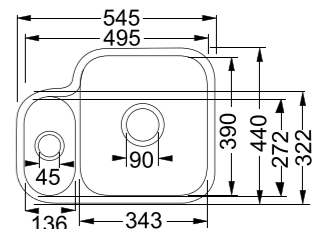
600
Icons: Sink, Wheelchair

Dimensions **545x440mm**
Installation **Utilise template**
Bowl **343x390x173mm/**
136x272x103mm

Recommended Product
Plumbing Kit
Siphon 2 £39
Suggested WDU
Turbo Elite TE-75 - see page 307

VBK 160
LHSB 126.0381.814
£751

Gloss White





Stainless Steel Inset Sinks

79	Mythos Plus
81	Box Center
83	Studio
83	Mythos
85	Maris
87	Epos
88	Neptune
89	Maris MYX
90	Galassia
91	Argos
93	Spark
94	Utility
94	Rotondo
96	Antea



Mythos Plus

Accessories included with Mythos Plus MYX

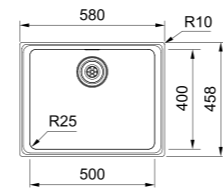


01 Stainless Steel Strainer Bowl
112.0355.965

02 Black Glass Chopping Board
112.0659.398



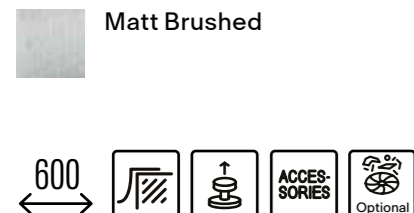
Dimensions **580x458mm**
Installation **566x444mm cr=10 (inset)**
580.8x458mm.8 cr=10.4 (flushmount)
Bowl **500x400x200mm**



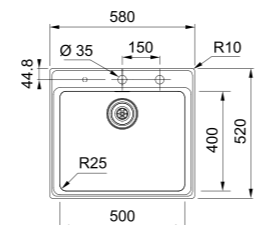
Recommended Product
Plumbing Kit
Siphon 1 £27
Suggested WDU
Turbo Elite TE-75 - see page 308

MYX 210 SS
127.0640.218
£557

01 02 03 04 05 06 07 08 09



Dimensions **580x520mm**
Installation **566x506mm cr=10 (inset)**
580.8x520.8mm cr=10.4 (flushmount)
Bowl **500x400x200mm**



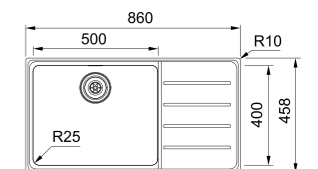
Recommended Product
Plumbing Kit
Siphon 1 £27
Suggested WDU
Turbo Elite TE-75 - see page 308

MYX TPL 210 SS
127.0640.216
£557

01 02 03 04 05 06 07 08 09



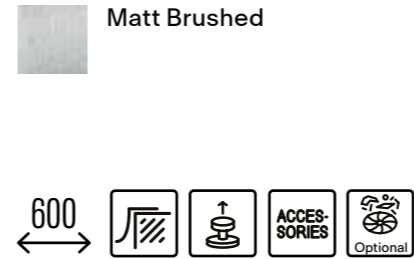
Dimensions **860x458mm**
Installation **846x444mm cr=10 (inset)**
860.8x458.8mm cr=10.4 (flushmount)
Bowl **500x400x200mm**



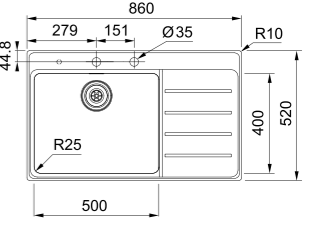
Recommended Product
Plumbing Kit
Siphon 1 £27
Suggested WDU
Turbo Elite TE-75 - see page 308

MYX 211 SS
LHD 127.0640.512
RHD 127.0640.513
£770

01 02 03 04 05 06 07 08 09



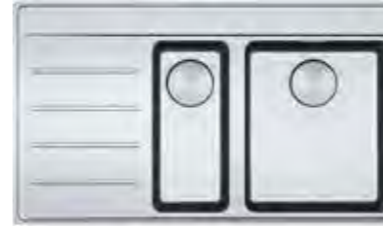
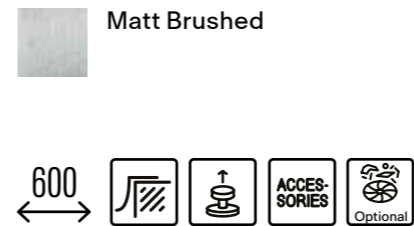
Dimensions **860x520mm**
Installation **846x506mm cr=10 (inset)**
860.8x520.8mm cr=10.4 (flushmount)
Bowl **500x400x200mm**



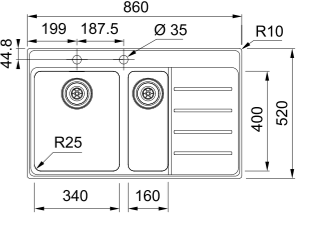
Recommended Product
Plumbing Kit
Siphon 1 £27
Suggested WDU
Turbo Elite TE-75 - see page 308

MYX TPL 211 SS
LHD 127.0640.219
RHD 127.0640.511
£770

01 02 03 04 05 06 07 08 09



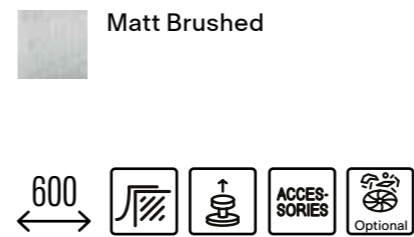
Dimensions **860x520mm**
Installation **846x506mm cr=10 (inset)**
860.8x520.8mm cr=10.4 (flushmount)
Bowl **Main Bowl: 340x400x200mm**
Second Bowl: 160x400x150mm



Recommended Product
Plumbing Kit
Siphon 2 £39
Suggested WDU
Turbo Elite TE-75 - see page 308

MYX 251 TPL SS
LHD 127.0640.514
RHD 127.0640.515
£850

01 02 03 04 05 06 07 08 09



Suggested Accessories



03 Mobile Drainer
112.0602.288
£128

04 Mythos Chopping Board
112.0591.082
£128

05 Rollamat
112.0591.081
£96

06 Silicon Chopping Board
112.0342.598
£38

07 Gastronorm Adaptor
112.0357.743
£35

08 Gastronorm Strainer Bowl
112.0384.902
£42

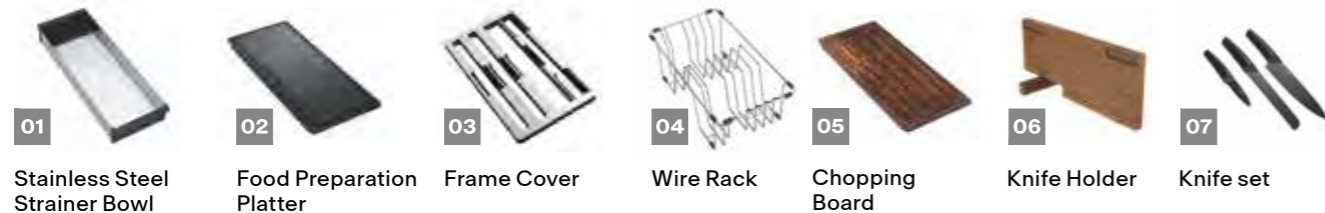
09 Gastronorm Tray
112.0384.903
£48

Box Center



Also available in undermount models - see page 45

Accessories included with Box Center BWX 220 100-27 and BWX 120-41-27



01 Stainless Steel Strainer Bowl 02 Food Preparation Platter 03 Frame Cover 04 Wire Rack 05 Chopping Board 06 Knife Holder 07 Knife set



Matt Brushed

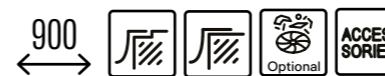


Separate compartment:
Can be fitted as a standalone

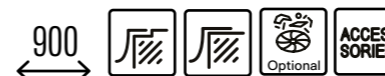


Matt Brushed

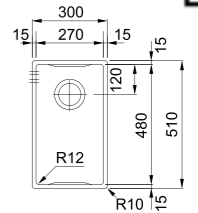
Note: Accessories fit laterally
across the main bowl



Matt Brushed



Dimensions **300x510mm**
Installation **280x490mm cr=10 (inset)**
302x512mm cr=11 (flushmount)
Bowl **270x480x200mm**

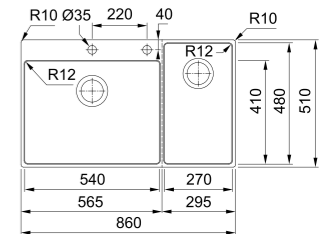


Recommended Product
Plumbing Kit
Siphon 1 £27
Suggested WDU
Turbo Elite TE-75 - see page 308

BWX 220 110-27
127.0611.738
£847

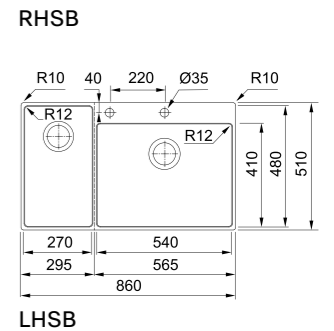


Dimensions **860x510mm**
Installation **840x490mm cr=12**
Bowl **540x410x200mm/**
270x480x200mm

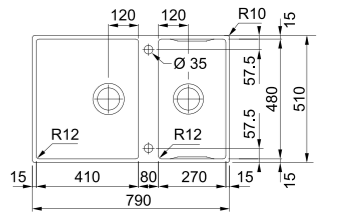


Recommended Product
Plumbing Kit
Siphon 2 £39
Suggested WDU
Turbo Elite TE-75 - see page 308

BWX 220 54-27
LHSB 127.0570.616
RHSB 127.0570.617
£1745



Dimensions **790x510mm**
Installation **770x490mm cr=10 (inset)**
792x512mm cr=11 (flushmount)
Bowl **410x480x200mm/**
270x480x200mm



Recommended Product
Plumbing Kit
Siphon 2 £39
Suggested WDU
Turbo Elite TE-75 - see page 308

BWX 220 41-27
127.0611.736
Reversible
£1841



Studio

MYTHOS



50 YEARS GUARANTEE

Silk

Requires 900x900mm corner base cabinet

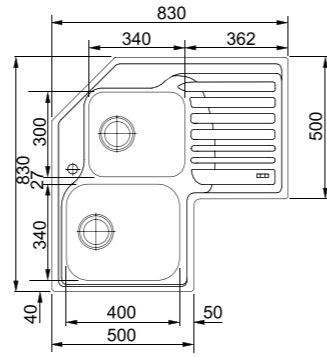


Dimensions **830x830mm**
Installation **Utilise template**
Bowl **340x400x200mm/**
300x340x200mm

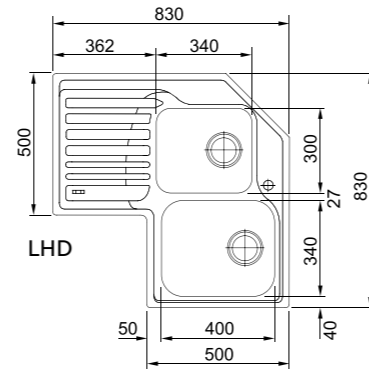
Recommended Product
Plumbing Kit
Siphon 2 £39
Suggested WDU
Turbo Elite TE-75 - see page 308

STX 621-E
LHD 101.0001.045
RHD 101.0001.044
£571

01 02



RHD



LHD



All-In
Please see page 311 to select a combination of accessories.



Stainless Steel Strainer Bowl
112.0057.850
£136

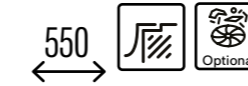
Mythos

MYTHOS



50 YEARS GUARANTEE

Matt Brushed

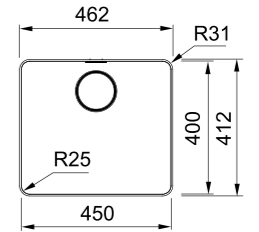


Dimensions **462x412mm**
Installation **Utilise template**
Bowl **450x400x200mm**

Recommended Product
Plumbing Kit
Siphon 1 £27
Suggested WDU
Turbo Elite TE-50 - see page 308

MYX 210-45
127.0607.088
£544

01 02 03

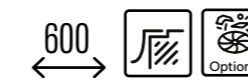


MYTHOS



50 YEARS GUARANTEE

Matt Brushed

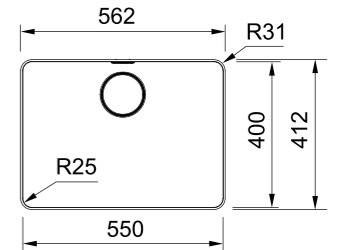


Dimensions **562x412mm**
Installation **Utilise template**
Bowl **550x400x200mm**

Recommended Product
Plumbing Kit
Siphon 1 £27
Suggested WDU
Turbo Elite TE-50 - see page 308

MYX 210-55
127.0607.101
£655

01 02 03



Mythos

Also available as undermount - see page 51

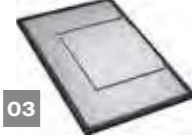
Suggested Accessories



Rollamat
112.0591.081
£96



Stainless Steel Strainer Bowl
112.0659.398
£160



Mobile Drainer
112.0602.288
£128



MYTHOS



50 YEARS GUARANTEE

Matt Brushed

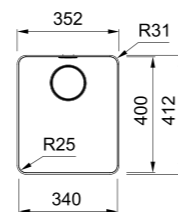


Dimensions **352x412mm**
Installation **Utilise template**
Bowl **340x400x200mm**

Recommended Product
Plumbing Kit
Siphon 1 £27
Suggested WDU
Turbo Elite TE-50 - see page 308

MYX 210 34
127.0607.087
£466

01 02 03



MYTHOS



50 YEARS GUARANTEE

Matt Brushed

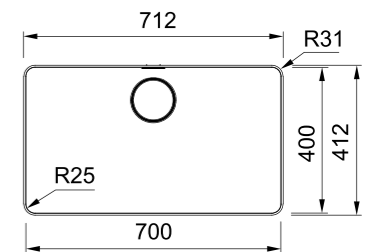


Dimensions **712x412mm**
Installation **Utilise template**
Bowl **700x400x200mm**

Recommended Product
Plumbing Kit
Siphon 1 £27
Suggested WDU
Turbo Elite TE-50 - see page 308

MYX 210-70
127.0607.102
£737

01 02 03





Matt Brushed

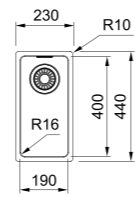


Dimensions **230x440mm**
Installation **200x410mm cr=10**
Bowl **190x400x130mm**

Recommended Product
Plumbing Kit
Siphon 1 £27
Suggested WDU
Turbo Elite TE-50 - see page 308

MRX 210-19
127.0553.950
£229

01 02 03



Maris

Also available in undermount models - see page 55



Matt Brushed

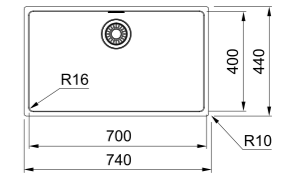


Dimensions **740x440mm**
Installation **710x410mm cr=10**
Bowl **700x400x180mm**

Recommended Product
Plumbing Kit
Siphon 1 £27
Suggested WDU
Turbo Elite TE-50 - see page 308

MYX 210 70
127.0531.916
£575

01 02 03



Matt Brushed

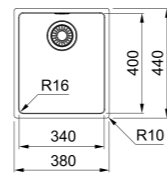


Dimensions **380x440mm**
Installation **350x410mm cr=10**
Bowl **340x400x180mm**

Recommended Product
Plumbing Kit
Siphon 1 £27
Suggested WDU
Turbo Elite TE-50 - see page 308

MRX 210-34
127.0531.915
£342

01 02 03



Matt Brushed

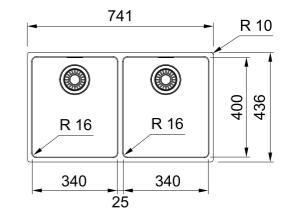


Dimensions **745x440mm**
Installation **715x410mm cr=10**
Bowl **340x400x180mm/340x400x180mm**

Recommended Product
Plumbing Kit
Siphon 2 £39
Suggested WDU
Turbo Elite TE-50 - see page 308

MRX 220 34-34
127.0531.913
£627

01 02 03



Matt Brushed

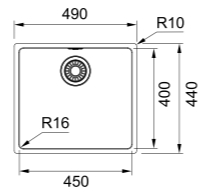


Dimensions **490x440mm**
Installation **460x410mm cr=10**
Bowl **450x400x180mm**

Recommended Product
Plumbing Kit
Siphon 1 £27
Suggested WDU
Turbo Elite TE-50 - see page 308

MRX 210-45
127.0553.961
£350

01 02 03



Matt Brushed

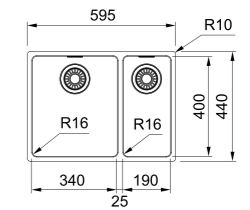


Dimensions **595x440mm**
Installation **565x410mm cr=10**
Bowl **340x400x180mm/190x400x130mm**

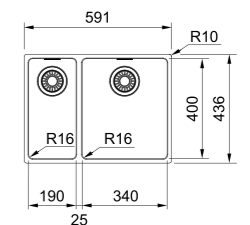
Recommended Product
Plumbing Kit
Siphon 2 £39
Suggested WDU
Turbo Elite TE-50 - see page 308

MRX 260 34-19
LHSB 127.0553.963
RHSB 127.0570.247
£627

01 02 03



RHSB



LHSB



Matt Brushed

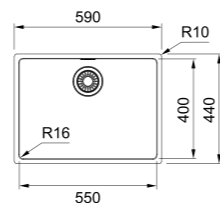


Dimensions **590x440mm**
Installation **560x410mm cr=10**
Bowl **550x400x180mm**

Recommended Product
Plumbing Kit
Siphon 1 £27
Suggested WDU
Turbo Elite TE-50 - see page 308

MRX 210-55
127.0553.962
£448

01 02 03



Suggested Accessories



All-In
Please see page 311 to select a combination of accessories.



Rollamat 42
112.0030.882
£96



Mobile Drainer (342x430mm)
112.0188.651
£132

Epos

MARIS



Dimensions **1000x510mm**
Installation **984x494mm cr=10**
Bowl **445x390x175mm**

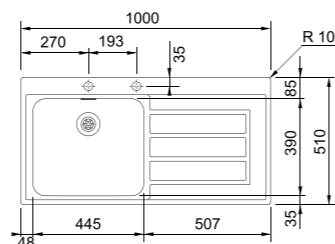
50 YEARS
GUARANTEE

Silk

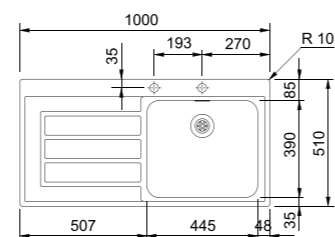


Recommended Product
Plumbing Kit
Siphon 1 £27
Suggested WDU
Turbo Elite TE-50 - see page 308

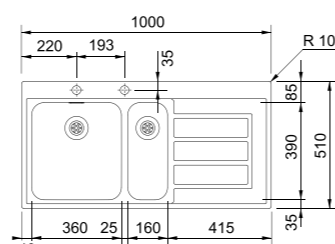
EOX 611
LHD 101.0381.857
RHD 101.0381.858
£453



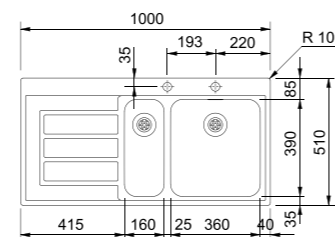
RHD



LHD



RHD



LHD

MARIS



Dimensions **1000x510mm**
Installation **984x494mm cr=10**
Bowl **360x390x175mm/**
160x390x120mm

50 YEARS
GUARANTEE

Silk



Recommended Product
Plumbing Kit
Siphon 2 £39
Suggested WDU
Turbo Elite TE-50 - see page 308

EOX 651
LHD 101.0381.860
RHD 101.0381.861
£528

MARIS



Dimensions **864x514mm**
Installation **855x506mm cr=20**
Bowl **360x420x190mm**

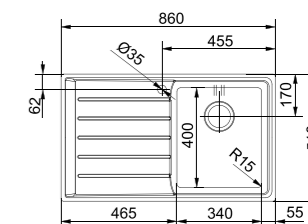
50 YEARS
GUARANTEE

Silk



Recommended Product
Plumbing Kit
Siphon 1 £27
Suggested WDU
Turbo Elite TE-50 - see page 308

NEX 211
LHD 127.0059.655
RHD 127.0059.654
£426



MARIS



Dimensions **1004x514mm**
Installation **995x506mm cr=20**
Bowl **360x420x190mm/**
167x306x152mm

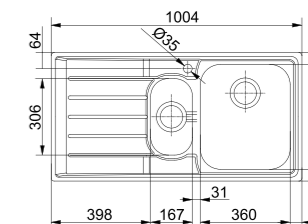
50 YEARS
GUARANTEE

Silk



Recommended Product
Plumbing Kit
Siphon 2 £39
Suggested WDU
Turbo Elite TE-50 - see page 308

NEX 251
LHD 127.0059.717
RHD 127.0059.658
£504



Suggested Accessories



All-In
Please see page 311 to select
a combination of accessories.



Rollamat 44
112.0180.355
£96



Stainless Steel Strainer Bowl
112.0040.691
£74

Maris

MARIS



50 YEARS GUARANTEE

Silk

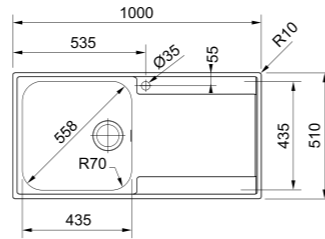


Dimensions **1000x510mm**
Installation **987x497mm cr=10**
Bowl **435x435x180mm**

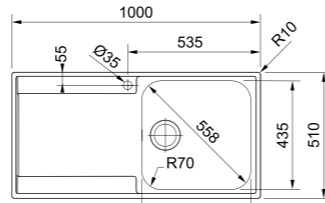
Recommended Product
Plumbing Kit
Siphon 1 £27
Suggested WDU
Turbo Elite TE-50 - see page 308

MRX 211
LHD 127.0305.144
RHD 127.0305.145
£398

01 02



RHD



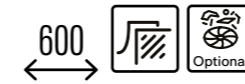
LHD

SMART



50 YEARS GUARANTEE

Silk

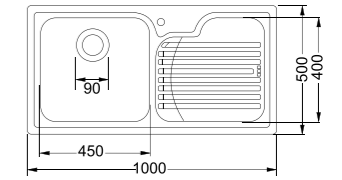


Dimensions **1000x500mm**
Installation **980x480mm cr=20**
Bowl **450x400x190mm**

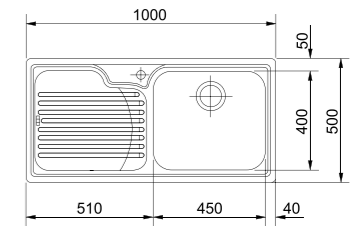
Recommended Product
Plumbing Kit
Siphon 1 £27
Suggested WDU
Turbo Elite TE-50 - see page 308

GAX 611
LHD 101.0305.130
RHD 101.0305.141
£294

01



RHD



LHD

MARIS



50 YEARS GUARANTEE

Silk

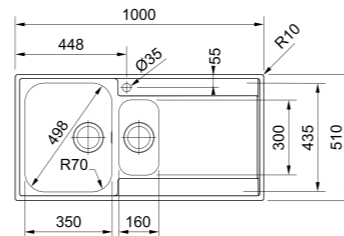


Dimensions **1000x510mm**
Installation **987x497mm cr=10**
Bowl **350x435x175mm/160x300x120mm**

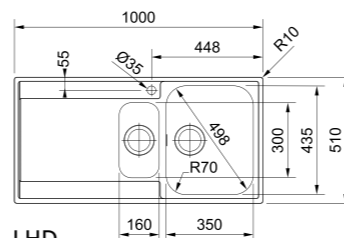
Recommended Product
Plumbing Kit
Siphon 2 £39
Suggested WDU
Turbo Elite TE-50 - see page 308

MRX 251
LHD 127.0305.146
RHD 127.0305.147
£459

01 02 03



RHD



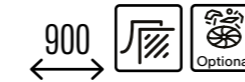
LHD

SMART



50 YEARS GUARANTEE

Silk

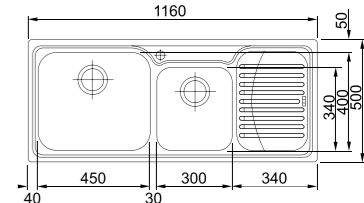


Dimensions **1160x500mm**
Installation **1140x480mm cr=20**
Bowl **450x400x190mm/300x340x170mm**

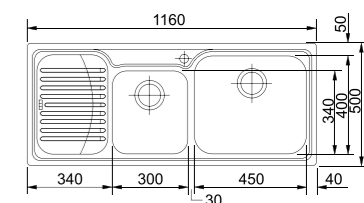
Recommended Product
Plumbing Kit
Siphon 2 £39
Suggested WDU
Turbo Elite TE-50 - see page 308

GAX 621
LHD 101.0381.849
RHD 101.0381.851
£419

01



RHD



LHD

Suggested Accessories



All-In
Please see page 311 to select a combination of accessories.



Rollamat 36
112.0075.642
£96



Stainless Steel Strainer Bowl
112.0041.519
£72

Suggested Accessories



All-In
Please see page 311 to select a combination of accessories.

Suggested Accessories



All-In
Please see page 311 to select a combination of accessories.



Stainless Steel Strainer Bowl
112.0041.519
£72

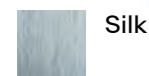
SMART



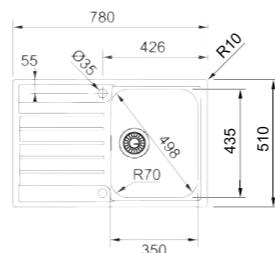
Dimensions **780x510mm**
Installation **766x496 cr=10**
Bowl **350x435x175mm**

Recommended Product
Plumbing Kit
Siphon 1 £27
Suggested WDU
Turbo Elite TE-50 - see page 308

50 YEARS GUARANTEE



Silk



AGX 611-78
Reversible
101.0607.697
£212

01

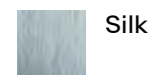
SMART



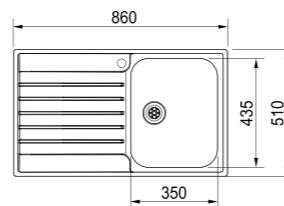
Dimensions **860x510mm**
Installation **846x496 cr=10**
Bowl **350x435x175mm**

Recommended Product
Plumbing Kit
Siphon 1 £27
Suggested WDU
Turbo Elite TE-50 - see page 308

50 YEARS GUARANTEE



Silk



AGX 611-86
Reversible
101.0531.599
£230

01

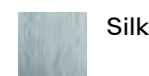
SMART



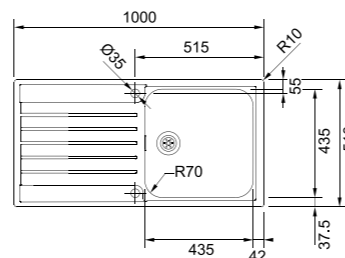
Dimensions **1000x510mm**
Installation **984x494 cr=10**
Bowl **435x435x180mm**

Recommended Product
Plumbing Kit
Siphon 1 £27
Suggested WDU
Turbo Elite TE-50 - see page 308

50 YEARS GUARANTEE



Silk



AGX 611-100
Reversible
101.0531.600
£314

01

Argos

Argos

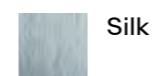
SMART



Dimensions **1000x510mm**
Installation **984x494 cr=10**
Bowl **350x435x175mm/**
160x300x120mm

Recommended Product
Plumbing Kit
Siphon 2 £39
Suggested WDU
Turbo Elite TE-50 - see page 308

50 YEARS GUARANTEE

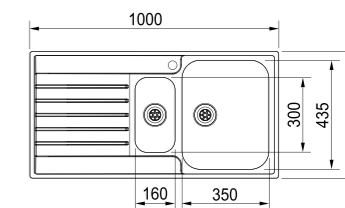


Silk



AGX 651
Reversible
101.0531.651
£344

01 02



Spark

SMART

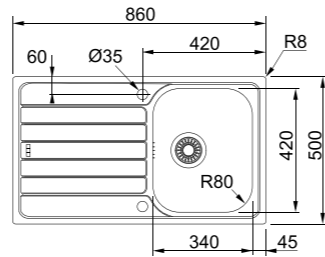


Dimensions **860x500mm**
Installation **840x480 cr=10**
Bowl **340x420x160mm**

Recommended Product
Plumbing Kit
Siphon 1 £27
Suggested WDU
Turbo Elite TE-75 - see page 308

50
YEARS
GUARANTEE

Silk



SKX 611-86
Reversible
101.0489.946
£179

SMART

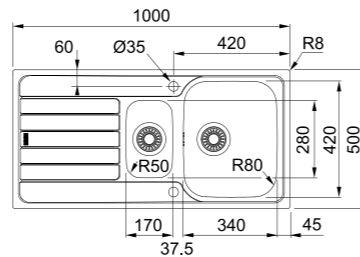


Dimensions **1000x500mm**
Installation **980x480 cr=10**
Bowl **340x420x155mm/**
170x280x80mm

Recommended Product
Plumbing Kit
Siphon 2 £39
Suggested WDU
Turbo Elite TE-75 - see page 308

50
YEARS
GUARANTEE

Silk



SKX 651
Reversible
101.0489.947
£239

Utility

SMART



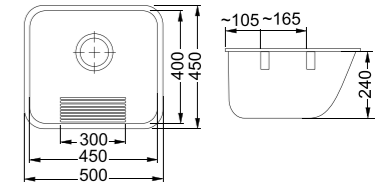
Dimensions **500x450mm**
Installation **460x410 cr=50**
Bowl **450x400x240mm**

Recommended Product
Plumbing Kit
Siphon 1 £27
Suggested WDU
Turbo Elite TE-75 - see page 308

50
YEARS
GUARANTEE

Brushed

Features angled front rubbing board.
Not suitable for solid surface installation



UTX 610
113.0159.658
£366

Rotondo

SMART



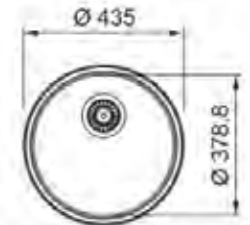
Dimensions **Ø435**
Installation **Ø415**
Bowl **Ø378.8x170mm**

Recommended Product
Plumbing Kit
Siphon 1 £27
Suggested WDU
Turbo Elite TE-75 - see page 308

50
YEARS
GUARANTEE

UPDATED

Brushed



RBX 610
101.0693.443
£352



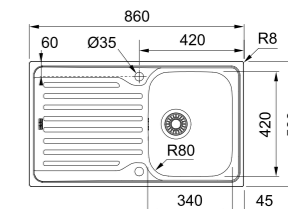


SMART



Dimensions **860x500mm**
Installation **840x480 cr=10**
Bowl **340x420x160mm**

Recommended Product
Plumbing Kit
Siphon 1 £27
Suggested WDU
Turbo Elite TE-75 - see page 308



50 YEARS
GUARANTEE

Polished with Satin bowl



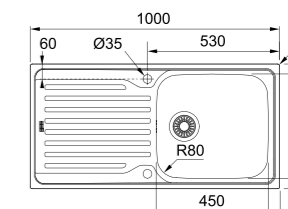
AZN 611-86
Reversible
101.0489.523
£142

SMART



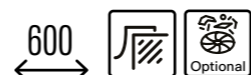
Dimensions **1000x500mm**
Installation **980x480 cr=10**
Bowl **450x420x160mm**

Recommended Product
Plumbing Kit
Siphon 1 £27
Suggested WDU
Turbo Elite TE-75 - see page 308



50 YEARS
GUARANTEE

Polished with Satin bowl



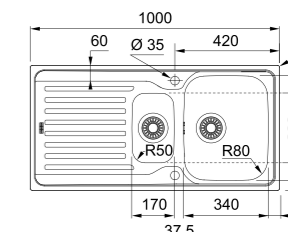
AZN 611-100
Reversible
101.0489.525
£176

SMART



Dimensions **1000x500mm**
Installation **980x480 cr=10**
Bowl **340x420x155mm/**
170x280x80 mm

Recommended Product
Plumbing Kit
Siphon 2 £39
Suggested WDU
Turbo Elite TE-75 - see page 308



50 YEARS
GUARANTEE

Polished with Satin bowl



AZN 651
Reversible
101.0489.526
£186



Fragran ite Inset Sinks

99
101
103

Urban
Basis
Antea



Urban



PLEASE REFER TO FRANKE WEBSITE FOR CUT-OUT INFORMATION FOR THE URBAN RANGE.



MARIS
01
50 YEARS GUARANTEE

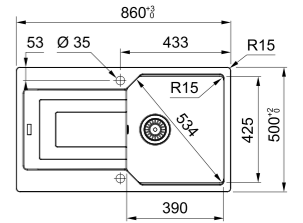


Dimensions **860x500mm**
Bowl **390x425x220mm**

Recommended Product
Plumbing Kit
Siphon 1 £27
Suggested WDU
Turbo Elite TE-50 - see page 308

- | | |
|--|---|
| Polar White
114.0689.377
£471 | Stone Grey
114.0689.379
£471 |
| Coffee
114.0689.381
£471 | Matt Black
114.0689.378
£495
<small>Includes Matt Black waste kit</small> |
| Oyster
114.0689.382
£471 | |

500
UBG 611-86
Reversible



MARIS
01
50 YEARS GUARANTEE

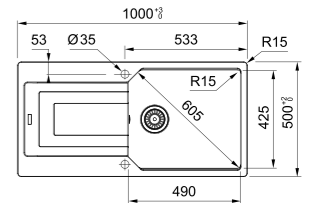


Dimensions **1000x500mm**
Bowl **490x425x220mm**

Recommended Product
Plumbing Kit
Siphon 1 £27
Suggested WDU
Turbo Elite TE-50 - see page 308

- | | |
|--|---|
| Polar White
114.0689.383
£494 | Stone Grey
114.0689.385
£494 |
| Coffee
114.0689.387
£494 | Matt Black
114.0689.384
£519
<small>Includes Matt Black waste kit</small> |
| Oyster
114.0689.388
£494 | |

600
UBG 611-100
Reversible



MARIS
01
50 YEARS GUARANTEE

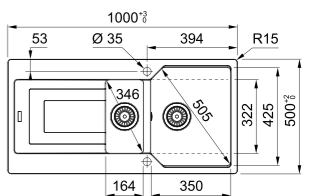


Dimensions **1000x500mm**
Bowl **390x425x220mm/**
166x322x139mm

Recommended Product
Plumbing Kit
Siphon 2 £39
Suggested WDU
Turbo Elite TE-50 - see page 308

- | | |
|--|---|
| Polar White
114.0689.389
£532 | Stone Grey
114.0689.391
£532 |
| Coffee
114.0689.393
£532 | Matt Black
114.0689.390
£559
<small>Includes Matt Black waste kit</small> |
| Oyster
114.0689.394
£532 | |

600
UBG 651
Reversible



Suggested Accessories



All-In
Please see page 311 to select a combination of accessories.



115.0653.371
Active L Spout
Dual Spray Pull Out Tap
in Matt Black



Urban Matt Black sinks are automatically supplied with Colourline waste kits. All other sinks are supplied with chrome waste as standard.

Basis



Suggested Accessories



All-In
Please see page 311 to select
a combination of accessories.



115.0051.172
Zurich Chrome Tap

MARIS
01
50 YEARS
GUARANTEE



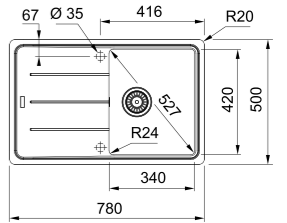
Dimensions **780x500mm**
Installation **760x480mm cr=10**
Bowl **340x420x200mm**

Recommended Product
Plumbing Kit
Siphon 1 £27
Suggested WDU
Turbo Elite TE-50 - see page 308

 Polar White 114.0253.155 £439	 Stone Grey 114.0501.283 £439
 Coffee 114.0253.150 £439	 Onyx 114.0253.153 £439
 Oyster 114.0633.735 £439	

450
↔

BFG 611-78
Reversible



MARIS
01
50 YEARS
GUARANTEE



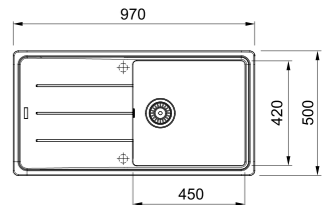
Dimensions **970x500mm**
Installation **950x480mm cr=10**
Bowl **450x420x200mm**

Recommended Product
Plumbing Kit
Siphon 1 £27
Suggested WDU
Turbo Elite TE-50 - see page 308

 Polar White 114.0284.677 £449	 Stone Grey 114.0484.967 £449
 Coffee 114.0284.678 £449	 Onyx 114.0284.679 £449
 Oyster 114.0633.736 £449	

600
↔

BFG 611-97
Reversible

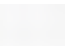

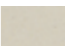

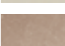


MARIS
01
50 YEARS
GUARANTEE



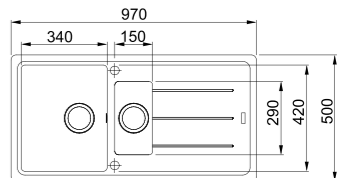
Dimensions **970x500mm**
Installation **950x480mm cr=10**
Bowl **340x420x200mm /**
150x290x100mm

Recommended Product
Plumbing Kit
Siphon 2 £39
Suggested WDU
Turbo Elite TE-50 - see page 308

 Polar White 114.0253.259 £479	 Stone Grey 114.0484.968 £479
 Coffee 114.0253.257 £479	 Onyx 114.0253.258 £479
 Oyster 114.0633.737 £479	

600
↔

BFG 651
Reversible



Antea



Suggested Accessories



All-In
Please see page 311 to select
a combination of accessories.



115.0638.827
Atlas Neo Sensor
Pull Out Nozzle
in Stainless Steel

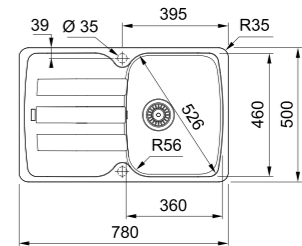
SMART
01
50
YEARS
GUARANTEE



Dimensions **780x500mm**
Installation **764x484mm cr=20**
Bowl **360x460x210mm**

Recommended Product
Plumbing Kit
Siphon 1 £27
Suggested WDU
Turbo Elite TE-50
- see page 308

Polar White
114.0532.312
£381
Stone Grey
114.0633.738
£381
Onyx
114.0532.311
£381



450

AZG 611-78
Reversible



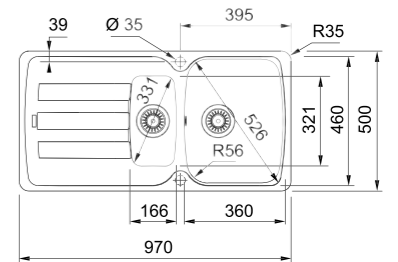
SMART
01
50
YEARS
GUARANTEE



Dimensions **970x500mm**
Installation **950x480mm cr=20**
Bowl **460x360x210mm/**
155x310x115mm

Recommended Product
Plumbing Kit
Siphon 2 £39
Suggested WDU
Turbo Elite TE-50
- see page 308

Polar White
114.0532.315
£444
Stone Grey
114.0633.740
£444
Onyx
114.0532.314
£444



600

AZG 651
Reversible



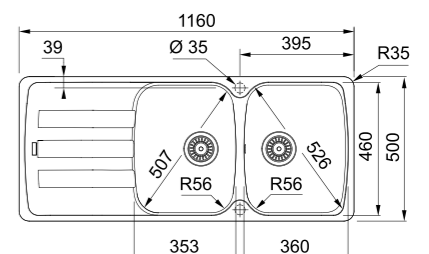
SMART
01
50
YEARS
GUARANTEE



Dimensions **1160x500mm**
Installation **1140x480mm cr=20**
Bowl **360x460x210mm/**
360x460x210mm

Recommended Product
Plumbing Kit
Siphon 2 £39
Suggested WDU
Turbo Elite TE-50
- see page 308

Polar White
114.0532.317
£507
Stone Grey
114.0633.742
£507
Onyx
114.0532.318
£507



800

AZG 621
Reversible





Tectonite Inset Sinks

107

Orion

Orion



Suggested Accessories



01

Chopping Board
112.0595.334
£69



115.0567.621
Krios L-Spout Gunmetal

SMART

50
YEARS
GUARANTEE

600

OID 611-94
Reversible



Polar White
114.0381.756
£322

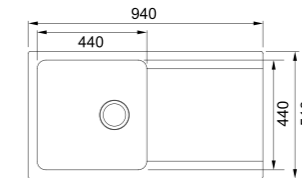
Carbon Black
114.0381.758
£322



01

Dimensions **940x510mm**
Installation **924x494mm cr=7.5**
Bowl **440x440x190mm**

Recommended Product
Plumbing Kit
Siphon 1 £27
Suggested WDU
Turbo Elite TE-50- see page 308



SMART

50
YEARS
GUARANTEE

600

OID 651
Reversible



Polar White
114.0381.759
£383

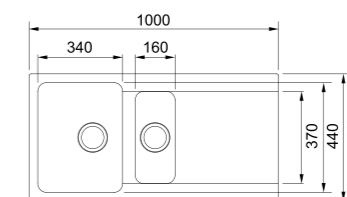
Carbon Black
114.0381.791
£383



01

Dimensions **1000x510mm**
Installation **984x494mm cr=7.5**
Bowl **340x440x190mm/
160x370x140mm**

Recommended Product
Plumbing Kit
Siphon 2 £39
Suggested WDU
Turbo Elite TE-50- see page 308





Ceramic Inset Sinks

111	Elba
112	Galassia
113	Arcana
115	Belfast

Ceramic sink measurements may vary +/-1% due to the firing process. We recommend that the sink should be used as a template in all cases.

Extended flange required if installing a waste disposal unit* - see page 308

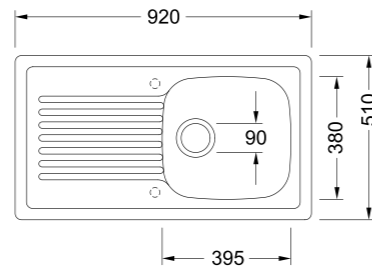
MARIS



Dimensions **920x510mm**
Installation **880x460mm cr=20**
Bowl **395x380x185mm**
Ext. bowl depth: **210mm**

Gloss White
124.0307.010
£648

Recommended Product
Plumbing Kit
Siphon 1 £27
Suggested WDU
Turbo Elite TE-50 - see page 308



50 YEARS GUARANTEE

ELK 611
Reversible



500

500mm cabinet wall may require modification to accommodate overflow

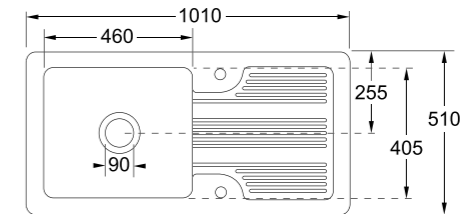
MARIS



Dimensions **1010x510mm**
Installation **970x480mm cr=20**
Bowl **460x405x200mm**
External bowl depth **TBC**

Gloss White
124.0305.163
£592

Recommended Product
Plumbing Kit
Siphon 1 £27
Suggested WDU
Turbo Elite TE-50 - see page 308



50 YEARS GUARANTEE

GAK 611
Reversible



800

More suited to left hand format. In right hand mode the overflow will be situated at the front of the bowl

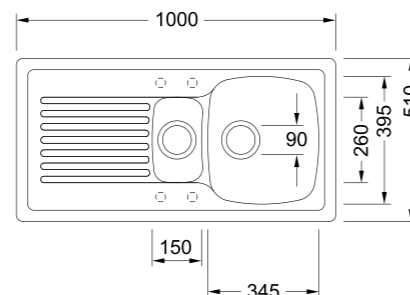
MARIS



Dimensions **990x500mm**
Installation **970x470mm cr=20**
Bowl **345x395x185mm/150x260x100mm**
Ext. bowl depth: **210mm**

Gloss White
124.0307.011
£722

Recommended Product
Plumbing Kit
Siphon 2 £39
Suggested WDU
Turbo Elite TE-50 - see page 308



50 YEARS GUARANTEE

ELK 651
Reversible



600

More suited to right hand format. In left hand mode the overflow will be situated at the front of the half bowl

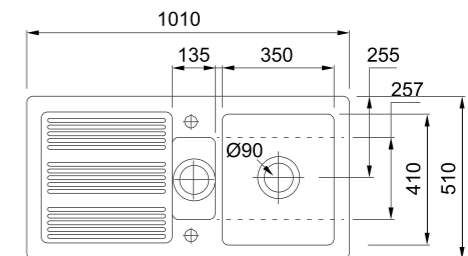
MARIS



Dimensions **1010x510mm**
Installation **975x495mm cr=10**
Bowl **350x410x240mm/135x257x120mm**
Ext. bowl depth: **210mm**

Gloss White
124.0533.654
£624

Recommended Product
Plumbing Kit
Siphon 2 £39
Suggested WDU
Turbo Elite TE-50 - see page 308



50 YEARS GUARANTEE

GAK 651
Reversible



600

*NB: Batch feed WDU's are not compatible with ceramic sinks.

*NB: Batch feed WDU's are not compatible with ceramic sinks.

Arcana



FRANKE
by
Villeroy & Boch



115.0049.989
Eiger Tap in chrome

Ceramic sink measurements may vary +/-1% due to the firing process. We recommend that the sink should be used as a template in all cases. Extended flange required if installing a waste disposal unit*- see page 304

MARIS



50
YEARS
GUARANTEE

AHK 611
Reversible

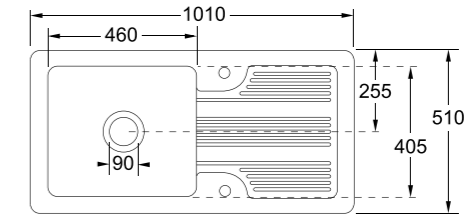
600



Dimensions **1000x500mm**
Installation **970x480mm cr=10**
Bowl **440x405x220mm**
Ext. bowl depth: **220mm**

Gloss White
124.0532.228
£562

Recommended Product
Plumbing Kit
Siphon 1 £27
Suggested WDU
Turbo Elite TE-50 - see page 308



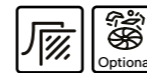
MARIS



50
YEARS
GUARANTEE

AHK 651
Reversible

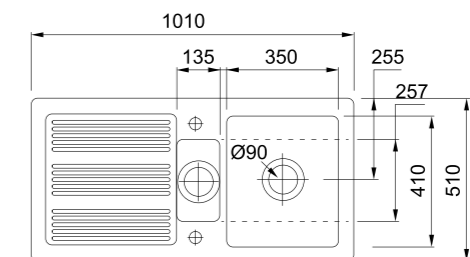
600



Dimensions **1000x510mm**
Installation **970x480mm cr=10**
Bowl **310x410x200mm**
Ext. bowl depth: **220**
160x310x115mm
Ext. bowl depth: **137**

Gloss White
124.0532.229
£619

Recommended Product
Plumbing Kit
Siphon 2 £39
Suggested WDU
Turbo Elite TE-50 - see page 308



*NB: Batch feed WDU's are not compatible with ceramic sinks.

Belfast



FRANKE
by
Villeroy & Boch

MYTHOS



50 YEARS
GUARANTEE

600

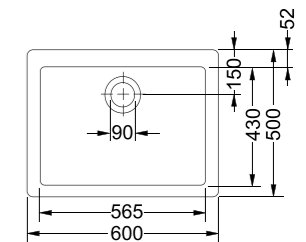


Dimensions **600x500mm**
Installation **N/A**
Bowl **565x430x180mm**
Ext. bowl depth: **200mm**

Gloss White

Recommended Product
Plumbing Kit
Siphon 1 £27
Suggested WDU
Turbo Elite TE-50 - see page 308

VBK 710
130.0381.800
£611



MYTHOS



50 YEARS
GUARANTEE

800

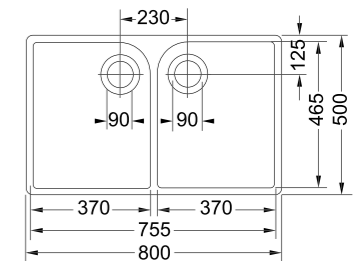


Dimensions **800x500mm**
Installation **N/A**
Bowl **370x465x200mm/**
370x465x200mm
Ext. bowl depth: **220mm**

Gloss White

Recommended Product
Plumbing Kit
Siphon 2 £39
Suggested WDU
Turbo Elite TE-50 - see page 308

VBK 720
130.0381.811
£855



MARIS



50 YEARS
GUARANTEE

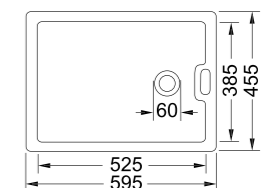
600

Dimensions **595x455mm**
Installation **Utilise template**
Bowl **525x380x215mm**
Ext. bowl depth: **250mm**

Gloss White

Recommended Product
Plumbing Kit
Siphon 1 £27
Suggested WDU
Turbo Elite TE-50 - see page 308

BAK 710
130.0305.150
£457



Note: Franke by Villeroy & Boch
Not compatible with WDU

*NB: Batch feed WDU's are not compatible with ceramic sinks.

Taps Overview

MYTHOS

MARIS

SMART

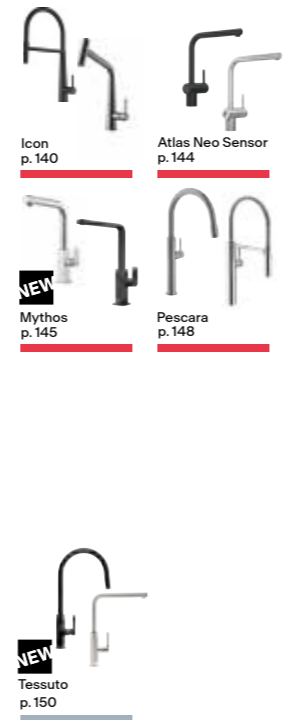
Taps Instant Boiling Water



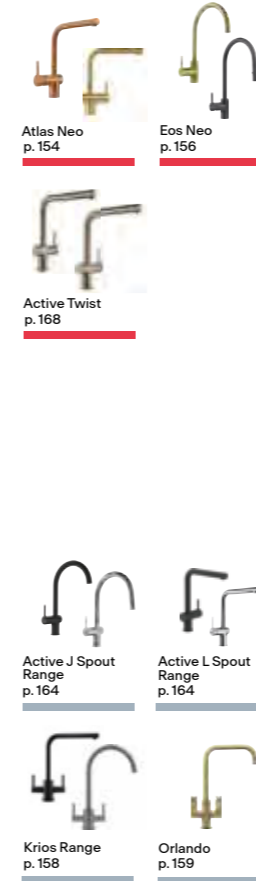
Taps Filtered Water



Taps Designer



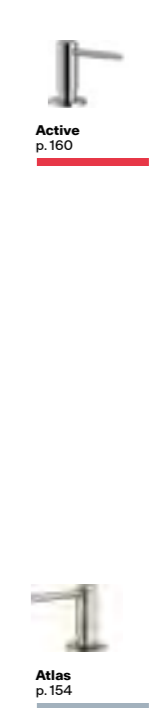
Taps Coloured



Taps Standard



Soap Dispenser









Instant Boiling Water Taps

Cook vegetables, create pasta dishes, sterilise babies bottles and make tea or coffee quicker than ever before with 100°C boiling water available instantly.

Please check your domestic water pressure in relation to the tap operating pressure before purchase.

Each filter lasts around 6 - 9 months and replacing the filter is as easy as changing a lightbulb.

	Functions	Filtered Cold	100°C Boiling	Mains Cold	Mains Hot
OMNI ORIGINAL & CONTEMPORARY 	4	✓	✓	✓	✓
MINERVA ORIGINAL, MONDIAL & HELIX ELECTRONIC 4-IN-1 	4	✓	✓	✓	✓
MINERVA HELIX & MONDIAL 3-IN-1 	3	✗	✓	✓	✓
MINERVA ORIGINAL 3-IN-1 	3	✗	✓	✓	✓

122

Minerva 4-in-1

124

Omni 4-in-1

126

Minerva 3-in-1

Minerva 4-in-1 Electronic Range

The electronically controlled Minerva 4-in-1 tap delivers 100°C boiling, warm, cold or cold filtered water in an instant.



The Minerva 4-in-1 Electronic features the M-Box

For a faster, flawless installation our popular Minerva 4-in-1 taps now feature the Franke M-Box. Incorporating a Franke Pro M filter, inlet combination, mixing valve set, gasket set and control box in a single unit, the M-Box tidies pipework and allows for horizontal or vertical installation in as little as 20 minutes.



Dimensions of tank
Width: 550mm
Height: 142mm
Depth: 211mm

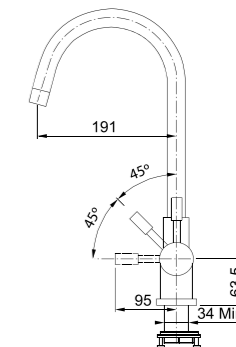
All prices are inclusive of VAT

MYTHOS



Minerva 4-in-1 Helix Electronic
Tap Height 408mm
Spout Reach 191mm
Base Diameter 54mm
Tap cut-out Diameter 35mm
Min-Max Operating Pressure 2-4

	Stainless Steel 119.0625.396 £1820		Anthracite 119.0668.073 £1878
	Champagne Gold 119.0625.397 £1878		Industrial Black 119.0625.400 £1878
	Copper 119.0625.398 £1878		

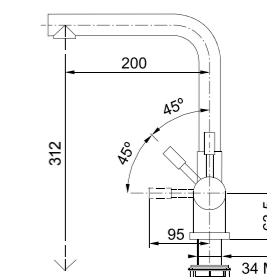


MYTHOS



Minerva 4-in-1 Mondial Electronic
Tap Height 312mm
Spout Reach 200mm
Base Diameter 54mm
Tap cut-out Diameter 35mm
Min-Max Operating Pressure 2-4

	Stainless Steel 119.0532.227 £1820		Anthracite 119.0668.074 £1878
	Champagne Gold 119.0625.371 £1878		Industrial Black 119.0625.395 £1878
	Copper 119.0625.348 £1878		

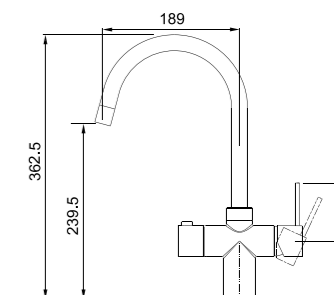


MYTHOS



Minerva 4-in-1 Original Mechanical
Tap Height 376mm
Spout Reach 189mm
Base Diameter 50mm
Tap cut-out Diameter 35mm
Min-Max Operating Pressure 2-4

	Chrome 119.0518.838 £1702
--	--



Omni 4-in-1 Range



The Omni 4-in-1 Range

Omni is a complete system, including tap, under sink boiler and filter. The filter provides high quality drinking water and also protects the boiler from limescale build-up. Each filter lasts around 6 - 9 months and replacing the filter is as easy as changing a lightbulb. Virtually no tools and minimal plumbing skills are required for installation.



Dimensions of tank
Width: 182mm
Height: 355mm
Depth: 233mm

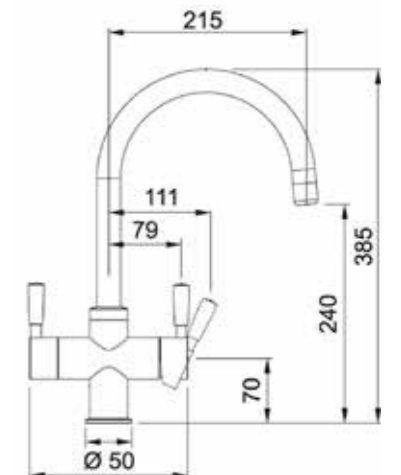
All prices are inclusive of VAT

MYTHOS



Omni Original 4-in-1 Mechanical
Tap Height **385mm**
Spout Reach **250mm**
Base Diameter **42mm**
Tap cut-out Diameter **35mm**
Min-Max Operating Pressure **1.5-5**

Stainless Steel
119.0389.913
£1527

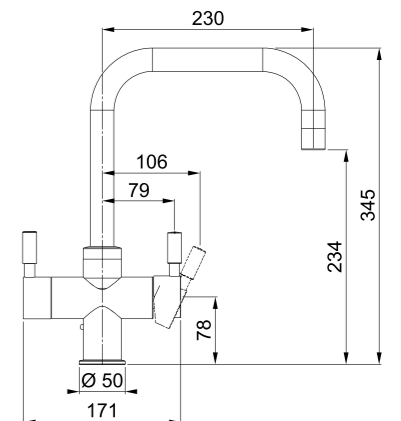


MYTHOS



Omni Contemporary 4-in-1 Mechanical
Tap Height **345mm**
Spout Reach **255mm**
Base Diameter **50mm**
Tap cut-out Diameter **35mm**
Min-Max Operating Pressure **1.5-5**

Stainless Steel
119.0517.663
£1527



Omni is safer than a traditional kettle in so many ways; there are no cords which can be pulled to avoid any nasty accidents as on a kettle. The childproof push-to-activate lever helps to keep boiling water away from little hands. The lever is also spring loaded to switch off instantly if any splashes occur. A child safety clip is provided for total protection from curious little hands or visitors to your home. All this and the patented chassis engineering means the tap is never too hot to the touch. It stays cool even when producing boiling water.



Minerva 3-in-1 Range



The Minerva 3-in-1 Range

The Minerva 3-in-1 tap provides hot, cold and 100°C boiling water. The humble kitchen tap is transformed into a space-saving, time-saving helper with this boiling water tap and there are 3 stylish designs to choose from. Safety is assured with a two-step safety handle, while the fully insulated spout and handle ensure that they both stay cool to the touch. The Minerva system features a space-saving water tank that fits discreetly into your kitchen so that boiling water is always ready when you need it.



Dimensions of tank
Width: 550mm
Height: 142mm
Depth: 211mm

All prices are inclusive of VAT

MARIS



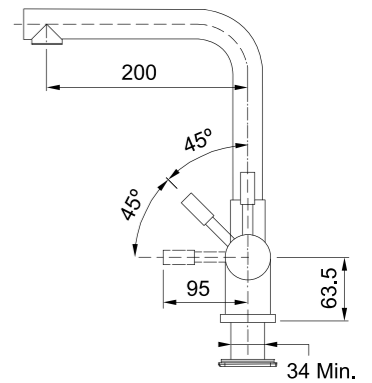
2 YEARS PARTS GUARANTEE

2 YEARS FINISH GUARANTEE



Minerva 3-in-1 Mondial Mechanical
Tap Height 330mm
Spout Reach 200mm
Base Diameter 54mm
Tap cut-out Diameter 35mm
Min-Max Operating Pressure 2-4

Solid Stainless Steel
119.0518.864
£1291



MARIS



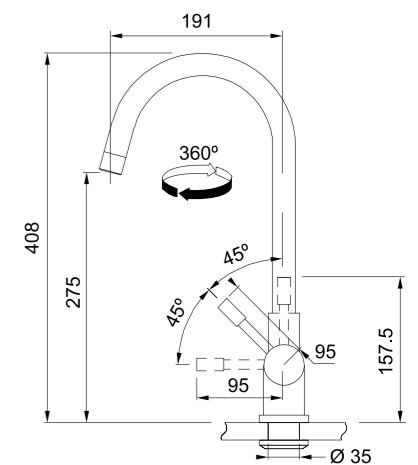
2 YEARS PARTS GUARANTEE

2 YEARS FINISH GUARANTEE



Minerva 3-in-1 Helix Mechanical
Tap Height 407mm
Spout Reach 191mm
Base Diameter 54mm
Tap cut-out Diameter 35mm
Min-Max Operating Pressure 2-4

Solid Stainless Steel
119.0518.863
£1291



MARIS



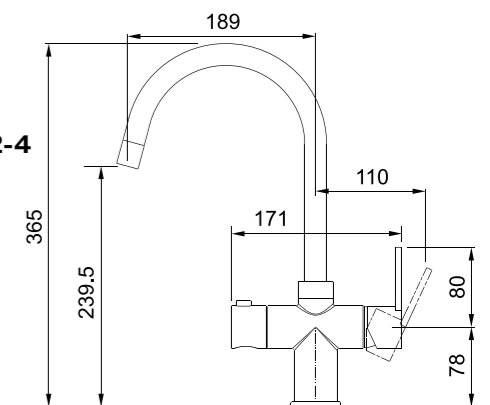
2 YEARS PARTS GUARANTEE

2 YEARS FINISH GUARANTEE



Minerva 3-in-1 Original
Tap Height 362.5mm
Spout Reach 189mm
Base Diameter 50mm
Tap cut-out Diameter 35mm
Min-Max Operating Pressure 2-4

Chrome
119.0518.861
£1174





Filtered Water

129

Vital Capsule

136

Filter Mini

136

Doric

136

Tasso



Vital Capsule System

Small filter, bigger benefit.



For more information on the Vital Capsule System scan here.



Just what makes the Vital system such a big deal?

It's the small but mighty capsule filter.

This unique design is not only the smallest in the world, but also the first to combine activated carbon with a high-tech membrane capable of filtering and purifying water. Adapting to your usage needs and lifestyle, it's available in two variants - **High Flow** and **High Performance**.

- Enjoy pure, great tasting water directly from the tap
- Compact over sink design doesn't take up valuable cupboard space
- Removes contaminants while retaining vital minerals
- LED light indicates when the filter needs to be replaced
- Filter is quick and simple to replace

Save money and reduce plastic waste

Helping to lessen your environmental impact, the Vital system can help to reduce plastic bottle waste by 99%¹ and save families up to €400 per year².

Filter value parameters

Scope: 3.5L / min at 3 bar

Temperature range: 1 - 38°C (34 - 100°F)

Pressure range: 1.0 - 6.8 bar (14.5 - 100 psi)

Capacity: Up to 500L (132 gal), depending on water quality and pressure

¹ Calculation basis: weight of the Vital filter capsule = 33.5g, average weight of a 1 litre PET bottle = 35.0g, 1 Vital filter capsule replaces 500 PET bottles, then 33.5g divided by 500 x 35, 0 g = 0.2% ² Base of calculation: an average family of 4 consumes about 3,000 liters of water per year at the average price of EUR 0.20 per liter of mineral water; This results in a cost of EUR 600 per year compared to EUR 200 for six Vital filter capsules (recommended usage period 1 year).

Vital Capsule System

High Performance filter designed to deliver pure, great tasting water

Our Vital system's filter is not only the smallest in the world, but it's also the first to effectively combine activated carbon with Franke's patented membrane.

■ Pre-filter

The first line of defence, the pre-filter captures larger particles, eliminating coarse contamination such as rust.

■ Membrane*

The high-tech membrane is so ultra-fine that it retains microplastics and removes harmful germs.

■ Activated carbon fibre

A naturally effective filter that's been proven over decades, activated carbon can remove impurities such as chlorine, pesticides and hormones; it also removes unpleasant tastes and odours.

■ Water flow

Having passed through the different layers, you can be sure that the water flowing into your glass is completely free of contaminants.

Two filters to suit all conditions

Tailored to suit the water quality wherever you live, the Vital Filter system is available with two different filter types – the High Performance filter or the High Flow version.

*High Performance filter only



High Performance Filter

Delivering up to 500 litres of fresh drinking water straight from the tap, the High Performance filter is particularly suited to situations where the water quality remains within the limits shown in the table below. If these are exceeded, you should choose the High Flow filter, which is designed to help increase the water flow.

Prefilter

With a mesh 20 times denser than that of normal domestic water filters, this is highly effective at trapping rust, debris and fine sediments, ensuring considerably cleaner water.

Activated carbon

Activated carbon reduces chlorine, unpleasant tastes and odours and many other contaminants. Made from coconut shells, this layer has even smaller pores than other types of activated carbon filters, for water that is safe and good to drink.

Standard flow rates

Depending on the available water pressure, the High Performance filter capsule offers the following initial flow rates.

1,0 bar	2,0 L/min
2,0 bar	3,0 L/min
3,0 bar	3,5 L/min



High Flow Filter

Our High Flow filter gives you both pure, safe, great tasting tap water combined with an unparalleled flow rate in areas where it may be necessary to increase this. Featuring an activated carbon body and equipped with a pre-filter casing, it is the ideal solution in situations where our High Performance Filter may become affected by above-average sediment levels.

Standard flow rates

Depending on the available water pressure, the High Flow filter capsule offers the following initial flow rates.

0,5 bar	1,5 L/min
1,0 bar	2,5 L/min
1,5 bar	3,0 L/min
2,0 bar	3,5 L/min
3,0v bar	3,5 L/min

Water quality indicators

The High Flow Filter Capsule has been designed for use in the water quality conditions below.

Torbidità ¹	<1NTU
TOC ²	<2 mg/L

¹Turbidity is considered as a valid parameter for measuring water quality. WHO (2017). Quality guidelines Drinking Water, 4th Edition.
²Total Organic Carbon (TOC) is an indicator of the level of biological contamination of drinking water.

Vital Capsule System








MYTHOS

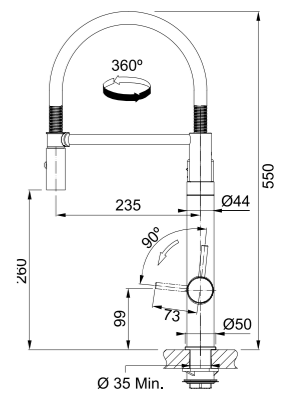


2 YEARS PARTS GUARANTEE



Vital 3-in-1 Filter Tap Semi-Pro 
 Tap Height 550mm
 Spout Reach 235mm
 Base Diameter 50mm
 Tap cut-out Diameter 35mm
 Pull-Out Spray Yes
 Suitable for low pressure No
 Perlator Yes

-   **Chrome/Gunmetal**
120.0621.230
£1027
-   **Decor Steel PVD/
Matt Black**
120.0621.313
£1164







MYTHOS

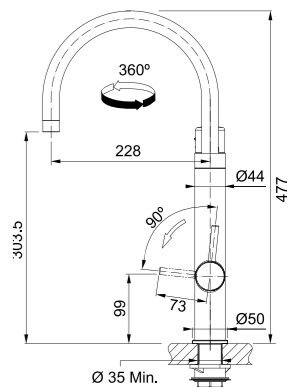


2 YEARS PARTS GUARANTEE



Vital 3-in-1 Filter Tap J-Spout Swivel
 Tap Height 477mm
 Spout Reach 228mm
 Base Diameter 50mm
 Tap cut-out Diameter 35mm
 Suitable for low pressure No
 Perlator Yes

-   **Chrome/Gunmetal**
120.0621.229
£685
-   **Decor Steel PVD/
Matt Black**
120.0621.312
£820







MYTHOS

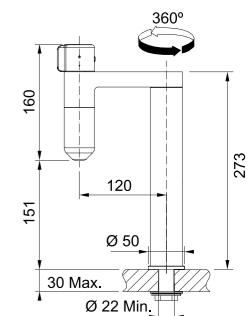


2 YEARS PARTS GUARANTEE



Vital Single Dispense
 Tap Height 311mm
 Spout Reach 120mm
 Base Diameter 50mm
 Tap cut-out Diameter 22 or 35mm
 Suitable for low pressure No
 Perlator Yes

-   **Chrome/Gunmetal**
120.0621.228
£479
-   **Decor Steel PVD/
Matt Black**
120.0621.311
£615



FilterFlow Taps



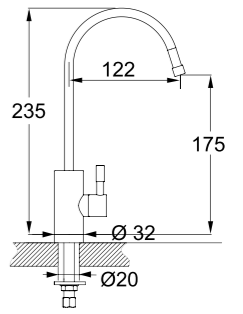
The stylish and superbly engineered FilterFlow range is the blueprint for multi-tasking kitchen taps. Having filtered water at your fingertips means no more cumbersome, expensive bottled water, and naturally, there is the peace of mind of knowing your family's drinking water is clean, refreshing and free of impurities. Franke FilterFlow taps remove a wide range of impurities, including chlorine, organic matter, chemical and pharmaceutical traces, metallics and sediment.

MARIS



Filter Mini
 Tap Height **235mm**
 Spout Reach **122mm**
 Base Diameter **32mm**
 Tap cut-out Diameter **20mm**
 Suitable for low pressure **No**
 Perlator **No**
 360° rotation **No**

Chrome
 120.0615.441
£349

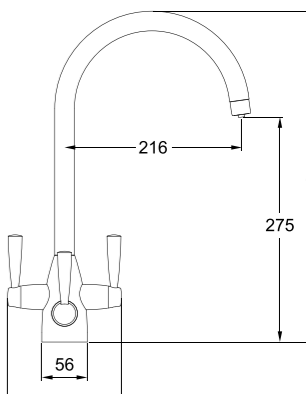


MARIS



Doric
 Tap Height **404mm**
 Spout Reach **216mm**
 Base Diameter **56mm**
 Tap cut-out Diameter **35mm**
 Suitable for low pressure **No**
 Perlator **No**

Chrome
 120.0615.357
£521

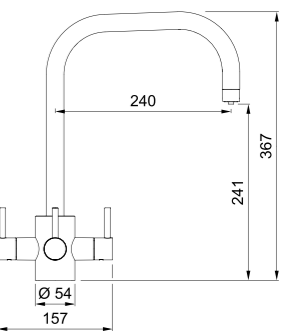


MARIS



Tasso
 Tap Height **367mm**
 Spout Reach **240mm**
 Base Diameter **54mm**
 Tap cut-out Diameter **35mm**
 Suitable for low pressure **No**
 Perlator **Yes**
 360° rotation **Yes**

Chrome
 120.0615.447
£521
Matt Black
 120.0615.451
£580



FilterFlow filter cartridges provide a unique and highly effective two-stage filtration process. The cartridges feature an outer ceramic shell and an inner carbon core. The fine ceramic has the ability to trap even the most microscopic of impurities, down to sub-micron level. The activated carbon core is manufactured from solid carbon rod, and eliminates contaminants such as chlorine and heavy metals, as well as unpleasant odours.



On average, a Franke FilterFlow tap will deliver around 2,500 litres of filtered water before its filter cartridge will need changing. And that couldn't be simpler. It's a 1-2-3 operation and as easy as changing a lightbulb.



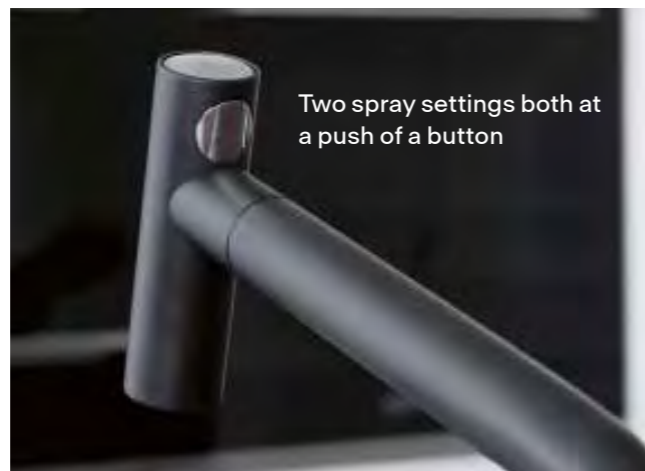
Designer Taps

139
141
145
147
149

Icon
Atlas Neo Sensor
Mythos
Pescara
Tessuto



Icon



Two spray settings both at a push of a button

MYTHOS




1 YEAR FINISH GUARANTEE

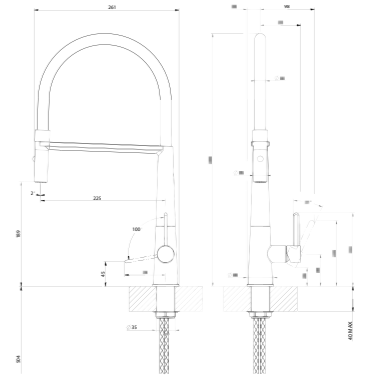
5 YEARS PARTS GUARANTEE

NEW



Icon Semi-Pro 
 Tap Height **456mm**
 Spout Reach **225mm**
 Base Diameter **48mm**
 Suitable for Low Pressure **Yes**
 Tap cut-out Diameter **35mm**
 Pull-Out Nozzle **No**
 Pull-Out Spray **Yes**
 Perlator **Yes**

 **Matt Black**
 115.0690.598
£958




MYTHOS




1 YEAR FINISH GUARANTEE

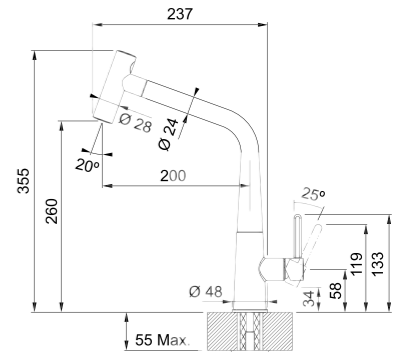
5 YEARS PARTS GUARANTEE



Icon Pull-Out Double Jet Shower 
 Tap Height **355mm**
 Spout Reach **237mm**
 Base Diameter **48mm**
 Suitable for Low Pressure **Yes**
 Tap cut-out Diameter **35mm**
 Pull-Out Nozzle **No**
 Pull-Out Spray **Yes**
 Perlator **Yes**

 **Chrome**
 115.0625.188
£604

 **Matt Black**
 115.0625.190
£627




MYTHOS




1 YEAR FINISH GUARANTEE

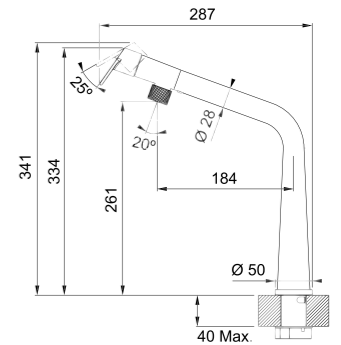
5 YEARS PARTS GUARANTEE



Icon Swivel Spout 
 Tap Height **341mm**
 Spout Reach **287mm**
 Base Diameter **50mm**
 Suitable for Low Pressure **Yes**
 Tap cut-out Diameter **35mm**
 Pull-Out Nozzle **No**
 Pull-Out Spray **Yes**
 Perlator **Yes**

 **Chrome**
 115.0625.185
£544

 **Matt Black**
 115.0625.187
£568



Atlas Neo Sensor

No hassle, no germs, no hands!



For more information
scan here.



It can be easy to get your hands dirty while preparing food, but thanks to our Atlas Neo Sensor you won't need to put them on your tap anymore, allowing for better hygiene for you and your family and fewer stains on your equipment. Furthermore, this contemporary and high-tech tap saves water and energy too, automatically stopping the water flow after 30 seconds. And if you're wondering if our incredible Atlas Neo Sensor matches your kitchen's style, rest assured knowing it's available in the most classic chrome and in the ultra-modern industrial black.

Nothing more than a gesture

Position your hand close to the tap sensor, without the need of pushing any button or pulling any lever and enjoy 30 seconds of a perfect water flow.



Preserve the environment and your wallet

Put a pan under the tap, activate it and forget about it, the water flow will stop in half a minute, saving water and energy.

Just as you like

Set the ideal temperature for when you activate the tap and if you want hotter or colder water just adjust it with the lever.

Safe and sound

The kitchen is one of the most used environments of the entire home and you can never be too cautious when it comes to hygiene: never put unwashed or dirty hands on your tap again.

Uncompromised style

Why settle on your style? Match your kitchen's mood with the ultra-modern industrial black or the classic chrome.

Notice the difference, not the volume

Quick and easy to install, our Atlas Neo Sensor's compact, battery-powered control box takes up very little space under the sink.



Atlas Neo Sensor



MYTHOS

5 YEARS
FINISH
GUARANTEE

5 YEARS
PARTS
GUARANTEE

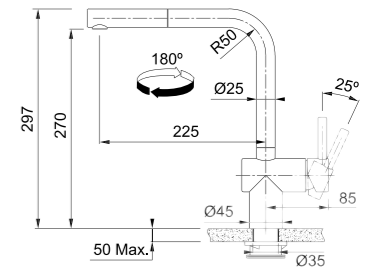


Atlas Neo Sensor Pull-Out Nozzle

Tap Height **297mm**
Spout Reach **225mm**
Base Diameter **45mm**
Suitable for Low Pressure **Yes**
Tap cut-out Diameter **35mm**
Pull-Out Nozzle **No**
Pull-Out Spray **Yes**
Perlator **Yes**

Stainless Steel
115.0638.827
£725

Industrial Black
115.0669.321
£790



MYTHOS

5 YEARS
FINISH
GUARANTEE

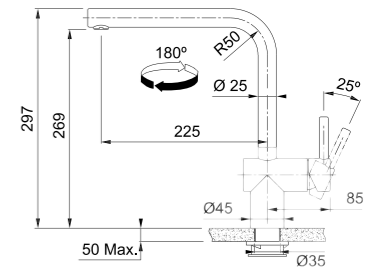
5 YEARS
PARTS
GUARANTEE



Atlas Neo Sensor
Tap Height **297mm**
Spout Reach **225mm**
Base Diameter **45mm**
Suitable for Low Pressure **Yes**
Tap cut-out Diameter **35mm**
Pull-Out Nozzle **No**
Pull-Out Spray **No**
Perlator **Yes**

Stainless Steel
115.0638.826
£653

Industrial Black
115.0669.210
£717



Easy to install, space-saving design

- Hybrid function enabling manual lever for everyday use and sensor activity for hand washing.
- The touchless and manual controls operate independently from each other.
- The sensor screen is easy to keep clean and easy to use.
- The sensor controls the touch free water temperature.
- If unintentionally started and once activated, the water flow stops in less than a second!
- The temperature on the sensor is set upon installation in the control box under the sink.
- Quick and easy plug-in installation: the tap, the control box, and the battery.



Mythos Pull Out Nozzle



Mythos



MYTHOS

5 YEARS FINISH GUARANTEE

5 YEARS PARTS GUARANTEE

NEW

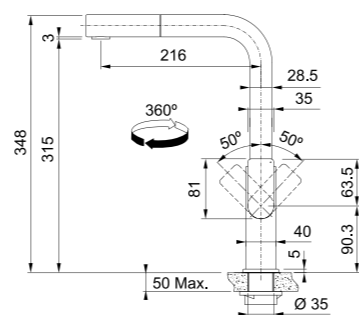


Mythos Pull Out Nozzle

Tap Height **348mm**
 Spout Reach **216mm**
 Base Diameter **40mm**
 Suitable for Low Pressure **Yes**
 Tap cut-out Diameter **35mm**
 Pull-Out Nozzle **No**
 Pull-Out Spray **Yes**
 Perlator **Yes**

 **Stainless Steel**
 115.0689.097
£694

 **Industrial Black**
 115.0689.098
£902



All prices are inclusive of VAT

MYTHOS

5 YEARS FINISH GUARANTEE

5 YEARS PARTS GUARANTEE

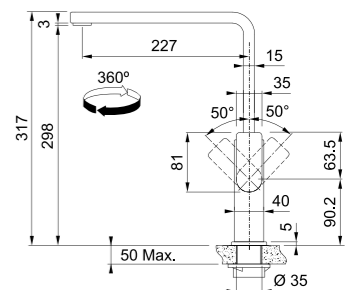
NEW



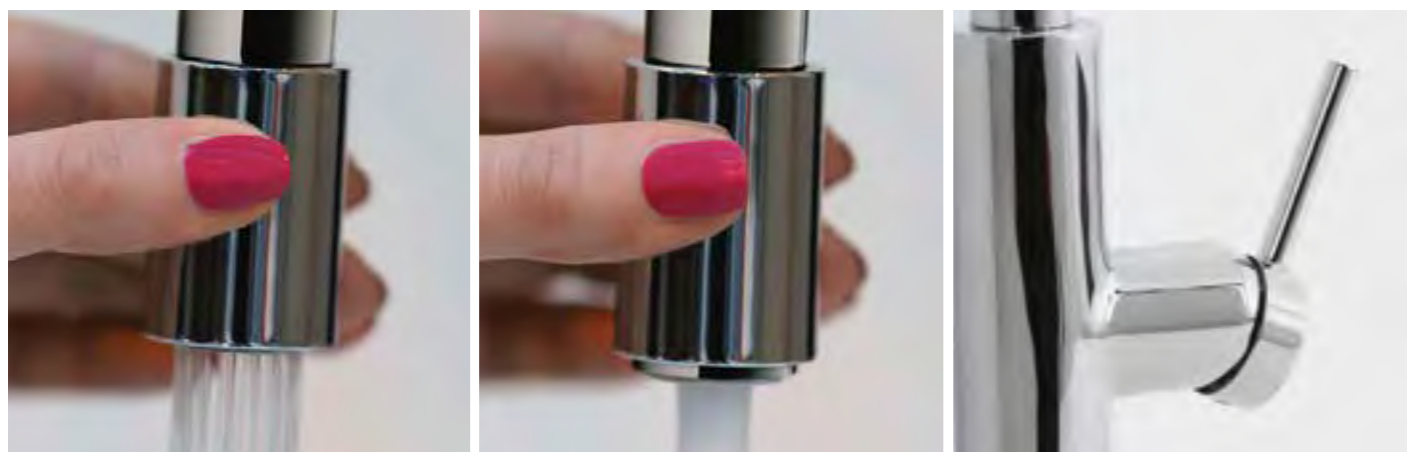
Mythos
 Tap Height **317mm**
 Spout Reach **227mm**
 Base Diameter **40mm**
 Suitable for Low Pressure **Yes**
 Tap cut-out Diameter **35mm**
 Pull-Out Nozzle **No**
 Pull-Out Spray **No**
 Perlator **Yes**

 **Stainless Steel**
 115.0689.095
£534

 **Industrial Black**
 115.0689.096
£694



Pescara



Pull down to activate spray
147

Push up for normal flow

All prices are inclusive of VAT

MYTHOS

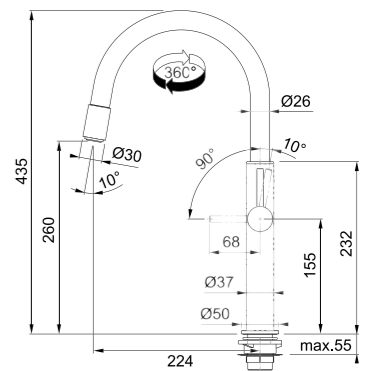
1 YEAR FINISH GUARANTEE

5 YEARS PARTS GUARANTEE



Pescara Swivel Up and Down
 Tap Height **435mm**
 Spout Reach **224mm**
 Base Diameter **50mm**
 Suitable for Low Pressure **No**
 Tap cut-out Diameter **35mm**
 Unique adjustable spray **Yes**
 Perlator **Yes**
 Eco cartridge **Yes**

Chrome
 115.0523.286
 £666



MYTHOS

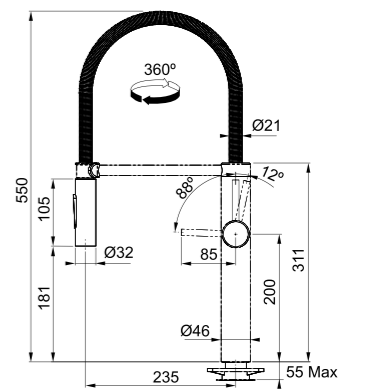
1 YEAR FINISH GUARANTEE

5 YEARS PARTS GUARANTEE



Pescara Semi-Pro XL
 Tap Height **550mm**
 Spout Reach **235mm**
 Base Diameter **35mm**
 Suitable for Low Pressure **No**
 Tap cut-out Diameter **35mm**
 Pull-Out Spray **Yes**
 Perlator **Yes**
 Eco cartridge **Yes**

Chrome
 115.0393.974
 £600



Pull-Out Spray

MYTHOS

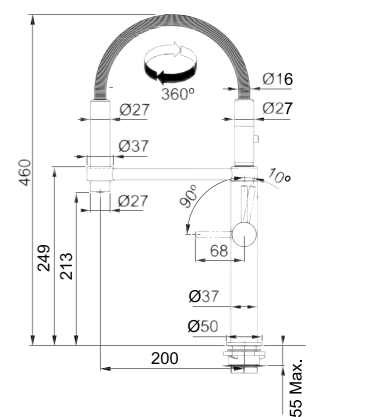
1 YEAR FINISH GUARANTEE

5 YEARS PARTS GUARANTEE

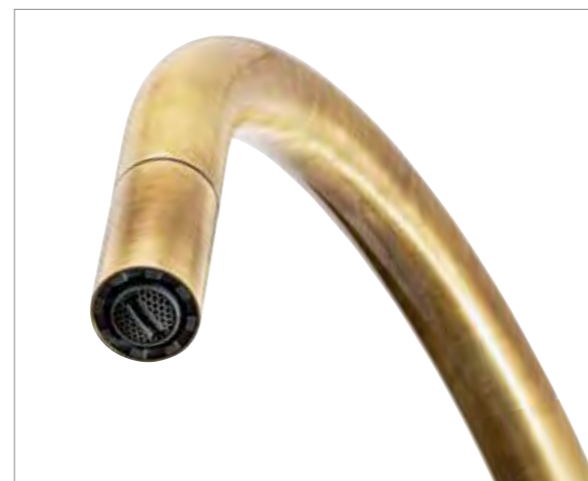


Pescara 360°
 Tap Height **460mm**
 Spout Reach **200mm**
 Base Diameter **37mm without plinth**
50mm with plinth
 Suitable for Low Pressure **Yes**
 Tap cut-out Diameter **35mm**
 Pull-Out Nozzle **Yes - quick release**
magnetic holder
 Perlator **Yes**
 Eco cartridge **Yes**

Chrome
 115.0393.976
 £667



Tessuto




MARIS

1
YEAR
FINISH
GUARANTEE

5
YEARS
PARTS
GUARANTEE

NEW

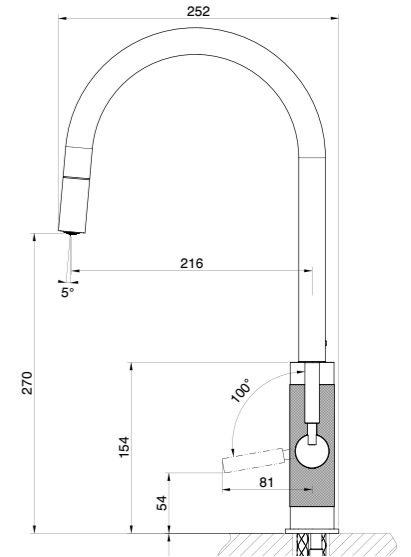


Tessuto Pull-Down Nozzle 
 Tap Height **455mm**
 Spout Reach **216mm**
 Base Diameter **48mm**
 Suitable for Low Pressure **No**
 Tap cut-out Diameter **35mm**
 Pull-Out Nozzle **Yes**
 Perlator **Yes**

 **Decor Steel**
 115.0691.517
£451

 **Matt Black**
 115.0691.518
£507

 **Brass**
 115.0692.199
£520



MARIS

1
YEAR
FINISH
GUARANTEE

5
YEARS
PARTS
GUARANTEE

NEW

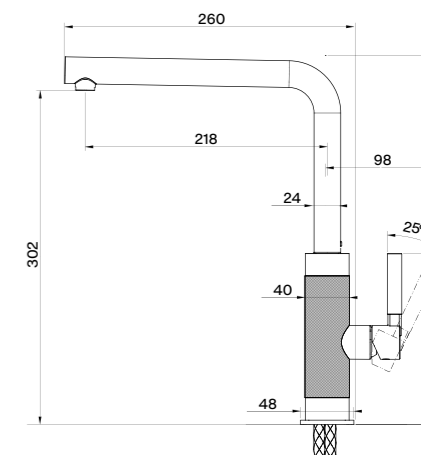


Tessuto L Spout
 Tap Height **332mm**
 Spout Reach **218mm**
 Base Diameter **48mm**
 Suitable for Low Pressure **No**
 Tap cut-out Diameter **35mm**
 Perlator **Yes**

 **Decor Steel**
 115.0691.515
£325

 **Matt Black**
 115.0691.516
£376

 **Brass**
 115.0692.198
£387





Coloured Taps

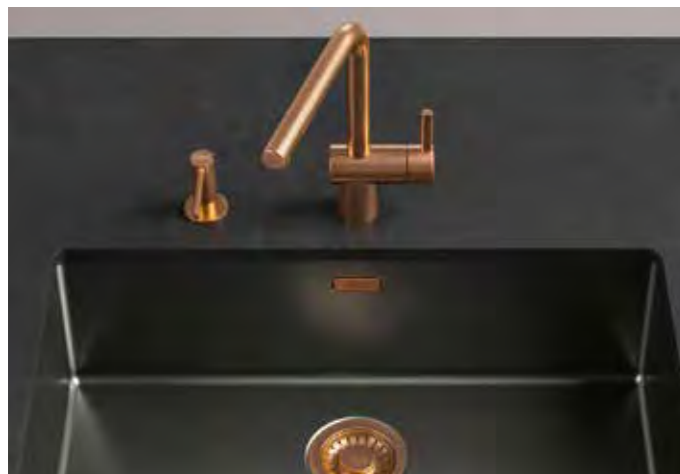
153
155
157
159
160
165

Atlas Neo
Eos Neo
Krios
Orlando
Active
Active Twist



A PVD finish takes on the texture of the base material so brushed metal will remain brushed, can be applied to brass or steel. A Galvanic finish is a type of electroplating, a coating of another metal is applied to the surface of the base metal to delay the corrosion process.

Atlas Neo

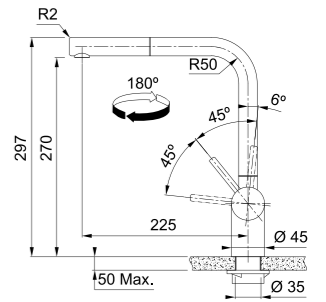







Show off your creative side with the Atlas Neo and Eos Neo taps plus the Atlas Neo soap dispenser as part of our Mythos Masterpiece range. Match your chosen tap with one of our popular BXM Bowls, all are manufactured from hardwearing, hygienic Stainless Steel. Our BXM Bowls reflect our reputation for exceptional quality and extraordinary expertise in pioneering and producing such products since 1911.

MARIS
5 YEARS FINISH GUARANTEE
5 YEARS PARTS GUARANTEE



Atlas Neo Pull-Out Nozzle
Tap Height 297mm
Spout Reach 225mm
Base Diameter 45mm
Tap cut-out Diameter 35mm
Pull-Out Nozzle Yes
Perlator Yes

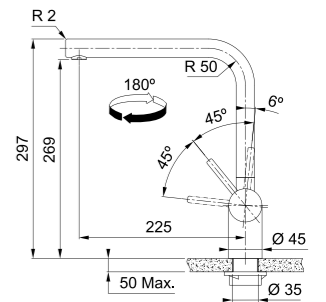







- | | |
|--|---|
|  Solid Stainless Steel
115.0638.841
£403 |  Anthracite
115.0638.845
£467 |
|  Gold
115.0689.090
£467 |  Industrial Black
115.0666.436
£467 |
|  Copper
115.0638.842
£467 | |

MARIS
5 YEARS FINISH GUARANTEE
5 YEARS PARTS GUARANTEE



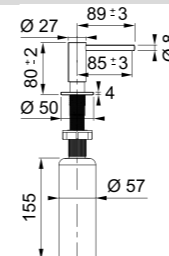
Atlas Neo Swivel
Tap Height 297mm
Spout Reach 225mm
Base Diameter 45mm
Tap cut-out Diameter 35mm
Suitable for Low Pressure No
Perlator Yes



- | | |
|---|---|
|  Solid Stainless Steel
115.0547.856
£376 |  Anthracite
115.0638.828
£440 |
|  Gold
115.0689.087
£440 |  Industrial Black
115.0666.435
£440 |
|  Copper
115.0638.830
£440 | |

Atlas Neo Soap Dispensers

Fits neatly alongside sinks in the worktop and is a fast and easy hand pump for all liquid soaps. Compatible with Atlas Neo, Eos Neo and Minerva 4-in-1 taps



Why not mix and match with our Mythos Masterpiece sinks? See page 39



Eos Neo









MARIS

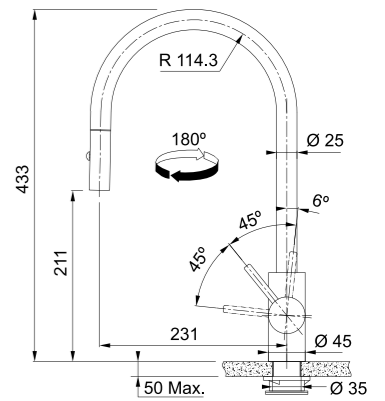
5 YEARS FINISH GUARANTEE

5 YEARS PARTS GUARANTEE



Eos Neo Pull-Down Spray 
 Tap Height **433mm**
 Spout Reach **231mm**
 Base Diameter **45mm**
 Tap cut-out Diameter **35mm**
 Suitable for Low Pressure **No**
 Pull-Down Spray **Yes**
 Perlator **Yes**

-  **Solid Stainless Steel**
115.0638.861
£403
-  **Gold**
115.0689.094
£467
-  **Copper**
115.0638.862
£467
-  **Anthracite**
115.0638.865
£467
-  **Industrial Black**
115.0666.438
£467

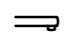


MARIS

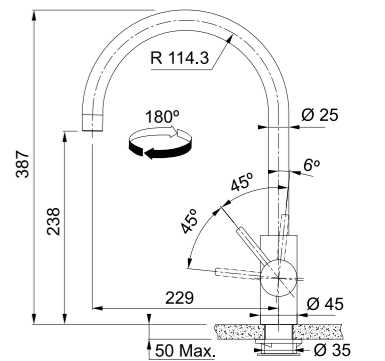
5 YEARS FINISH GUARANTEE

5 YEARS PARTS GUARANTEE



Eos Neo Swivel 
 Tap Height **387mm**
 Spout Reach **229mm**
 Base Diameter **45mm**
 Tap cut-out Diameter **35mm**
 Suitable for Low Pressure **No**
 Perlator **Yes**

-  **Solid Stainless Steel**
115.0638.846
£376
-  **Gold**
115.0689.092
£440
-  **Copper**
115.0638.849
£440
-  **Anthracite**
115.0638.847
£440
-  **Industrial Black**
115.0666.437
£440



Why not mix and match with our Mythos Masterpiece sinks? See page XX



Krios



MARIS

1 YEAR FINISH GUARANTEE

5 YEARS PARTS GUARANTEE



Krios L-Spout
 Tap Height **314mm**
 Spout Reach **212mm**
 Base Diameter **60mm**
 Tap cut-out Diameter **35mm**
 Suitable for Low Pressure **Yes**
 Perlator **Yes**

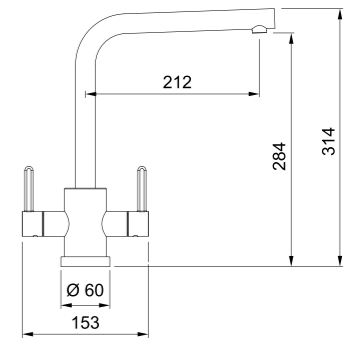
Chrome
 115.0567.615
£372

Gunmetal
 115.0567.621
£436

Smoked Chrome
 115.0567.620
£436

Brass
 115.0567.618
£436

Matt Black
 115.0659.342
£436



MARIS

1 YEAR FINISH GUARANTEE

5 YEARS PARTS GUARANTEE



Krios J-Spout
 Tap Height **391mm**
 Spout Reach **216mm**
 Base Diameter **60mm**
 Tap cut-out Diameter **35mm**
 Suitable for Low Pressure **Yes**
 Perlator **Yes**

Chrome
 115.0567.598
£346

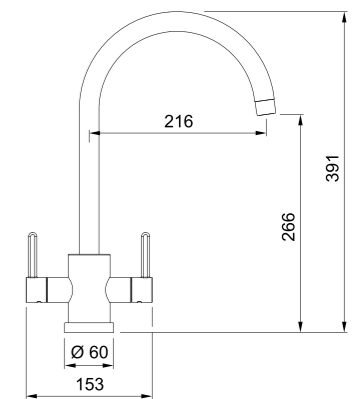
Decor Steel
 115.0567.599
£372

Gunmetal
 115.0567.612
£411

Smoked Chrome
 115.0567.611
£411

Brass
 115.0567.600
£411

Matt Black
 115.0659.347
£411



MARIS

1 YEAR FINISH GUARANTEE

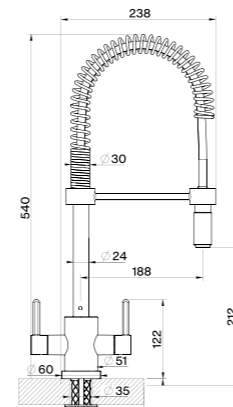
5 YEARS PARTS GUARANTEE

NEW



Krios Spring
 Tap Height **540mm**
 Spout Reach **188mm**
 Base Diameter **60mm**
 Tap cut-out Diameter **35mm**
 Suitable for Low Pressure **No**
 Pull-Out Nozzle **Yes**
 Perlator **Yes**

Chrome
 115.0689.616
£552



Orlando



MARIS

1 YEAR FINISH GUARANTEE

5 YEARS PARTS GUARANTEE



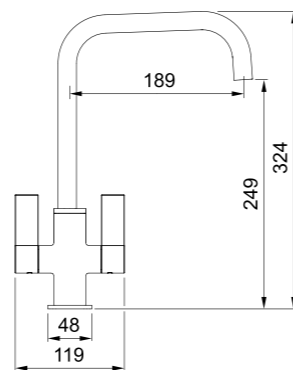
Orlando
 Tap Height **324mm**
 Spout Reach **189mm**
 Base Diameter **48mm**
 Tap cut-out Diameter **35mm**
 Suitable for Low Pressure **No**
 Perlator **Yes**

Chrome
 115.0605.458
£386

Gunmetal
 115.0605.460
£437

Smoked Chrome
 115.0605.461
£437

Brass
 115.0605.462
£437



All prices are inclusive of VAT

Active

More than just a tap, our stunning Active Tap models are the next phase in our sustainable home solutions. The innovative ECO-Cartridge, the Active Tap gives you control over water flow and temperature, so you only use what you need.



Water saving ECO Cartridge

Designed to limit both the flow and temperature, the ECO Cartridge helps to actively save both water and energy. Thanks to the stepped lever, it is possible to reduce water usage by as much as 50%.

MARIS

Active Soap Dispensers



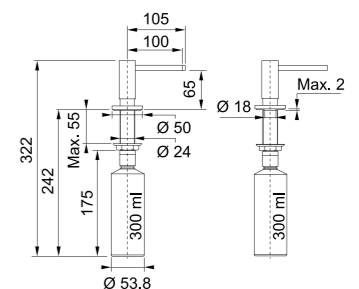
Stainless Steel
 119.0547.902
£136



Decor Steel
 119.0547.904
£148



Matt Black
 119.0547.906
£148



Active Tap

Exceptional design, inside and out.
The tap range with a sustainable soul.



Stylishly sustainable

ECO Cartridge A uses up to 50% less water

The ultimate goal of our taps is to offer the best of both worlds: design and sustainability. Beautiful design options available in a range of contemporary finishes; crystal clear, anti-splash water stream thanks to a Laminar Aerator; spray jet function for precise cleaning and an Eco cartridge A able to limit the flow and temperature of the water for preserving the environment.



The efficiency of sustainability, made beautiful.

Active Semi-Pro **NEW**



Active L Pull-Out Spray



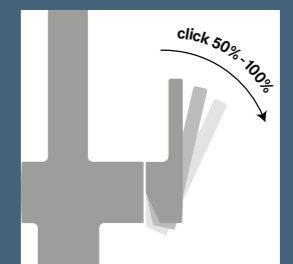
Active L Swivel Spout



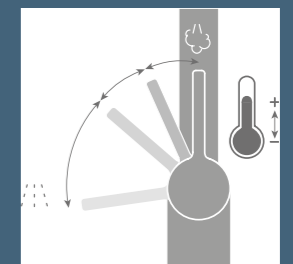
Active J Pull-Down Spray



Active J Swivel Spout



Sufficient water pressure at just 50% open.



Remove the lever and turn the ring nut inside to limit the temperature flow.*

*Always refer to the installation manual

All prices are inclusive of VAT

Active Tap



MYTHOS

1 YEAR FINISH GUARANTEE

5 YEARS PARTS GUARANTEE

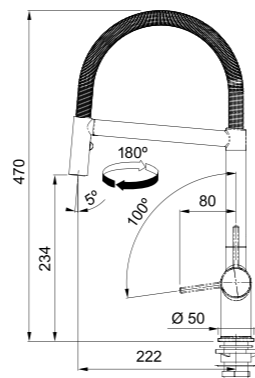
NEW



Active Semi-Pro
 Tap Height 470mm
 Spout Reach 222mm
 Base Diameter 50mm
 Tap cut-out Diameter 35mm
 Suitable for Low Pressure Yes
 Pull-Out Spray Yes
 Perlator Yes

Chrome
 115.0653.407
 £526

Matt Black
 115.0653.409
 £683



MARIS

1 YEAR FINISH GUARANTEE

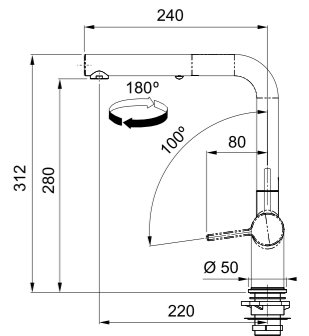
5 YEARS PARTS GUARANTEE



Active L Pull-Out Spray
 Tap Height 312mm
 Spout Reach 220mm
 Base Diameter 50mm
 Tap cut-out Diameter 35mm
 Suitable for Low Pressure No
 Pull-Out Spray Yes
 Perlator Yes

Chrome
 115.0653.379
 £368

Matt Black
 115.0653.382
 £471



MARIS

1 YEAR FINISH GUARANTEE

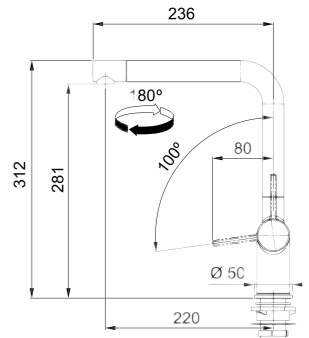
5 YEARS PARTS GUARANTEE



Active L Spout Swivel
 Tap Height 312mm
 Spout Reach 220mm
 Base Diameter 50mm
 Tap cut-out Diameter 35mm
 Suitable for Low Pressure No
 Perlator Yes

Chrome
 115.0653.298
 £264

Matt Black
 115.0653.371
 £368



MARIS

1 YEAR FINISH GUARANTEE

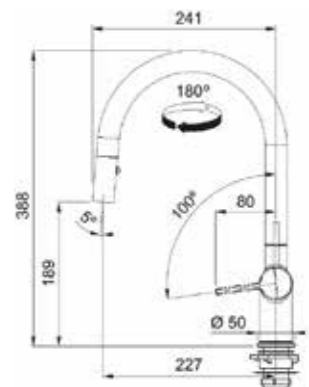
5 YEARS PARTS GUARANTEE



Active J Pull-Down Spray
 Tap Height 388mm
 Spout Reach 227mm
 Base Diameter 50mm
 Tap cut-out Diameter 35mm
 Suitable for Low Pressure No
 Pull-Down Spray Yes
 Perlator Yes

Chrome
 115.0653.401
 £368

Matt Black
 115.0653.404
 £471



MARIS

1 YEAR FINISH GUARANTEE

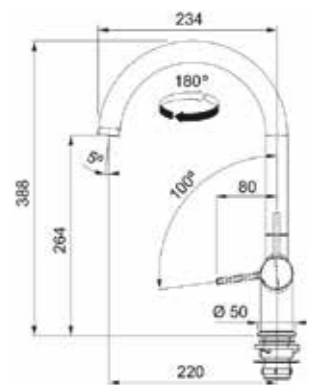
5 YEARS PARTS GUARANTEE



Active J Spout Swivel
 Tap Height 388mm
 Spout Reach 220mm
 Base Diameter 50mm
 Tap cut-out Diameter 35mm
 Suitable for Low Pressure No
 Perlator Yes

Chrome
 115.0653.395
 £264

Matt Black
 115.0653.398
 £368



Active Twist

Think you know taps? Think again.

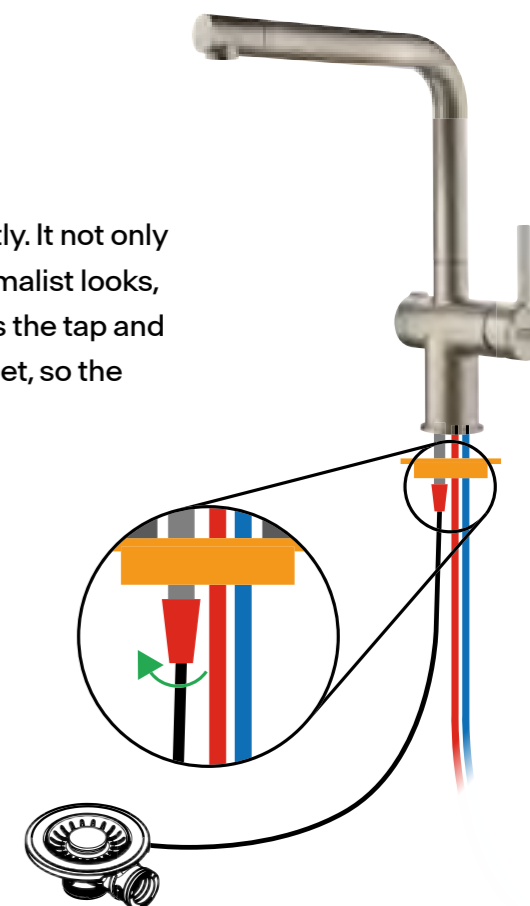


With Active Twist, we have created a tap that works differently. It not only fills the sink but empties it as well. Alongside its stylish, minimalist looks, we have incorporated an innovative special feature that links the tap and sink with a twist dial. When turned, it operates the waste outlet, so the water drains away, easily, safely and hygienically.

Features and benefits

Innovative Integrated Twist Waste Control

The all-in-one design includes a special dial that when turned, operates the waste outlet, so the water drains away easily, safely and hygienically.



Eco Cartridge

Designed to limit both the flow and temperature, the ECO Cartridge helps to actively save both water and energy. Thanks to the stepped lever, it is possible to reduce water usage by as much as 50%.



Spray Jet Function

Delivering a more powerful stream, the spray jet function makes it easier to rinse fruit and vegetables and reach every part of the sink, making it easier to clean.



Laminar Aerator

The laminar aerator fitted in the spout ensures the Active Twist delivers a crystal clear, non splashing water stream, with very little noise.

Easy Clean Design

The Active Twist's fluid, curved design and rounded edges make it easier to clean.

Active Twist




MYTHOS

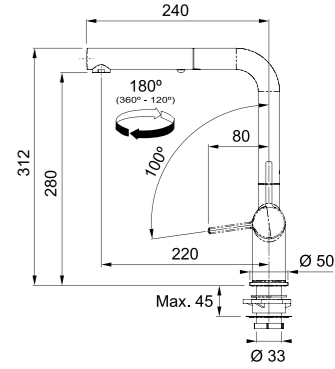
1 YEAR FINISH GUARANTEE

5 YEARS PARTS GUARANTEE



Active Twist Dual Spray Pull-Out 
 Tap Height **312mm**
 Spout Reach **220mm**
 Base Diameter **50mm**
 Tap cut-out Diameter **35mm**
 Pull-Out Spray **Yes**
 Suitable for Low Pressure **No**
 Perlator **Yes**

 **Decor Steel**




MYTHOS

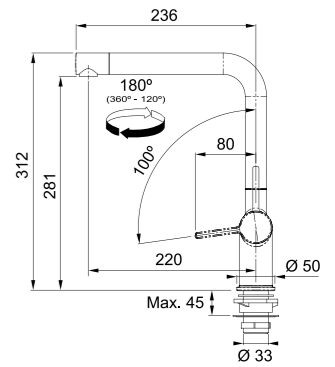
1 YEAR FINISH GUARANTEE

5 YEARS PARTS GUARANTEE



Active Twist L Spout 
 Tap Height **312mm**
 Spout Reach **220mm**
 Base Diameter **50mm**
 Tap cut-out Diameter **35mm**
 Suitable for Low Pressure **No**
 Pull-Out Spray **No**
 Perlator **Yes**

 **Decor Steel**



Pack	Description	Compatible Models	Price
115.0674.146	Active Twist L Spout Tap and Stainless Steel Sink Waste Kit	Stainless Steel Except Spark SKX/ Antea AZN	£626
115.0674.151	Active Twist L Dual Spray Pull Out Tap and Stainless Steel Sink Waste Kit	Stainless Steel Except Spark SKX/ Antea AZN	£729
115.0674.153	Active Twist L Spout Tap and Granite Sink Waste Kit	Maris MRG / Urban UBG	£626
115.0674.154	Active Twist L Dual Spray Pull Out Tap and Granite Sink Waste Kit	Maris MRG / Urban UBG	£729
115.0674.155	Active Twist L Spout and KNG Granite Sink Waste Kit	Kubus KNG Except 62 (pop up hole in sink)	£626
115.0674.156	Active Twist L Dual Spray Pull Out Tap and KNG Granite Sink Waste Kit	Kubus KNG Except 62 (pop up hole in sink)	£729



Standard Taps

171	Tango
172	Bridge Lever
172	Eiger
172	Gloriana
173	Zelus
173	Cotswold
173	Fuji
174	Valais
174	Davos
175	Smart
175	Hestia
177	Rotaflow
177	Athena
177	Zurich



Tango Neo



MYTHOS

5 YEARS FINISH GUARANTEE

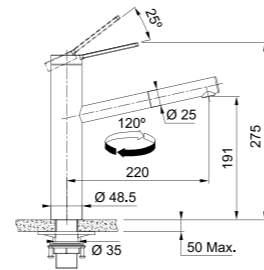
5 YEARS PARTS GUARANTEE

NEW



Tango Neo Pull Out Nozzle
 Tap Height 275
 Spout Reach 220
 Base Diameter 48.5
 Tap cut-out Diameter 35
 Suitable for Low Pressure No
 Pull-Out Spray No
 Aerator Yes

Solid Stainless Steel
 115.0596.388
 £568



MYTHOS

5 YEARS FINISH GUARANTEE

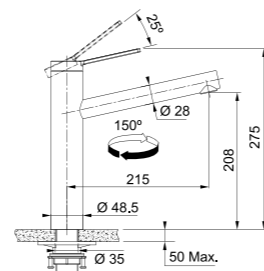
5 YEARS PARTS GUARANTEE

NEW



Tango Neo
 Tap Height 275
 Spout Reach 220
 Base Diameter 48.5
 Tap cut-out Diameter 35
 Pull-Out Spray No
 Suitable for Low Pressure No
 Aerator Yes

Solid Stainless Steel
 115.0596.387
 £437



Tap Collection

MARIS

1 YEAR FINISH GUARANTEE

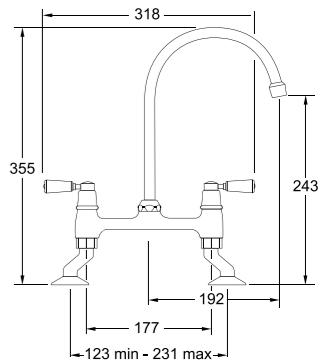
5 YEARS PARTS GUARANTEE



Bridge Lever
 Tap Height 355mm
 Spout Reach 192mm
 Base Diameter 50x2mm
 Tap cut-out Diameter 25x2mm
 Suitable for Low Pressure Yes
 Pull-Out Spray No
 Aerator Yes

Chrome
 115.0049.962
 £330

Brass
 115.0659.349
 £375



MARIS

1 YEAR FINISH GUARANTEE

5 YEARS PARTS GUARANTEE



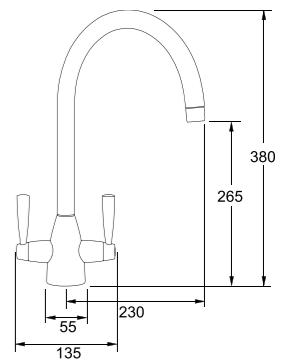
Eiger
 Tap Height 395mm
 Spout Reach 230mm
 Base Diameter 48mm
 Tap cut-out Diameter 35mm
 Suitable for Low Pressure No
 Pull-Out Spray No
 Perlator Yes

Chrome
 115.0049.989
 £296

Decor Steel
 115.0049.990
 £323

NEW **Brass**
 115.0689.693
 £385

Matt Black
 115.0659.348
 £380



MARIS

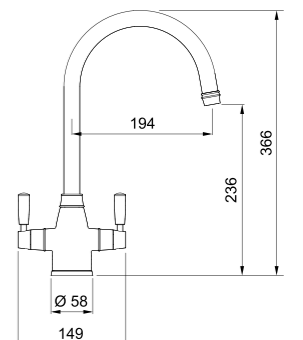
1 YEAR FINISH GUARANTEE

5 YEARS PARTS GUARANTEE



Gloriana
 Tap Height 366mm
 Spout Reach 194mm
 Base Diameter 58mm
 Tap cut-out Diameter 35mm
 Suitable for Low Pressure Yes
 Pull-Out Spray No
 Perlator Yes

Chrome
 115.0637.111
 £397



Tap Collection

MARIS

1 YEAR FINISH GUARANTEE

5 YEARS PARTS GUARANTEE



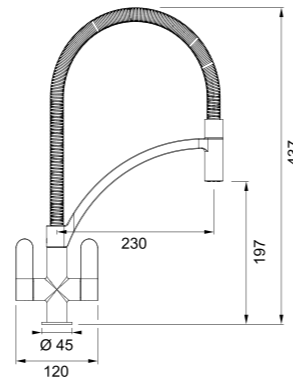
Zelus

Tap Height **Spring: 437** Hose: 439
 Spout Reach **230mm**
 Base Diameter **45mm**
 Tap cut-out Diameter **35mm**
 Suitable for Low Pressure **No**
 Pull-Out Spray **No**
 Perlator **No**

Chrome/Spring
 115.0567.593
£385

Chrome/Black Hose
 115.0567.596
£423

Decor Steel/Spring
 115.0567.594
£423



MARIS

1 YEAR FINISH GUARANTEE

5 YEARS PARTS GUARANTEE

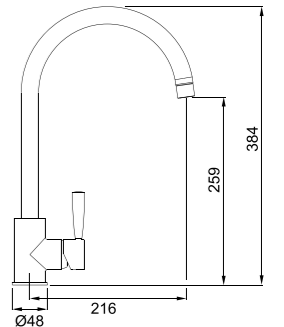


Fuji

Tap Height **387mm**
 Spout Reach **216mm**
 Base Diameter **48mm**
 Tap cut-out Diameter **35mm**
 Suitable for Low Pressure **No**
 Pull-Out Spray **No**
 Perlator **Yes**

Chrome
 115.0250.326
£364

Decor Steel
 115.0250.327
£388



MARIS

1 YEAR FINISH GUARANTEE

5 YEARS PARTS GUARANTEE

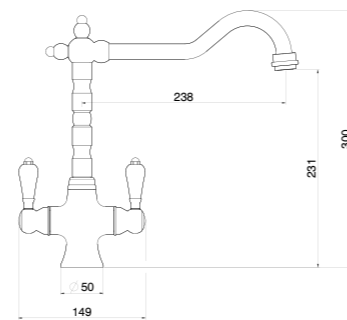


Cotswold

Tap Height **300mm**
 Spout Reach **238mm**
 Base Diameter **50mm**
 Tap cut-out Diameter **35mm**
 Suitable for Low Pressure **Yes**
 Pull-Out Spray **No**
 Perlator **No**

Chrome
 115.0690.448
£418

Brass
 115.0689.617
£543



MARIS

5 YEARS FINISH GUARANTEE

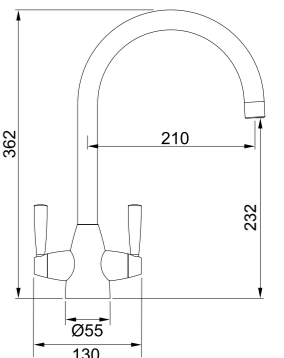
5 YEARS PARTS GUARANTEE



Valais

Tap Height **362mm**
 Spout Reach **210mm**
 Base Diameter **55mm**
 Tap cut-out Diameter **35mm**
 Suitable for Low Pressure **No**
 Pull-Out Spray **No**
 Perlator **Yes**

Stainless Steel
 115.0364.026
£340



MARIS

1 YEAR FINISH GUARANTEE

5 YEARS PARTS GUARANTEE



Fuji Pull-Out Nozzle

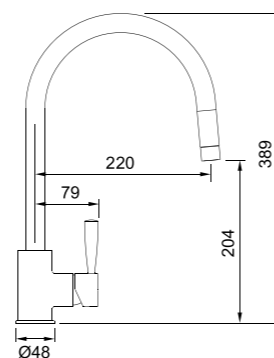
Tap Height **390mm**
 Spout Reach **220mm**
 Base Diameter **48mm**
 Tap cut-out Diameter **35mm**
 Suitable for Low Pressure **No**
 Pull-Out Spray **No**
 Perlator **No**

Chrome
 115.0280.225
£388

Decor Steel
 115.0280.227
£415



Pull-Out Nozzle



SMART

1 YEAR FINISH GUARANTEE

5 YEARS PARTS GUARANTEE

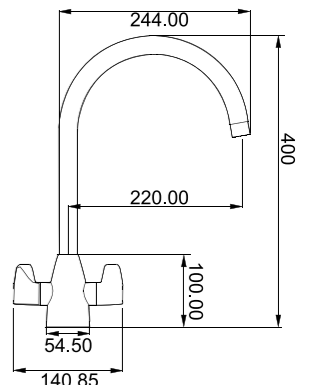


Davos J

Tap Height **398mm**
 Spout Reach **216mm**
 Base Diameter **55mm**
 Tap cut-out Diameter **35mm**
 Suitable for Low Pressure **Yes**
 Pull-Out Spray **No**
 Perlator **Yes**

Chrome
 115.0050.044
£225

Decor Steel
 115.0049.940
£271



Tap Collection

SMART



1 YEAR FINISH GUARANTEE

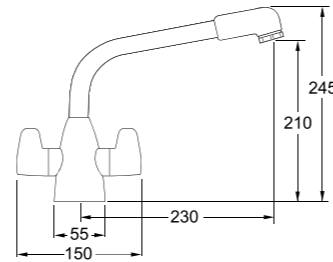
5 YEARS PARTS GUARANTEE



Davos
 Tap Height **257mm**
 Spout Reach **224mm**
 Base Diameter **55mm**
 Tap cut-out Diameter **35mm**
 Suitable for Low Pressure **Yes**
 Pull-Out Spray **No**
 Perlator **Yes**

Chrome
 115.0046.694
£225

Decor Steel
 115.0046.695
£271



SMART



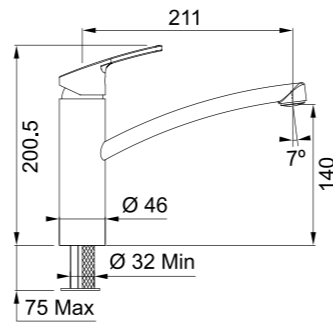
1 YEAR FINISH GUARANTEE

5 YEARS PARTS GUARANTEE



Smart
 Tap Height **257mm**
 Spout Reach **224mm**
 Base Diameter **46mm**
 Tap cut-out Diameter **35mm**
 Suitable for Low Pressure **No**
 Pull-Out Spray **No**
 Perlator **Yes**

Chrome
 115.0391.460
£257



SMART



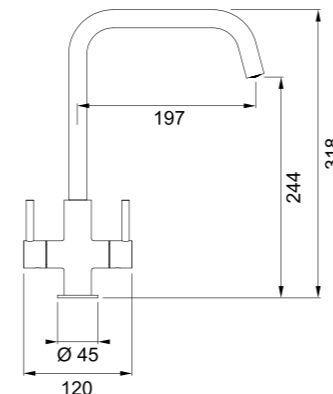
1 YEAR FINISH GUARANTEE

5 YEARS PARTS GUARANTEE



Hestia U-Spout
 Tap Height **318mm**
 Spout Reach **197mm**
 Base Diameter **45mm**
 Tap cut-out Diameter **35mm**
 Suitable for Low Pressure **No**
 Pull-Out Spray **No**
 Perlator **Yes**

Chrome
 115.0567.655
£199



Tap Collection

SMART



1 YEAR FINISH GUARANTEE

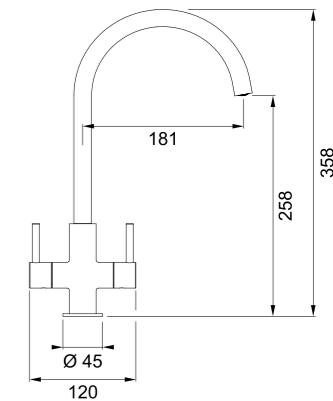
5 YEARS PARTS GUARANTEE



Hestia J-Spout
 Tap Height **358mm**
 Spout Reach **181mm**
 Base Diameter **45mm**
 Tap cut-out Diameter **35mm**
 Suitable for Low Pressure **No**
 Pull-Out Spray **No**
 Perlator **Yes**

Chrome
 115.0567.654
£192

Decor Steel
 115.0635.794
£216



Tap Collection


SMART

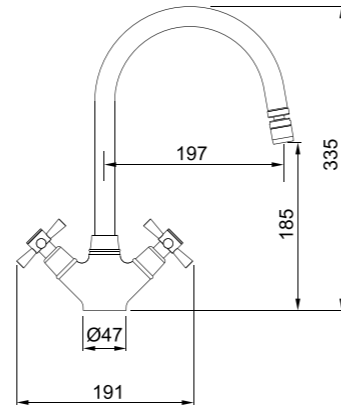
1 YEAR FINISH GUARANTEE

5 YEARS PARTS GUARANTEE



Rotaflow
 Tap Height **335mm**
 Spout Reach **197mm**
 Base Diameter **47mm**
 Tap cut-out Diameter **35mm**
 Suitable for Low Pressure **Yes**
 Pull-Out Spray **No**
 Perlator **Yes**

 **Chrome**
 115.0251.257
£180



SMART

1 YEAR FINISH GUARANTEE

5 YEARS PARTS GUARANTEE

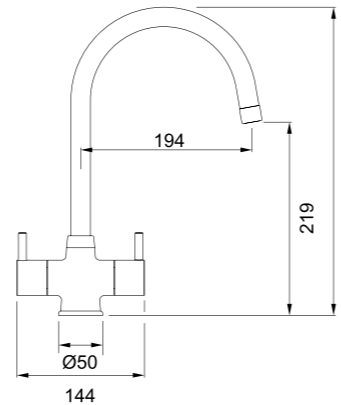


Athena
 Tap Height **349mm**
 Spout Reach **194mm**
 Base Diameter **45mm**
 Tap cut-out Diameter **35mm**
 Suitable for Low Pressure **Yes**
 Pull-Out Spray **No**
 Perlator **Yes**

 **Chrome**
 115.0311.211
£161

 **Matt Black**
 115.0659.322
£245

 **Decor Steel**
 115.0311.215
£184




SMART

1 YEAR FINISH GUARANTEE

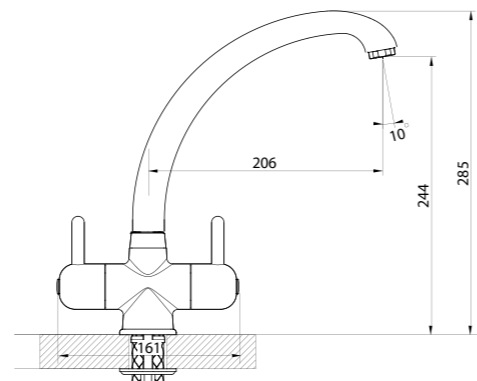
5 YEARS PARTS GUARANTEE



Zurich
 Tap Height **285mm**
 Spout Reach **206mm**
 Base Diameter **50mm**
 Tap cut-out Diameter **35mm**
 Suitable for Low Pressure **Yes**
 Pull-Out Spray **No**
 Perlator **Yes**

 **Chrome**
 115.0051.172
£161

 **Decor Steel**
 115.0061.579
£184




































Zelus

Hoods Overview

MYTHOS

MARIS

SMART

Hoods Hob Extractor	Hoods Downdraft	Hoods Wall Mounted	Hoods Island	Hoods Under Cabinet	Hoods Ceiling
 Mythos 2gether p.186  NEW Mythos Hob Extractor Glass p.188	 Downdraft p.200	 AQ Sense Monitor p.204  NEW Mythos Per Pro p.212  NEW Mythos Pro p.214  NEW Mythos Vertical Air Hub p.216  NEW Mythos T Shape Air Hub p.224  AQ Sense Vertical p.206  Maris Drip Free p.208  NEW Maris Pro p.218  NEW Maris Matt Pro p.220  Avant Silence Wall p.226	 NEW Mythos T-Shelf p.238  Avant Silence Island p.240  T-Glass Linear Island p.262  Smart Suspended p.234	 Atmos Steam Off p.254  Box Premium p.256  Box EVO p.258  Integrata p.260	 NEW Mythos 2 Bars p.242  AQ Sense Ceiling p.244  NEW Mythos Ceiling Air Hub p.246  NEW Mythos Full Light p.250  NEW Maris Ceiling p.252
 NEW Smart 2gether p.192		 Evo Plus p.222  Format 45 p.228  Joy p.230  NEW Smart p.232  T-Glass Nice p.264  T-Glass Ray p.266			



Hob Extractors

185
187
189
191

Mythos 2gether
Mythos Hob Extractor Glass
Maris 2gether
Smart 2gether



Hob Extractor

Twice the advantage.



The best of both worlds with a range of powerful extractors beautifully merged into advanced induction hobs. This clever 2-in-1 solution guarantees maximum functionality and total design freedom.

Plus, it's best-in-class for cleaning: the surface is easy to wipe and the grease filter can be cleaned in the dishwasher. The integral water collector catches up to 200cc of spilled liquid,, while the iron grid of the hood is heat- and scratch-resistant. Also, the flush-mounted cover grid makes it easy to move pots from one cooking zone to another without the need of lifting heavy, hot pots and pan.



NEW

Mythos 2gether Glass and Mythos 2gether

Absolute elegance and top-notch functionality.

The black glass surface, united with the design of the grid makes the Mythos 2gether the perfect solution for beautiful, minimalist and high-end kitchens. But this Hob Extractor is far from being solely beautiful: it's A+++ energy classified, yet the suction power is astounding, with a speed of 680 m3/h and a booster function. It features 4 induction zones of which 2 flexible zones for large pans, 9 levels of heat plus the booster function and timers for all zones. But all this efficiency comes at a mere 72dB at its most intensive setting. Easy to use, to clean and to love. This is our Mythos 2gether.



Maris 2gether

Capable, durable and beautiful.

The Maris 2gether can extract up to 700 m3/hr of air from around your pots and pans located in the hob's four cooking zones. It simply turns the steam upside down and makes it disappear underneath the hob. Its 4 induction zones, 2 of which are flexible for large pans, direct touch control with one slider, 9 levels of heat, booster function and timers for all zones, make cooking extremely easy and satisfying. And the environment will be happy too, as our Maris 2gether is A++ energy rated.



NEW

Smart 2gether

Smaller, functional and smart.

The modern and pleasant design, at only 70cm, makes the Smart 2gether able to fit into a standard 60cm cabinet cut-out and leaves more space in the work area for your recipes. But its smaller size doesn't make it any less functional: it features 4 induction zones and 1 flexible zone for large pans, it's easy to control thanks to the direct touch control with one slider and great for any preparation thanks to its 9 heat levels and booster function. The Smart 2gether smartness also shows in its energy efficiency, as it is A++ energy rated and it's quietness, thanks to a reduced noise level.



Mythos 2gether



Note: For the installation of the Mythos 2gether, it is necessary to purchase one of the following kits (see details pg 304)



Recirculating Kit
6 cm
112.0539.568
£ 363
185



Recirculating Kit
10 cm
112.0539.570
£ 375



Aspiration Kit
112.0539.569
£ 266

All prices are inclusive of VAT

MYTHOS



Black
FMY 839 HI 2.0
340.0597.249
£2719

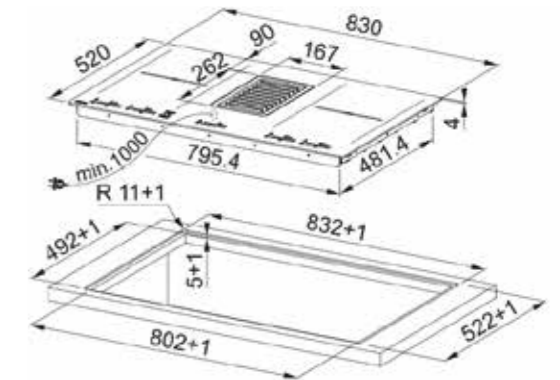


Features: Extraction

Installation type	Hob Extractor
Recirculating extraction	Yes
Ducted extraction	Yes
Rear venting	N/A
Energy class	A+++
Extraction speeds	8 + 2 intensive levels
Controls	Capacitive Touch
Remote control	No
Motor type	Multifan A++
Easy-fit	N/A
Charcoal Filter (pg 304)	Not Included

Lighting

Speed	Min	Max	Intensive 1	Intensive 2
Air capacity (m³/h)	245	505	700	550
Input	35	125	220	140
Noise level (dB)	51	65	72	66



Features: Induction Hob

Dimensions: **830x520mm**
 Cut out: **832x522mm**
 Number of zones: **4**
 Control: **4 Sliding Touch Controls dedicated to each cooking zone**
 Special Functions: **Thawing, Keeping Warm, Melting, Stop & Go, Power Management, Flexi Zone**
 Progressive adjustment from 1 to 9 + Booster
 Power: **for each cooking zone 4x 220x180 2100W, Booster : 3700W**
 Timer: **End of cooking timer for each zone**
 Total power: **consumption 7.4 kW**
 Child safety
 Note: **Installation slim-top/flush-mount**

Mythos 2gether Glass



Note: For the installation of the Maris 2gether Glass, it is necessary to purchase one of the following kits (see details pg 304)



Recirculating Kit
6 cm
112.0539.568
£ 363
187



Back Recirculating
Kit
112.0679.887
£ 236



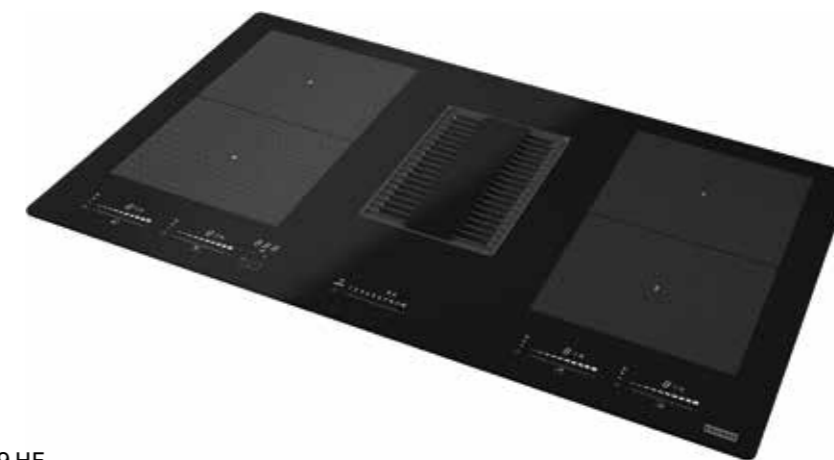
Aspiration Kit H60
112.0632.523
£ 213

MYTHOS



NEW

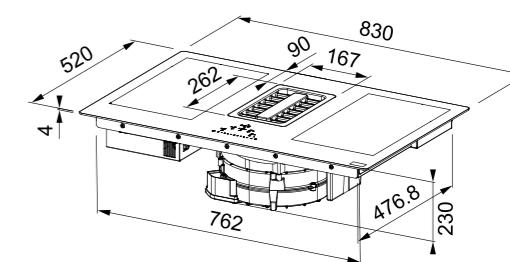
Black
FMY 839 HE
340.0679.889
£2950



Features

Installation type	Hob Extractor
Recirculating extraction	Yes
Ducted extraction	Yes
Rear venting	N/A
Energy class	A+
Extraction speeds	8 + 2 intensive levels
Controls	Capacitive Touch
Remote control	N/A
Motor type	Multifan A++
Easy-fit	N/A
Charcoal Filter (pg 304)	Not Included 112.0548.447 ,112.0548.448 or 112.0684.123
Lighting	N/A

Speed	Min	Max	Intensive 1	Intensive 2
Air capacity (m³/h)	230	470	620	510
Input	30	130	220	170
Noise level (dB)	51	67	73	69



Features: Induction Hob

Dimensions: **830x520mm**
 Cut out: **832x522mm**
 Number of zones: **4**
 Control: **4 Sliding Touch Controls dedicated to each cooking zone**
 Special Functions: **Thawing, Keeping Warm, Melting, Stop & Go, Power Management, Flexi Zone**
 Progressive adjustment from 1 to 9 + **Booster**
 Power: **for each cooking zone**
4x 220x180 2100W, Booster : 3700W
 Timer: **End of cooking timer for each zone**
 Total power: **consumption 7.4 kW**
Child safety
 Note: **Installation slim-top/flush-mount**

Maris 2gether



Note: For the installation of the Maris 2gether, it is necessary to purchase one of the following kits (see details pg 304)



Recirculating Kit
6 cm
112.0539.568
£ 363
189



Recirculating Kit
10 cm
112.0539.570
£ 375



Aspiration Kit
112.0539.569
£ 266

Refill Filter
112.0684.123
£41

All prices are inclusive of VAT

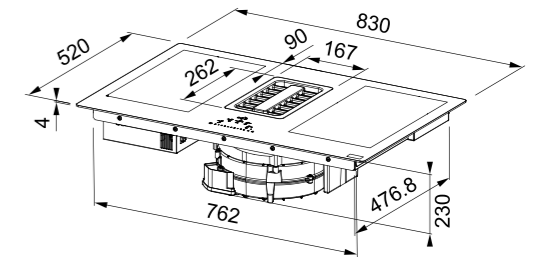
MARIS



Black
FMA 839 HI
340.0595.364
£2258

Features

Installation type	Hob Extractor
Recirculating extraction	Yes
Ducted extraction	Yes
Rear venting	N/A
Energy class	A++
Extraction speeds	8 + 2 intensive levels
Controls	Capacitive Touch
Remote control	N/A
Motor type	Multifan A++
Easy-fit	N/A
Charcoal Filter (pg 304)	Not Included
Lighting	N/A



Speed	Min	Max	Intensive 1	Intensive 2
Air capacity (m³/h)	245	505	700	550
Input	35	125	220	140
Noise level (dB)	51	65	72	66

Features Cooktop:

Dimensions: **830x520mm**
 Cut out: **see template**
 Number of zones: **4**
 Control: **4 Sliding Touch Controls dedicated to each cooking zone**
 Special Functions: **Keeping Warm, Stop & Go, Power Management, Bridge**
 Progressive adjustment from 1 to 9 + **Booster**
 Power: **for each cooking zone**
4x 220x180 2100W, Booster : 3700W
 Timer: **End of cooking timer for each zone**
 Total power: **consumption 7.4 kW**
Child safety
 Note: **Installation slim-top/flush-mount**

Smart 2gether

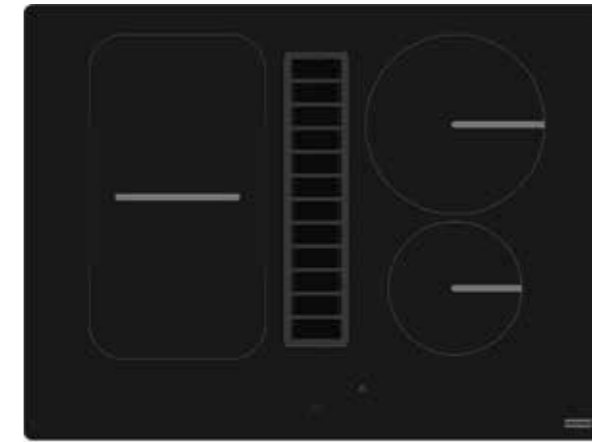


SMART



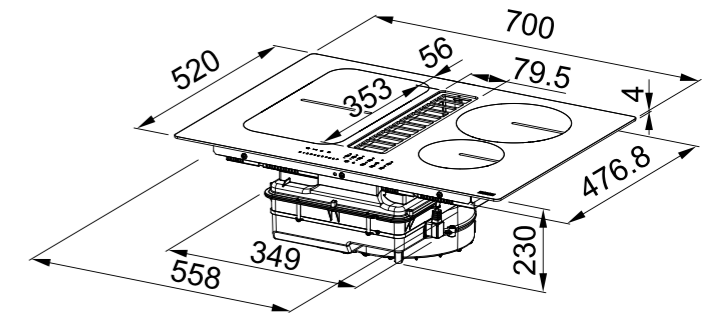
NEW

Black
FSM 709 HI
340.0678.203
£1650



Features

Installation type	Hob Extractor
Recirculating extraction	Yes
Ducted extraction	Yes
Rear venting	N/A
Energy class	A++
Extraction speeds	8 + 2 intensive levels
Controls	Capacitive Touch
Remote control	N/A
Motor type	Multifan A++
Easy-fit	N/A
Charcoal Filter (pg 304)	Not Included
Lighting	N/A



Speed	Min	Max	Intensive 1	Intensive 2
Air capacity (m³/h)	230	350	500	630
Input	40	75	125	220
Noise level (dB)	49	57	65	71

Features Cooktop:

Dimensions: **700x520mm**
 Cut out: **see template**
 Number of zones: **4**
 Control: **4 Sliding Touch Controls dedicated to each cooking zone**
 Special Functions: **Keeping Warm, Stop & Go, Power Management, Bridge, Flexi Zone**
 Progressive adjustment from 1 to 9 + **Booster**
 Power: **for each cooking zone 4x 220x180 2100W, Booster : 3700W**
 Timer: **End of cooking timer for each zone**
 Total power: **consumption 7.4 kW**
Child safety
 Note: **Installation slim-top/flush-mount**

Note: For the installation of the Smart 2gether, it is necessary to purchase one of the following kits (see details pg 304)



Recirculating Kit
H100: 112.0678.323 **£375**
H60: 112.0678.324 **£314**



Back Recirculating Kit
112.0679.887
£ 236

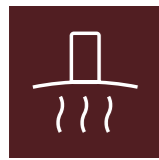


Aspiration Kit
112.0539.569
£ 266



Aspiration Kit H60
112.0632.523
£ 213

Refill Filter
112.0684.123
£41



Hoods

200	Downdraft
203	AQ Sense Vertical Monitor
205	AQ Sense Vertical
207	Maris Drip Free
211	Mythos Per Pro
213	Mythos Pro
215	Mythos Vertical Air Hub
217	Maris Pro
219	Maris Matt Pro
221	Evo Plus
223	Mythos T shape Air Hub
225	Avant Silence Wall
227	Format 45
229	Joy
231	Smart Wall
233	Smart Suspended
237	Mythos T-Shelf
239	Avant Silence Island
241	Mythos 2 Bars
243	AQ Sense Ceiling
245	Mythos Ceiling Air Hub
249	Mythos Full Light
251	Maris Ceiling
253	Atmos Steam Off
255	Box Premium
257	Box EVO
259	Integrata
261	T-Glass Linear Island
263	T-Glass Nice
265	T-Glass Ray



Mythos

Air Hub

The purest air.



An extractor hood and air purifier system all in one. When you think of clean air in your kitchen you usually think of cooking odours, which our Air Hub range removes quickly and effectively, but you rarely think of other polluting elements. Thanks to two separated air streams and two dedicated UV-C lights, the Air Hub hoods remove 99.99% of viruses and bacteria from your kitchen, leaving the air nice to smell and safe to breath.

With our Air Hubs, clean air is served.

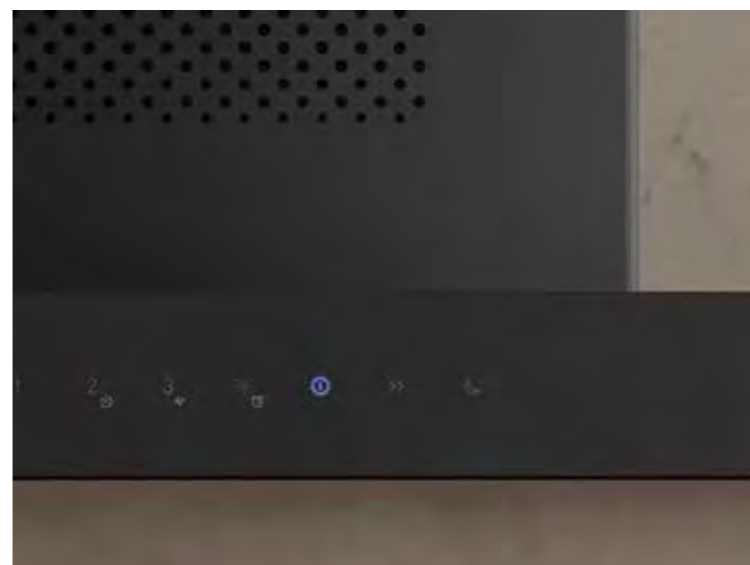


Energy efficient and powerful

Thanks to their energy efficiency, our hoods have an eye for the environment, but they do not give up on efficiency, thanks their powerful blowers.

No ozone production

As confirmed by the University of Siena's laboratories*, our Air Hub removes up to 99.99% of viruses and bacteria thanks to UV-C lighting, with no ozone production and in total safety.



Air purification function

ⓘ MANUAL

Start the purifying of the air. You can switch off manually, or it will automatically switch off after 24 hours

>> INTENSIVE

Maximum speed of purifying in the shortest possible time. Switches off automatically.

🌙 NIGHT

Long cycle for complete purification with the minimum level of noise. Automatically switches on each night.



Mythos Air Hub T-shape



Mythos Air Hub Vertical



Mythos Air Hub Ceiling

Sound Pro Blower

Pleasing the most difficult ears.



Enjoy your kitchen at its best and live it to the fullest, thanks to a blower that won't bother your ears. Franke has carried out in-depth studies on the noise levels and sound frequencies of its blowers, searching for an optimal solution. Following extensive research, it succeeded in developing the latest generation technology, capable of making a more pleasant sound thanks to a reduced disturbance caused by high frequency, and, on certain models, to even contain the noise of the hood.



Turn on the hood and simply forget about it.

■ No vortex

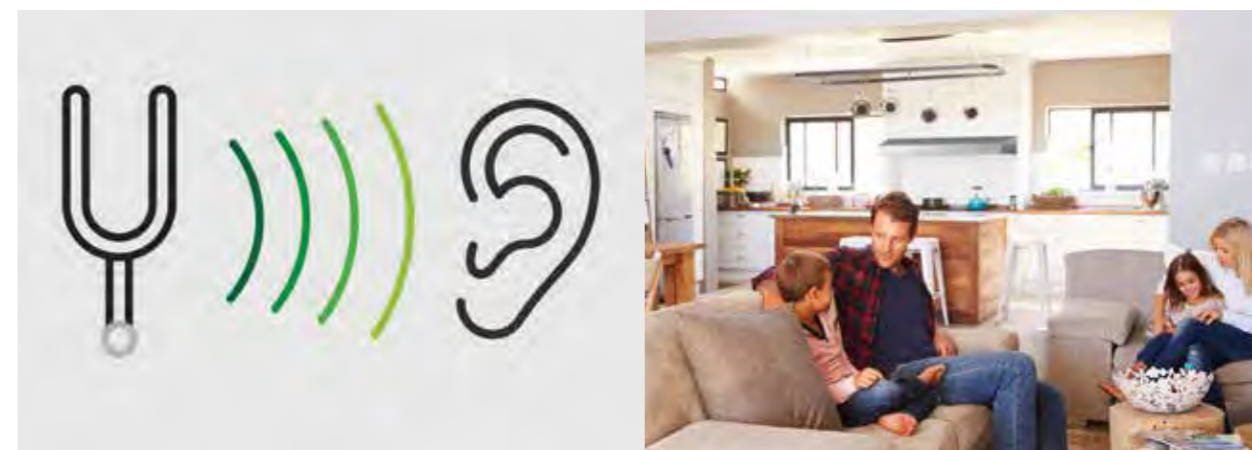
Thanks to an innovative design, the new blower significantly reduces turbulence and vortex of the internal air flow.

■ Less noise

At maximum power, the new technology limits the noise threshold of the hood up to -6db*, or if you prefer, half the noise your ears perceive.

■ Better sound

The sound produced, reducing the disturbance caused by high frequencies, becomes deeper and more pleasant.



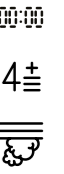
Downdraft



MYTHOS

88

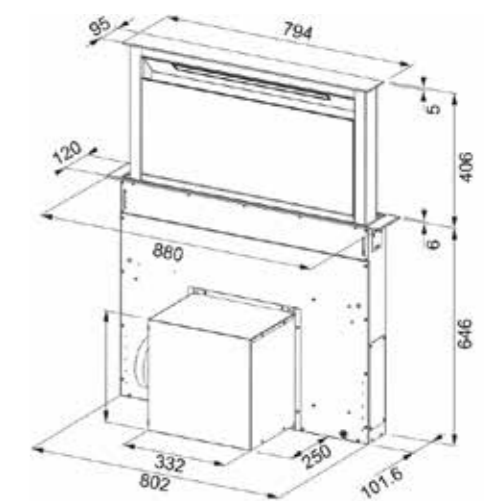
Black Glass
FDW 908 IB XS
110.0365.588
£1570



Features

Installation type	Downdraft
Recirculating extraction	Yes
Ducted extraction	Yes
Rear venting	N/A
Energy class	B
Extraction speeds	4 + Boost
Controls	Capacitive Touch
Remote control	No
Motor type	Energy 800+
Easy-fit	N/A
Charcoal Filter (pg 304)	Not Included 112.0262.703
Lighting	LED Bar

Speed	Min	Max	Intensive
Air capacity (m³/h)	160	420	670
Input	65	190	270
Noise level (dB)	38	57	69



The motorised Downdraft hood allows for an unobtrusive, subtle kitchen style. The motor is situated in the cabinet underneath the hob which can be vented externally, or in recirculating mode.











AQ Sense Range

The hood every home deserves.



Keep clean the air you breathe

The entire range of our AQ SENSE hoods feature an air quality sensor to constantly monitor VOCs (volatile organic compounds), air temperature and humidity and are designed to activate automatically when unsafe levels are detected. Furthermore, through the Franke Cloud app, you can receive real-time and constant information on the quality of the air in your kitchen. The same app also allows you to control the hood's functions via any mobile phone or tablet: turn on and off, adjust the suction speed or adapt the light settings to create a perfect environment.

-  **Air quality sensor**
Constantly monitors VOCs (volatile organic compounds), air temperature and humidity
-  **A hood with a view***
Enjoy a 21.5" display and browse the web.
-  **Auto function**
Save energy: the suction speed will automatically start at the right level for what you are cooking and it will work until the air quality reaches a satisfactory level.
-  **Multiple timer***
Keep track of time! And manage more than one timer at a time.
-  **Voice control** compatible**
Control your hood with just your voice! Perfect for when your hands are busy preparing and cooking your favorite dishes.
-  **Your photos***
Enjoy your family moments on the wide screen and personalize your hood's background.
-  **Touch Display***
In addition to keeping you constantly informed on air quality, it also allows you to easily control the hood, having its numerous features at your fingertips.
-  **Built-in browser***
Browse the web to find the best recipes, listen to your favourite music, check on the weather or the news and get access to a world of online content
-  **Dimmerable light***
Adjust the intensity of the light to create the perfect ambience.
-  **Camera***
Link your Wi-Fi camera and keep everything under control.

* Exclusive feature to AQ Range FKAS A80 BK

**Voice control devices not included

AQ Sense Monitor



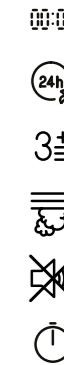
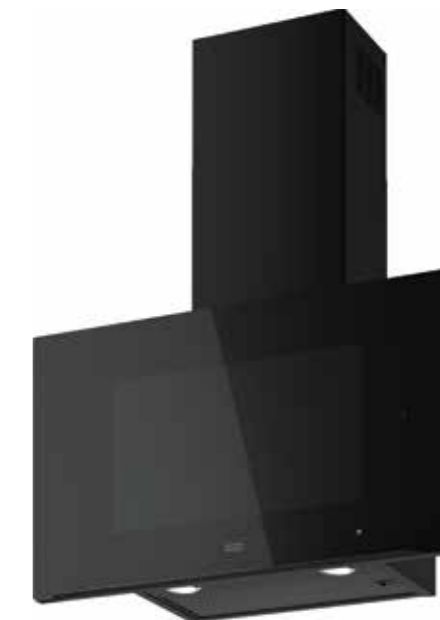
The AQ Sensor Wall Hood will constantly monitor the air quality within your kitchen and adjust the ventilation to suit. It will measure temperature, humidity and the presence of VOC's (volatile organic compounds which are harmful to health) and adjust accordingly. The AQ Sensor Wall Hood also boasts WIFI connectivity and 21" colour touch screen to enable you to watch your favourite videos and recipes via a web browser while you are cooking.

This hood is also app-enabled allowing you to control the settings via your mobile phone, or alternatively use Amazon Alexa!

MYTHOS

80

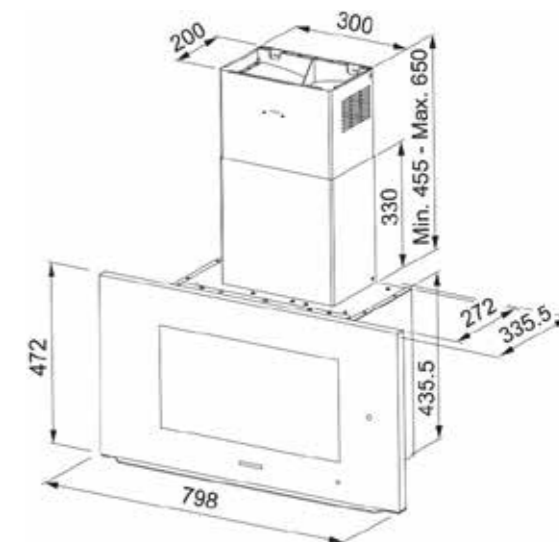
Black
FKAS A80 BK
330.0657.269
£3870



Features

Installation type	Wall
Recirculating extraction	Yes
Ducted extraction	Yes
Rear venting	N/A
Energy class	A
Extraction speeds	3+i
Controls	Touch, Vocal Control, Mobile App
Remote control	Yes-optional
Motor type	Sound Pro+
Easy-fit	N/A
Charcoal Filter (pg 304)	Not Included 112.0016.755
Lighting	2 x LED

Speed	Min	Max	Intensive
Air capacity (m ³ /h)	280	580	740
Input	160	240	250
Noise level (dB)	48	62	67



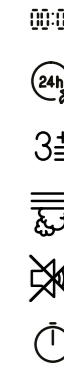
AQ Sense Vertical



MARIS

80

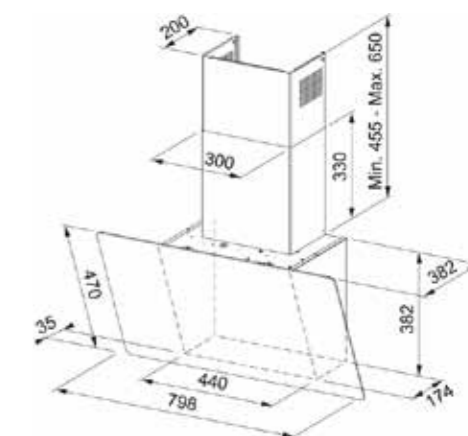
Black Glass
FVAS A80BK/2
330.0657.270
£1290



Features

Installation type	Wall
Recirculating extraction	Yes
Ducted extraction	Yes
Rear venting	No
Energy class	A+
Extraction speeds	3+i
Controls	Touch, Vocal Control, Mobile App
Remote control	Yes-optional
Motor type	Sound Pro+
Easy-fit	No
Charcoal Filter (pg 304)	Not Included 112.0016.755
Lighting	2 x LED

Speed	Min	Max	Intensive
Air capacity (m³/h)	300	620	770
Input	150	240	250
Noise level (dB)	48	63	68



The AQ Sense Vertical Wall Hood will ensure your kitchen is clean and safe. By monitoring humidity, and levels of VOC's (volatile organic compounds) this hood will auto-activate when acceptable levels are exceeded.

Operating the hood could not be simpler and can be controlled by your mobile phone app or even by talking to your Amazon Alexa!



Maris

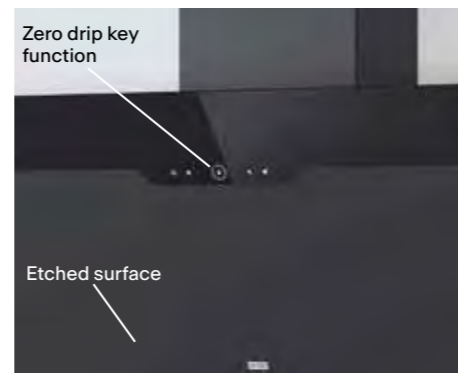
Drip Free



Exclusive design combining together matt and glossy black. The control panel is glossy while the lower section is matt to hide finger prints.

DRIP FREE THERMO-RESISTANCE BUTTON

At the touch of a button the heated glass panel stops condensation while the shape of the frontal filter area prevents drips forming. A simple touch of a button takes care of condensation, ensuring nothing drips down onto the hob or into your food.

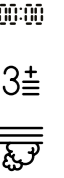


All prices are inclusive of VAT

MARIS



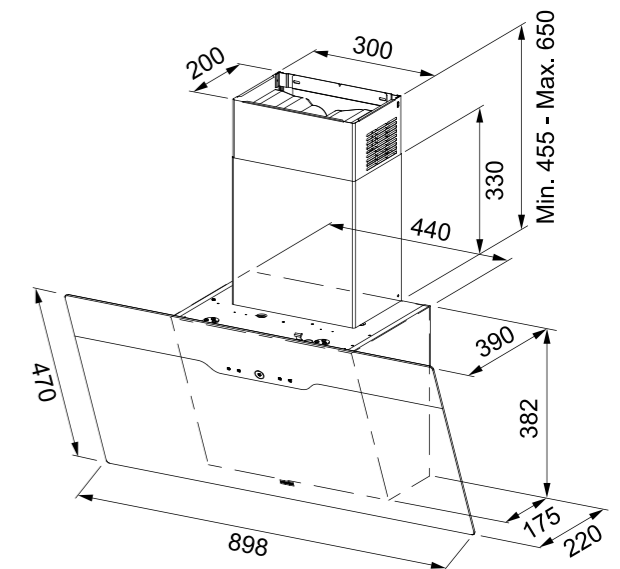
Black
FVAD A90 BK MATT/2
330.0657.418
£1183



Features

Installation type	Wall
Recirculating extraction	Yes
Ducted extraction	Yes
Rear venting	No
Energy class	A
Extraction speeds	3+i
Controls	Capacitive Touch
Remote control	N/A
Motor type	Sound Pro+
Easy-fit	No
Charcoal Filter (pg 304)	Included 112.0016.755
Lighting	2 x LED

Speed	Min	Max	Intensive
Air capacity (m ³ /h)	290	600	740
Input	150	240	250
Noise level (dB)	48	63	68



Vertical Pro Hoods

Get to know the all-new angles of performance.



Our Maris and Mythos families welcome an even more premium range. Meet the new Vertical Pro high-performance hood range featuring more power, wider shapes, and better cleaning solutions. Thanks to the Sound-Pro blower, a new, one-of-a-kind filter and wider dimensions it is now quick and easy to access the inner parts of the hood. The new design of the hood's body allows a more powerful suction of cooking fumes, an easier cleaning and a brighter cooking area.

Discover the Vertical Pro exclusive features:

- Great sturdiness
- The hood's structure integrates perfectly with your kitchen's splashback
- Better illumination on the hob
- Easier access for cleaning and maintenance
- Larger filter size for a more powerful vapour suction

Mythos



Mythos Pro



Mythos Perimetral Pro

Mythos Pro and Pro Perimetral

The exclusive premium range of our Mythos segment, available in the 90 cm size, now proudly offers LED bars able to brighten the whole induction hob; the Tunable White with dimmer function; the double intensive-aspiration producing a mere 56 DB at maximum speed, and the high-performance filter is included. Will you choose to go for the best-in-class A+++ Energy Rated **Mythos Pro Perimetral** or the stylish **Mythos Pro**, available in its exclusive matt black and stainless steel stripes?

Maris

Maris Matt Pro and Pro

The functional and durable Mythos range is available in both 80 or 90cm sizes, features 2 LED dimmable spotlight to brighten your whole induction hob and the Charcoal Filter (pg 304)s come as standard. Both are A+ energy-rated and are easy on the ears too, producing only 56 DB at maximum speed. Will your kitchen display an elegant **Maris 2.0 Pro** with its intuitive digit interface or the exclusive enamelled Matt Black panel of the **Maris Pro Matt**?



Maris Matt Pro



Maris Pro

Control it with the Franke@Home App



Mythos Per Pro

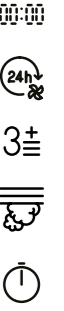


MYTHOS

NEW

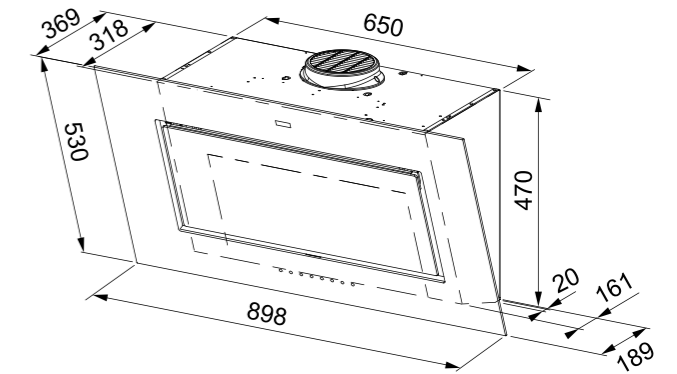
90

Black
FMY PER PRO BK F90
330.0682.354
£1200



Features

Installation type	Wall
Recirculating extraction	Yes
Ducted extraction	Yes
Rear venting	No
Energy class	A++
Extraction speeds	3+2i
Controls	Capacitative Touch
Remote control	No
Motor type	Sound Pro Brushless
Easy-fit	No
Charcoal Filter (pg 304)	Yes
Lighting	1 x Dimmable LED Bar



Speed	Min	Max	Intensive 1	Intensive 2
Air capacity (m³/h)	230	450	880	740
Input	8	30	170	100
Noise level (dB)	41	56	71	67

Chimneys
112.0683.833
112.0683.832

Mythos Pro

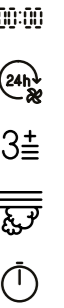


MYTHOS

NEW

90

Black
FMY PRO 907 FM BK/BK MATT
330.0682.353
£1100



NEW

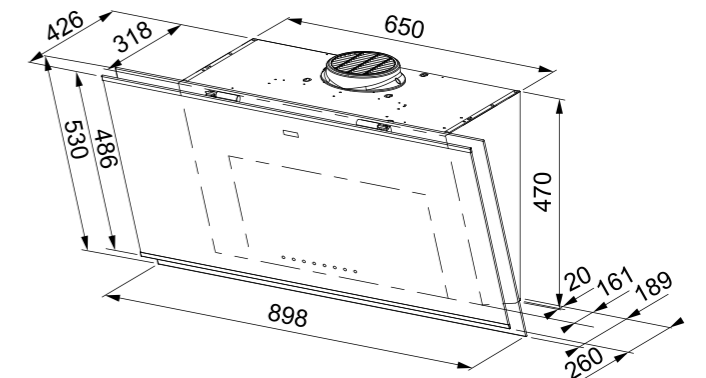
90

Black
FMY PRO 907 FM BK/IX
330.0682.352
£1140



Features

Installation type	Wall
Recirculating extraction	Yes
Ducted extraction	Yes
Rear venting	No
Energy class	A++
Extraction speeds	3+2i
Controls	Capacitive Touch
Remote control	No
Motor type	Sound Pro Brushless
Easy-fit	No
Charcoal Filter (pg 304)	Yes 112.0016.755
Lighting	2 x LED



Speed	Min	Max	Intensive 1	Intensive 2
Air capacity (m³/h)	230	450	880	740
Input	8	30	170	100
Noise level (dB)	41	56	71	67

Chimneys
112.0683.832
112.0683.833

Mythos Vertical Air Hub



NEW

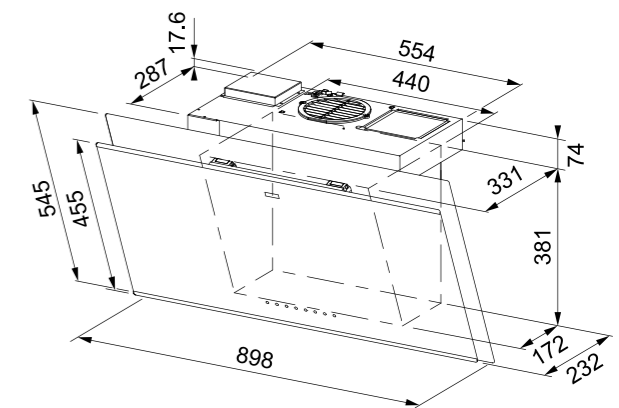
90

Black
FVMY AH BK F90 UK
330.0685.564
£1200



Features

Installation type	Wall
Recirculating extraction	Yes
Ducted extraction	Yes
Rear venting	No
Energy class	A+
Extraction speeds	3+i
Controls	Capacitive Touch
Remote control	N/A
Motor type	Radial Purifier
Easy-fit	No
Charcoal Filter (pg 304)	No
Lighting	2 x LED



Speed	Min	Max	Intensive
Air capacity (m³/h)	250	470	800
Input	160	130	270
Noise level (dB)	48	57	69

Maris Pro

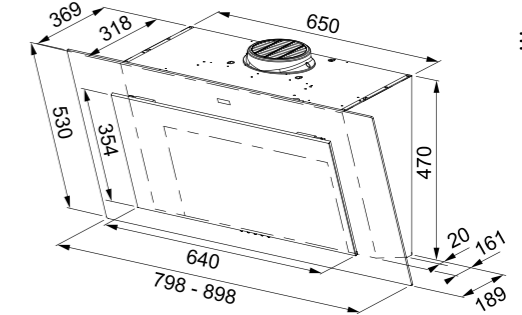


MARIS

NEW

80

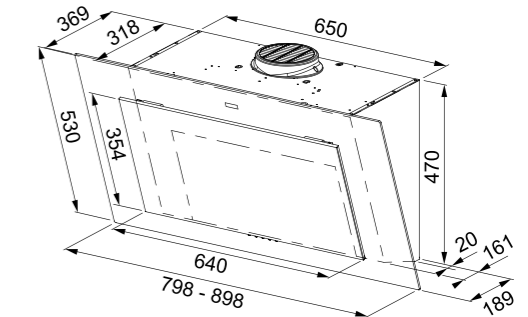
Black
FMA PRO 807 BK
325.0682.358
£999



NEW

90

Black
FMA PRO 907 BK
325.0682.357
£1050



Features

Installation type	Wall
Recirculating extraction	Yes
Ducted extraction	Yes
Rear venting	No
Energy class	A+
Extraction speeds	3+i
Controls	Capacitive Touch
Remote control	N/A
Motor type	Sound Pro ++
Easy-fit	No
Charcoal Filter (pg 304)	Included 112.0016.755
Lighting	2 x LED

Speed	Min	Max	Intensive
Air capacity (m³/h)	270	450	790
Input	160	240	270
Noise level (dB)	46	56	68

Chimneys
112.0683.832
112.0683.833

Maris

Matt Pro



MARIS

NEW

80

Black
FMA PRO 807 BK/BK MATT
325.0682.356
£880



NEW

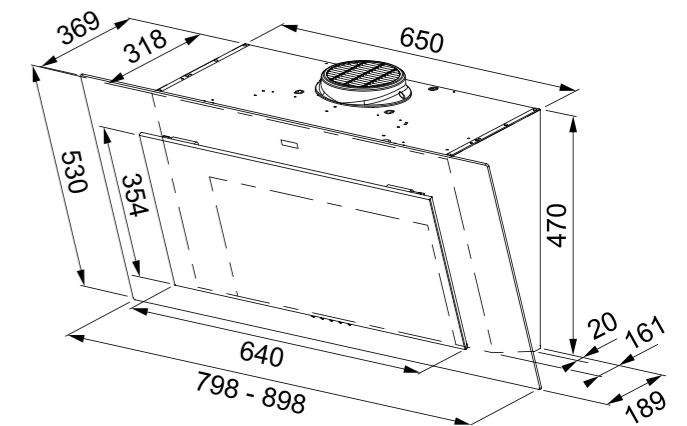
90

Black
FMA PRO 907 BK/BK MATT
325.0682.355
£940



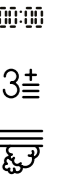
Features

Installation type	Wall
Recirculating extraction	Yes
Ducted extraction	Yes
Rear venting	No
Energy class	A+
Extraction speeds	3+i
Controls	Capacitive Touch
Remote control	N/A
Motor type	Sound Pro A++
Easy-fit	No
Charcoal Filter (pg 304)	Included 112.0016.755
Lighting	1 x Dimmable LED



Speed	Min	Max	Intensive
Air capacity (m³/h)	270	450	790
Input	160	240	270
Noise level (dB)	46	56	68

Chimneys
112.0683.833
112.0683.832



Evo Plus



SMART

NEW

60

Black
HOOD FPJ 625 V BK/SS2 FRANKE
330.0528.064
£537



NEW

60

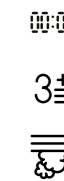
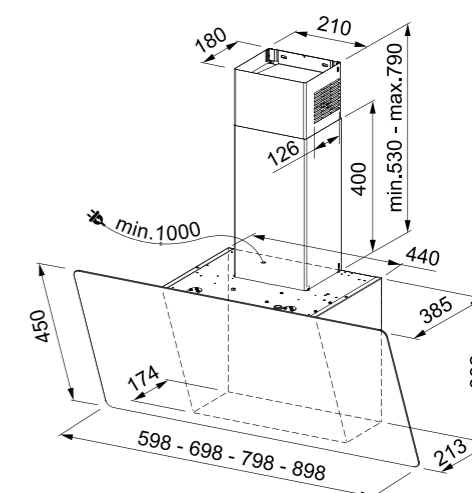
White
HOOD FPJ 625 V WH/SS2 FRANKE
330.0528.065
£537



Features

Installation type	Wall
Recirculating extraction	Yes
Ducted extraction	Yes
Rear venting	No
Energy class	A+
Extraction speeds	3+i
Controls	Capacitive Touch
Remote control	N/A
Motor type	Sound Pro A++
Easy-fit	No
Charcoal Filter (pg 304)	Included 112.0016.755
Lighting	2 x LED

Speed	Min	Max	Intensive
Air capacity (m³/h)	280	470	800
Input	160	230	270
Noise level (dB)	48	57	69



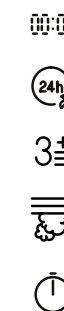
Mythos T Shape Air Hub



NEW

90

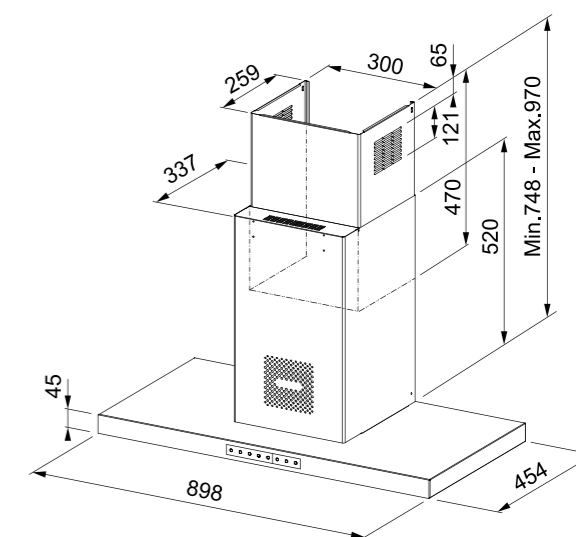
Black
FTMY AH BK MATT F90
325.0679.323
£1075



Features

Installation type	Wall
Recirculating extraction	Yes
Ducted extraction	Yes
Rear venting	No
Energy class	A
Extraction speeds	3+i
Controls	Capacitive Touch
Remote control	No
Motor type	Radial Purifier
Easy-fit	No
Charcoal Filter (pg 304)	Included 112.0016.756
Lighting	2 x UVC

Speed	Min	Max	Intensive
Air capacity (m³/h)	280	580	740
Input	150	240	250
Noise level (dB)	56	68	72



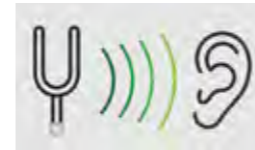
Avant Silence Wall



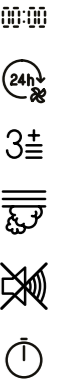
NOISE REDUCTION AND SOUND QUALITY OPTIMISATION

Thanks to an innovative design, the new motor significantly reduces the turbulence of the internal air flow. Also includes additional adjustable light temperature control 3000K and 24 hour air circulation mode. At maximum power, the new technology limits the noise threshold of the hood up to -6db, but it doesn't stop there. It also optimizes the sound produced, reducing the disturbance caused by high frequencies.

MYTHOS



Stainless Steel/Black
FTLN H45 X/BK GLASS A90 FRK
325.0657.267
£1075

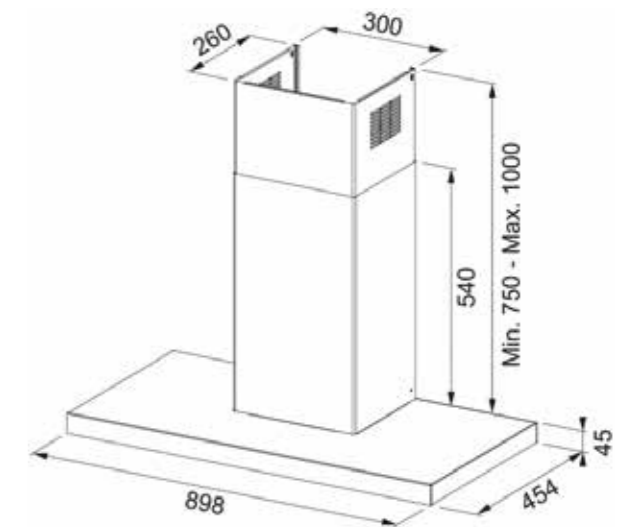


Chimney Extension: 112.0017.983 £156

Features

Installation type	Wall
Recirculating extraction	Yes
Ducted extraction	Yes
Rear venting	No
Energy class	A+
Extraction speeds	3+i
Controls	Capacitive Touch
Remote control	Yes-optional
Motor type	Sound Pro++
Easy-fit	No
Charcoal Filter (pg 304)	Included 112.0016.756
Lighting	2 x LED

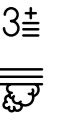
Speed	Min	Max	Intensive
Air capacity (m³/h)	255	470	750
Input	165	240	270
Noise level (dB)	45	57	68



Format 45



SMART



60

Stainless Steel
FDF EV8 60 XS/2
325.0599.575
£343



90

Stainless Steel
FDF EV8 90 XS
325.0599.549
£363



70

Stainless Steel
FDF EV8 70 XS/2
325.0599.576
£349



90

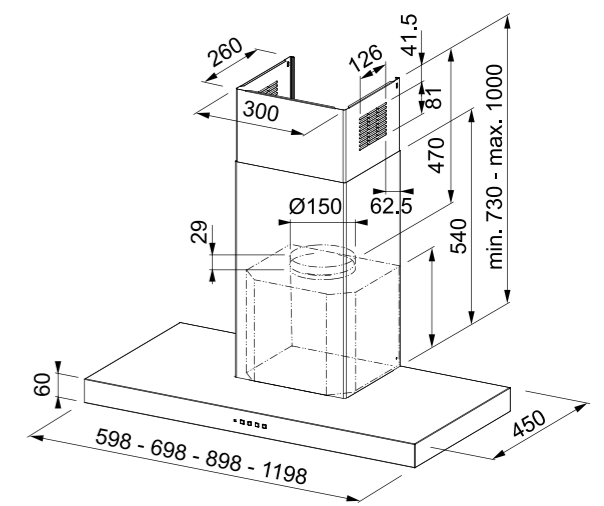
Stainless Steel
FDF EV8 90 BK
325.0599.574
£395



Features

Installation type	T-Shape Wall
Recirculating extraction	Yes
Ducted extraction	Yes
Rear venting	No
Energy class	B
Extraction speeds	3+i
Controls	Push Button
Remote control	No
Motor type	Sound Pro 800
Easy-fit	No
Charcoal Filter (pg 304)	Not Included 112.0016.756
Lighting	2 x LED

Speed	Min	Max	Intensive
Air capacity (m³/h)	290	610	710
Input	130	210	250
Noise level (dB)	50	66	69



Joy



SMART

60

Stainless Steel
FJO 624 XS
320.0545.169
£141



90

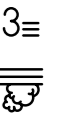
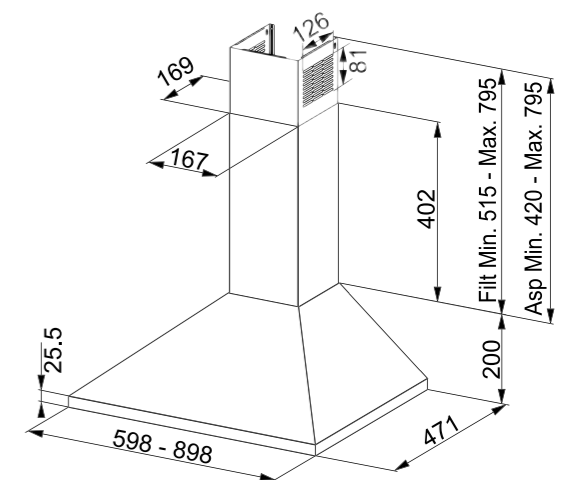
Stainless Steel
FJO 924 XS
320.0545.172
£162



Features

Installation type	T-Shape Wall
Recirculating extraction	Yes
Ducted extraction	Yes
Rear venting	No
Energy class	D
Extraction speeds	3
Controls	Square Push Buttons
Remote control	No
Motor type	New Smile 450
Easy-fit	No
Charcoal Filter (pg 304)	Not Included 112.0067.942
Lighting	2 x LED

Speed	Min	Max	Intensive
Air capacity (m³/h)	255	330	430
Input	95	125	145
Noise level (dB)	58	62	67



Smart Wall



SMART

NEW

42

Black
FSMS WALL F42 BK MATT
335.0689.671
£1165



NEW

42

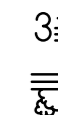
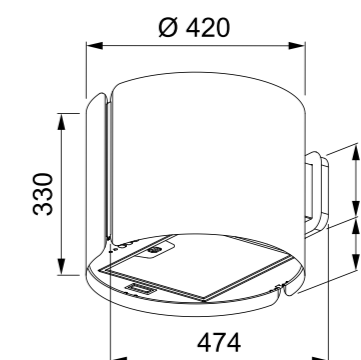
White
FSMS WALL F42 WH MATT
335.0689.672
£1165



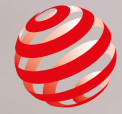
Features

Installation type	Wall
Recirculating extraction	Yes
Ducted extraction	No
Rear venting	No
Energy class	A
Extraction speeds	3+i
Controls	Push Button
Remote control	No
Motor type	Sound Pro+
Easy-fit	No
Charcoal Filter (pg 304)	Yes
Lighting	2 x LED

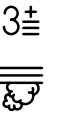
Speed	Min	Max	Intensive
Air capacity (m³/h)	270	580	740
Input	150	240	250
Noise level (dB)	53	66	70



Smart Suspended



reddot winner 2022



Stainless Steel
FSMS 42 SS/BK MATT
345.0654.870
£1064



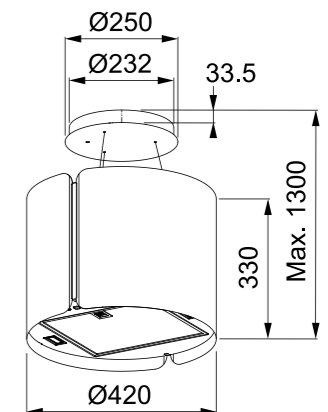
White
FSMS 42 WH MATT
345.0654.932
£1064



Black
FSMS 42 BK MATT
345.0654.933
£1064

Features

Installation type	Island
Recirculating extraction	Yes
Ducted extraction	No
Rear venting	No
Energy class	A
Extraction speeds	3+i
Controls	Push Button
Remote control	N/A
Motor type	Sound Pro+
Easy-fit	No
Charcoal Filter (pg 304)	Included 112.0067.755
Lighting	2 x LED



Speed	Min	Max	Intensive
Air capacity (m³/h)	270	580	740
Input	150	240	250
Noise level (dB)	53	66	70

Mythos T-Shelf

Powerful, beautiful organisation.



The purpose of design is to blend functionality and beauty, our Mythos T-Shelf island hood makes this aim its own. Industrial-styled lines meet smoky glass shelves, combining rigour and lightness in the look with a perfect 360° use of the hood, thanks to the symmetrical position of the user interface and lights.



LED Light bars

Create the perfect atmosphere with two LED light bar with dimmable function.



Intensive Speed

Enjoy your living area thanks to the Sound Pro Blower. Silence at maximum performance.



Integrated style

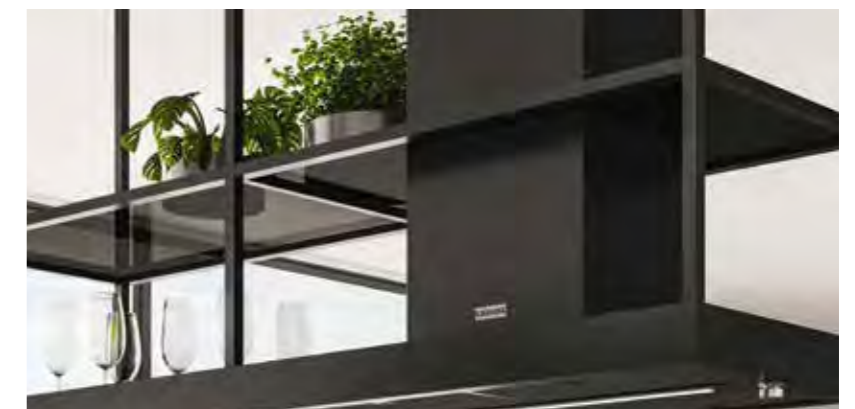
Matt black grease filters perfectly matching the hood design.



Smoky glass shelves

Customise and organise the space in your kitchen.

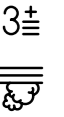
Find the look that suits your kitchen.



Mythos

T-Shelf

Powerful, beautiful organisation.



NEW

180

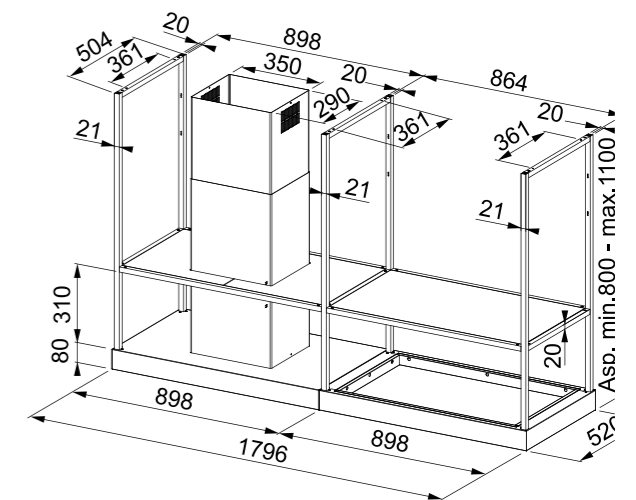
Stainless Steel /Black
 FMY BK MATT F180 FRANKE
 325.0678.073
 £2875



Features

Installation type	Island
Recirculating extraction	Yes
Ducted extraction	Yes
Rear venting	No
Energy class	A
Extraction speeds	3+i
Controls	Push Button
Remote control	No
Motor type	Sound Pro +
Easy-fit	No
Charcoal Filter (pg 304)	Yes
Lighting	2 x LED Bar

Speed	Min	Max	Intensive
Air capacity (m³/h)	280	600	750
Input	150	240	250
Noise level (dB)	50	66	70



Avant Silence Island

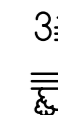


NOISE REDUCTION AND SOUND QUALITY OPTIMISATION

Thanks to an innovative design, the new motor significantly reduces the turbulence of the internal air flow. Also includes additional adjustable light temperature control 3000K and 24 hour air circulation mode. At maximum power, the new technology limits the noise threshold of the hood up to -6db, but it doesn't stop there. It also optimizes the sound produced, reducing the disturbance caused by high frequencies.



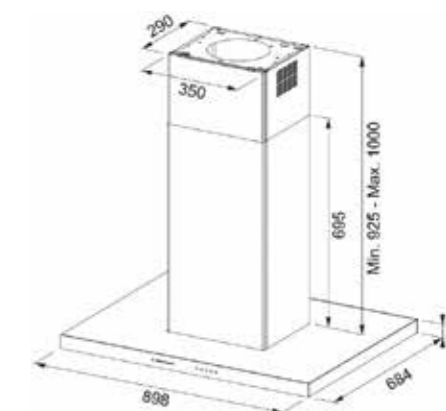
Stainless Steel /Black
FTLN I H45 X/BK GLASS A90
325.0657.268
£1505



Features

Installation type	Island
Recirculating extraction	Yes
Ducted extraction	Yes
Rear venting	No
Energy class	A+
Extraction speeds	3+i
Controls	Capacitive Touch
Remote control	N/A
Motor type	Sound Pro++
Easy-fit	No
Charcoal Filter (pg 304)	Included 112.0016.756
Lighting	4 x LED

Speed	Min	Max	Intensive
Air capacity (m³/h)	285	470	750
Input	165	240	270
Noise level (dB)	48	57	68



SOUND PRO HUSH, it's cooking time!

As kitchens become places for meeting and sharing moments at home, hoods increasingly need to combine high performances with silent motors. Following in-depth studies and extensive research, Franke developed a solution: Sound PRO.

Mythos

2 Bars



MYTHOS

NEW

90

Stainless Steel
FCMY 90 C XS
350.0679.881
£1650



NEW

90

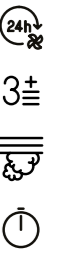
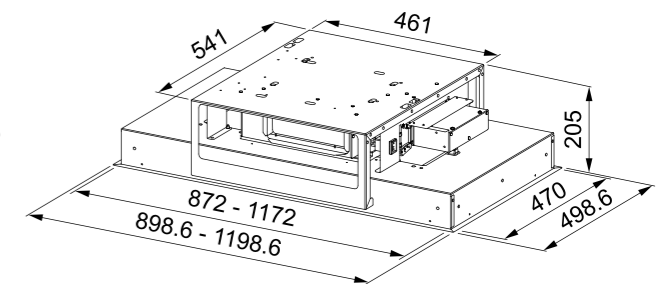
White
FCMY 90 C WHG A 2B
350.0679.883
£1715



Features

Installation type	Ceiling
Recirculating extraction	Yes
Ducted extraction	Yes
Rear venting	No
Energy class	A+
Extraction speeds	3+2i
Controls	Touch, Vocal Control, Mobile App Push Button
Remote control	Yes-Included
Motor type	MULTIFAN A++
Easy-fit	Yes
Charcoal Filter (pg 304)	Not Included 112.0339.360
Lighting	2 x LED

Speed	Min	Max	Intensive 1	Intensive 2
Air capacity (m³/h)	200	400	720	520
Input	15	85	250	220
Noise level (dB)	43	59	72	65



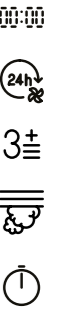
AQ Sense Ceiling



MARIS

90

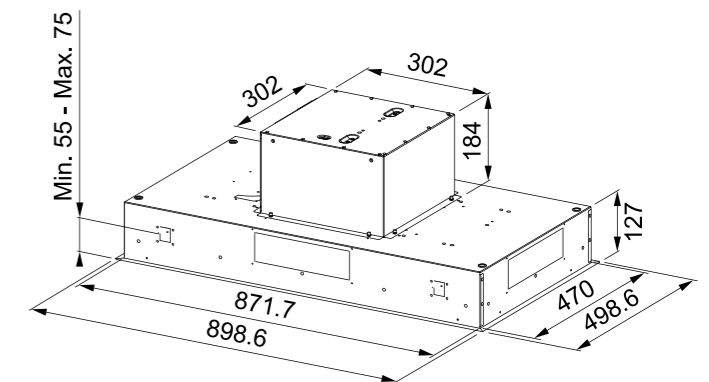
Stainless Steel
FCAS A90 XS
350.0657.264
£1720



Features

Installation type	Ceiling
Recirculating extraction	Yes
Ducted extraction	Yes
Rear venting	No
Energy class	A
Extraction speeds	3+i
Controls	Voice Control, Mobile APP, Push Button
Remote control	Yes-Included
Motor type	Sound Pro A+
Easy-fit	Yes
Charcoal Filter (pg 304)	Not Included 112.0016.755
Lighting	2 x LED

Speed	Min	Max	Intensive
Air capacity (m ³ /h)	290	610	770
Input	150	240	250
Noise level (dB)	48	63	68



The AQ-Sense Ceiling hood keeps the air in your home clean - constantly monitoring air quality and activating automatically if unsafe levels are detected. Constantly monitors VOC (Volatile Organic Compounds), air temperature and humidity to ensure your kitchen and home remain a fresh and pleasant environment. There's an auto and 24 hour function, Franke Cloud App and is also Alexa compatible so controlling the hood is easy with either voice or remote control.



Mythos Ceiling Air Hub

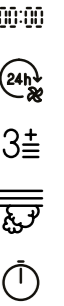


MYTHOS

NEW

120

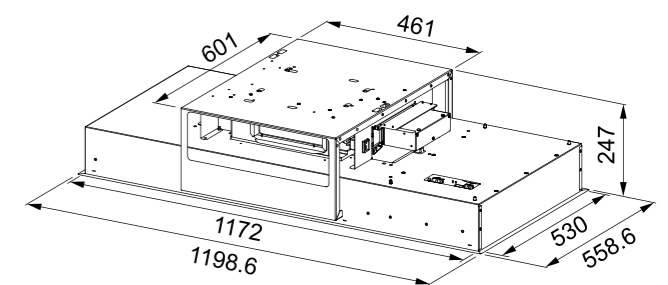
White
FCMY 120C WHG A AH
350.0679.885
£1950



Features

Installation type	Ceiling
Recirculating extraction	Yes
Ducted extraction	Yes
Rear venting	No
Energy class	A+
Extraction speeds	3+2i
Controls	Voice Control, Mobile APP, Push Button
Remote control	Yes-Included
Motor type	MULTIFAN A++
Easy-fit	Yes
Charcoal Filter (pg 304)	No
Lighting	1 x LED Bar

Speed	Min	Max	Intensive 1	Intensive 2
Air capacity (m ³ /h)	190	400	700	530
Input	15	85	250	220
Noise level (dB)	43	60	72	66



Mythos Full Light

See your kitchen under a new light.



Our Mythos Full Light is all you will need to see your kitchen under a new light. Its full light panel can immerse your entire environment into 5 different brightening hues, selectable with the complimentary remote control or via any of your smart devices and the Franke@Home app.

The idea of giving your kitchen the maximum sensation of space led to the entire development of this new ceiling hood, which makes its minimal design one of its biggest prides. With a slim stainless-steel frame, the hood lets air flow freely in the environment but is also ready to make you forget any cooking odour within just a few moments, thanks to the functionality of the perimetral aspiration.

Less really is more.

Premium quality



High-end premium stainless-steel and elegant white glass give a high-end look to this ceiling hood and to your kitchen.



Create your environment

The full light panel is tunable to 5 shades of white thanks to the Tunable White function, to make your kitchen match any mood and moment.



At your service

Control your hood with the Franke@Home app or with the included remote control.



Seamless & integrated

Cook in total freedom! You won't even notice the beautifully integrated hood on your ceiling, except for when you need to extract cooking odours or if want more light in the room.

Control it with the Franke@Home App



Mythos

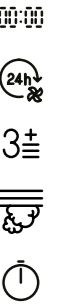
Full Light



NEW

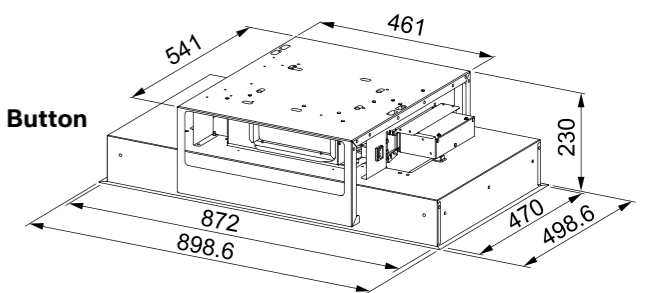
90

White
FCMY 90C WHG A FL
350.0679.886
£1800



Features

Installation type	Ceiling
Recirculating extraction	Yes
Ducted extraction	Yes
Rear venting	No
Energy class	A
Extraction speeds	3+2i
Controls	Voice Control, Mobile APP, Push Button
Remote control	Yes-Included
Motor type	MULTIFAN A++
Easy-fit	Yes
Charcoal Filter (pg 304)	Not included 112.0339.360
Lighting	1 x LED Panel



Speed	Min	Max	Intensive	Intensive 2
Air capacity (m³/h)	200	400	720	520
Input	15	85	250	220
Noise level (dB)	43	59	72	65



Maris Ceiling



MARIS

NEW

90

Stainless Steel
FCMA 90 C XS A
350.0679.877
£1399



NEW

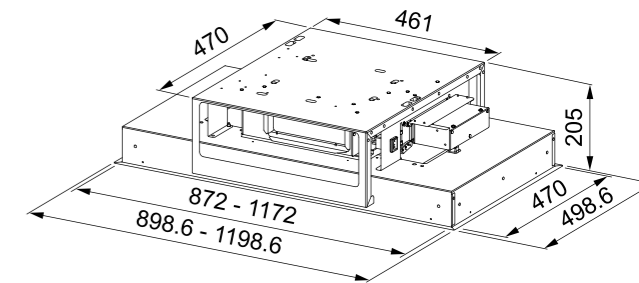
90

White
FCMA 90 C WHG A
350.0679.879
£1520



Features

Installation type	Ceiling
Recirculating extraction	Yes
Ducted extraction	Yes
Rear venting	No
Energy class	A+
Extraction speeds	3+2i
Controls	Voice Control Mobile APP, Push Button
Remote control	Yes-Included
Motor type	MULTIFAN A++
Easy-fit	Yes
Charcoal Filter (pg 304)	Not included 112.0339.360
Lighting	6 x LED



Speed	Min	Max	Intensive 1	Intensive 2
Air capacity (m³/h)	200	400	720	520
Input	15	85	250	220
Noise level (dB)	43	59	72	65



Atmos

Steam Off



Stainless Steel/Glass
ATMOS 604
305.0504.069
£906

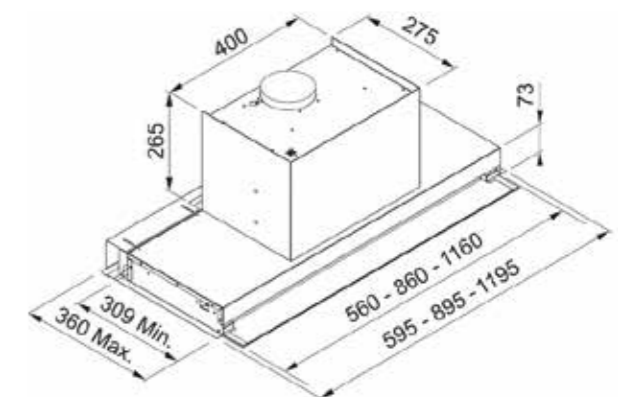


Stainless Steel/Glass
ATMOS 904
305.0504.066
£953



Features

Installation type	Built-In
Recirculating extraction	Yes
Ducted extraction	Yes
Rear venting	No
Energy class	A
Extraction speeds	3+i
Controls	Buttons
Remote control	Yes-Optional
Motor type	Energy C
Easy-fit	Yes
Charcoal Filter (pg 304)	Not Included 112.0542.064 £50
Lighting	2 x LED



Speed	Min	Max	Intensive
Air capacity (m³/h)	140	320	430
Input	80	100	125
Noise level (dB)	52	66	70



Note: Patented Steam Control Function to reduce and relieve condensation.

Box Premium

- Alexa compatible
- Flush mounted
- 24 hour circulation mode
- 30 minute delay mode
- Grease filter alarm
- Adjustable light intensity
- Adjustable light temperature



Minimalistic design with no visible controls for a perfect cleanability and features remote and voice control. Its adjustable white LED lighting makes it an elegant and exceptionally efficient choice.

Cooks can also link the Box Flush Premium to any Alexa or Google Home compatible device, allowing access to some features using just voice – leaving hands free to focus on the cooking.



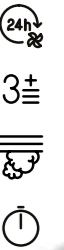
52

Stainless Steel
FBFP XS A52
305.0665.368
£645



70

Stainless Steel
FBFP XS A70
305.0665.369
£688



Features

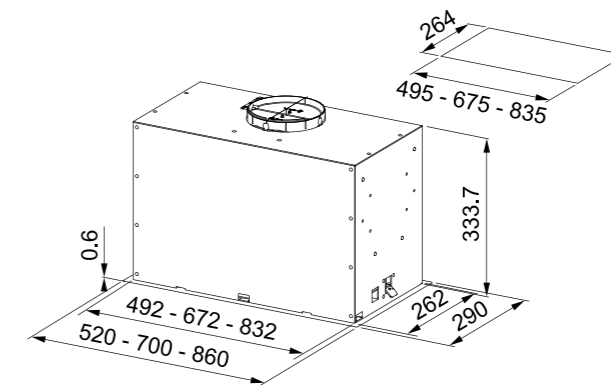
Installation type	Built-In
Recirculating extraction	Yes
Ducted extraction	Yes
Rear venting	No
Energy class	B
Extraction speeds	3+i
Controls	Voice Control, Mobile APP, Push Buttons
Remote control	Yes-Included
Motor type	Sound Pro 800
Easy-fit	Yes
Charcoal Filter (pg 304)	Not Included 112.0016.755
Lighting	LED Bar

Speed	Min	Max	Intensive
Air capacity (m³/h)	280	570	670
Input	130	210	250
Noise level (dB)	47	63	66

Features

Installation type	Built-In
Recirculating extraction	Yes
Ducted extraction	Yes
Rear venting	No
Energy class	A
Extraction speeds	3+i
Controls	Voice Control, Mobile APP, Push Buttons
Remote control	Yes-Included
Motor type	Sound Pro A+
Easy-fit	Yes
Charcoal Filter (pg 304)	Not Included 112.0016.755
Lighting	2 x LED Bar

Speed	Min	Max	Intensive
Air capacity (m³/h)	290	610	720
Input	150	240	250
Noise level (dB)	47	64	68



Box EVO



MARIS

3+



Stainless Steel
FBFE XS A70
305.0675.746
£527

White
FBFE WH MATT A70
305.0670.686
£527

Black
FBFE BK MATT A70
305.0670.687
£527

Features Box Flush Evo 52cm

Installation type	Built-In
Recirculating extraction	Yes
Ducted extraction	Yes
Rear venting	No
Energy class	B
Extraction speeds	3+i
Controls	Push Button
Remote control	N/A
Motor type	Sound Pro 800
Easy-fit	Yes
Charcoal Filter (pg 304)	Not Included 112.0016.755
Lighting	LED Bar

Features Box Flush Evo 70cm

Installation type	Built-In
Recirculating extraction	Yes
Ducted extraction	Yes
Rear venting	No
Energy class	B
Extraction speeds	3+i
Controls	Push Button
Remote control	N/A
Motor type	Sound Pro 800
Easy-fit	Yes
Charcoal Filter (pg 304)	Not Included 112.0016.755
Lighting	LED Bar

Speed	Min	Max	Intensive
Air capacity (m³/h)	280	570	650
Input W	130	210	240
Noise level (dB)	47	64	67

Speed	Min	Max	Intensive
Air capacity (m³/h)	280	540	620
Input W	130	210	240
Noise level (dB)	47	64	67

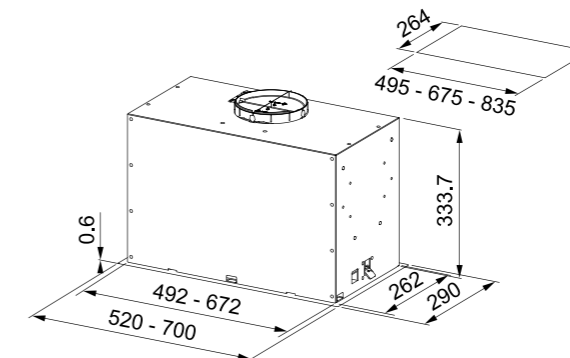
MARIS



Stainless Steel
FBFE XS A52
305.0675.745
£484

White
FBFE WH MATT A52
305.0670.685
£484

Black
FBFE BK MATT A52
305.0670.688
£484



Integrata



SMART

60

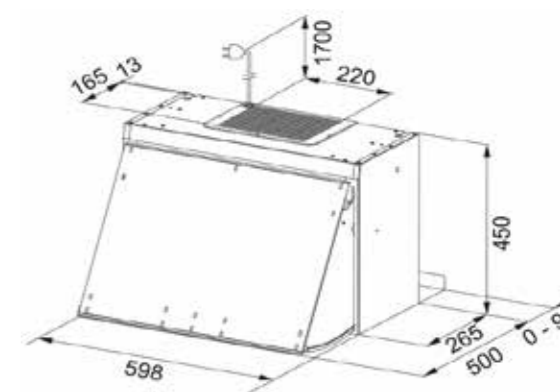
Aluminium/Grey
FFI 622 GR/2
310.0518.755
£320



Features

Installation type	Built-In
Recirculating extraction	Yes
Ducted extraction	Yes
Rear venting	No
Energy class	C
Extraction speeds	3
Controls	Slider
Remote control	No
Motor type	Sound Pro 600
Easy-fit	No
Charcoal Filter (pg 304)	Not Included 112.0016.755
Lighting	2 x LED

Speed	1	2	3
Air capacity (m³/h)	250	390	580
Input	80	105	160
Noise level (dB)	46	54	62



T-Glass Linear Island



SMART

90

Stainless Steel
FGL 925 I XS NP
325.0590.061
£687

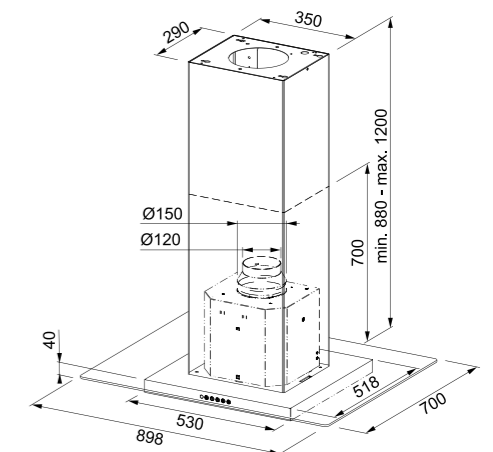


3+
E

Features

Installation type	T-Shape Island
Recirculating extraction	Yes
Ducted extraction	Yes
Rear venting	No
Energy class	B
Extraction speeds	3+i
Controls	Push Button
Remote control	No
Motor type	Sound Pro 800
Easy-fit	No
Charcoal Filter (pg 304)	Not Included 112.0016.756
Lighting	4 x LED

Speed	Min	Max	Intensive
Air capacity (m³/h)	300	600	700
Input	130	210	250
Noise level (dB)	52	67	70



T-Glass Nice



SMART

60

Stainless Steel
FGL 625 XS NP/2
325.0590.997
£327



90

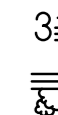
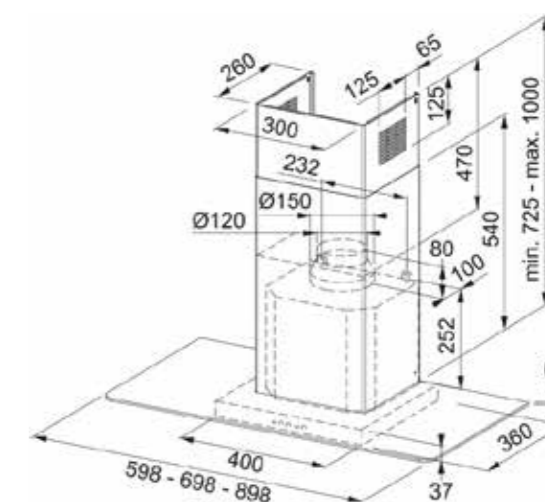
Stainless Steel
FGL 925 XS NP/2
325.0590.996
£363



Features

Installation type	T-Shape Wall
Recirculating extraction	Yes
Ducted extraction	Yes
Rear venting	No
Energy class	B
Extraction speeds	3+i
Controls	Push Button
Remote control	No
Motor type	Sound Pro 800
Easy-fit	Yes
Charcoal Filter (pg 304)	Not Included 112.0016.756
Lighting	2 x LED

Speed	Min	Max	Intensive
Air capacity (m³/h)	300	600	700
Input	130	210	250
Noise level (dB)	52	67	70



T-Glass Ray



SMART

60

Stainless Steel
FGC 625 XS NP/2
325.0591.034
£327



90

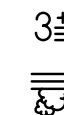
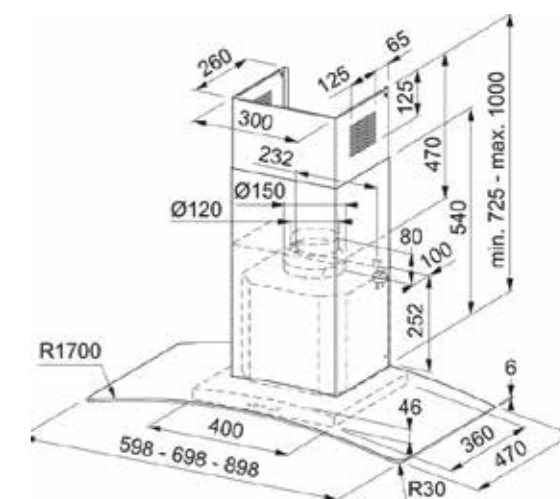
Stainless Steel
FGC 925 XS NP/2
325.0591.036
£363



Features

Installation type	T-Shape Wall
Recirculating extraction	Yes
Ducted extraction	Yes
Rear venting	No
Energy class	B
Extraction speeds	3+i
Controls	Push Button
Remote control	No
Motor type	Sound Pro 800
Easy-fit	Yes
Charcoal Filter (pg 304)	Not Included 112.0016.756
Lighting	2 x LED

Speed	Min	Max	Intensive
Air capacity (m³/h)	300	600	700
Input	130	210	250
Noise level (dB)	52	67	70



Appliances Overview

MYTHOS

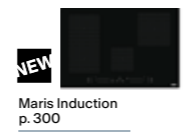
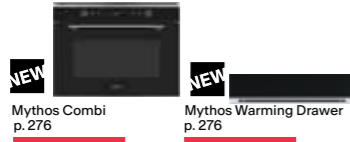
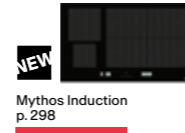
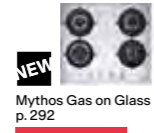
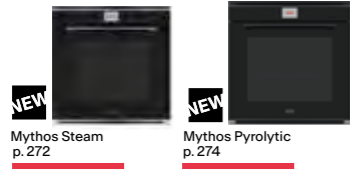
MARIS

SMART

Oven Overview

Hobs Gas

Hobs Induction





Ovens

271	Mythos Steam
273	Mythos Pyrolytic
275	Mythos Combi
277	Maris Pyrolytic
279	Maris
281	Maris Combi Oven



Mythos Steam



reddot winner 2021



MYTHOS

2
YEARS
GUARANTEE

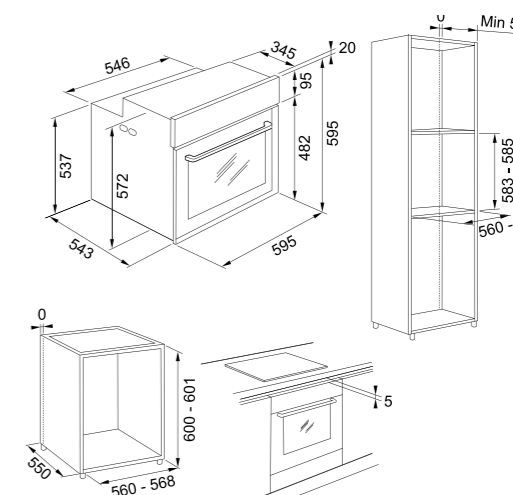
Mythos Steam
FMY 99 HS XS
116.0613.706
£1690

FMY 99 HS BK
116.0613.707
£1740

Accessory: Descaler Kit
112.0639.719
£XX



Type: **Multifunction**
Energy efficiency class: **A+**
Maximum cavity capacity: **73 lt**
Control panel: **Display is TFT full touch in colours**
Number of functions: **19**
Cookassist: **60**
Special functions: **15**
Door: **Smooth2close**
Inner door: **Full glass**
Guides: **1 telescopic guide**
Equipment: **2 grids, 1 tray, 1 steam tray, 1 deep tray**
Notes: **Steam cleaning system**



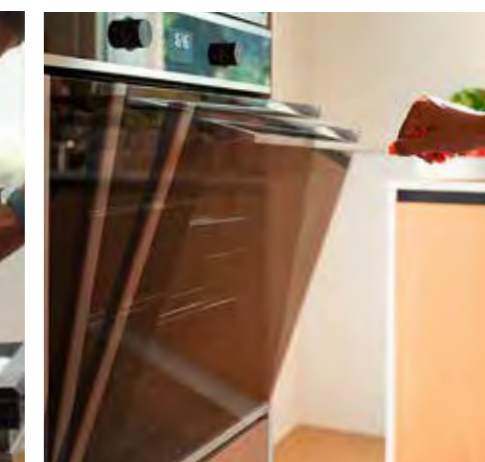
A steamy solution

The special new steam function allows you to cook more calorie-conscious food, with no loss of flavour. And with the large internal capacity you'll have more space to steam or bake different dishes at the same time.



Telescopic Guides

Taking a hot baking tray from the oven is not an easy task. You can customise your oven and add guides as an accessory on as many levels as you want.



Smooth2Close System

The door of the Mythos oven closes softly, silently and precisely.

Mythos Pyrolytic



MYTHOS

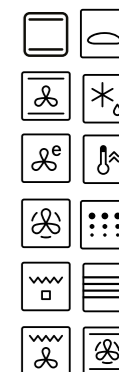
2
YEARS
GUARANTEE

Mythos Pyrolytic
Touch
FMY 99 P XS
116.0613.708
£1080

FMY 99 P BK
116.0613.709
£1115



Type: **Multifunction**
Energy efficiency class: **A+**
Maximum cavity capacity: **73 lt**
Control panel: **Display is TFT full touch in colours**
Number of functions: **10**
Cookassist: **42**
Functions: **17**
Special functions: **15**
Door: **Smooth2close**
Inner door: **Full glass**
Guides: **1 telescopic guide**
Equipment: **2 grids, 1 tray, 1 deep tray**
Notes: **Pyrolytic self-cleaning system**



MYTHOS

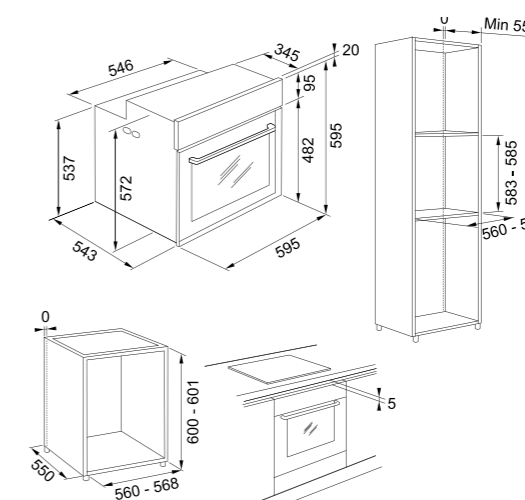
2
YEARS
GUARANTEE

Mythos Pyrolytic
FMY 98 P XS
116.0606.101
£930

FMY 98 P BK
116.0606.102
£970



Type: **Multifunction**
Energy efficiency class: **A+**
Maximum cavity capacity: **73 lt**
Control panel: **white LCD display and push-pull knobs**
Number of functions: **10**
Cookassist: **9**
Door: **Smooth2close**
Inner door: **Full glass**
Guides: **1 telescopic guide**
Equipment: **2 grids, 1 tray, 1 deep tray**
Notes: **Pyrolytic self-cleaning system**



Mythos Combi



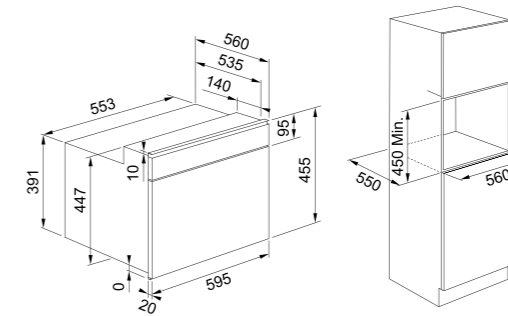
2
YEARS
GUARANTEE

Mythos Combi
FMY 45 MW
131.0606.105
£1240

FMY 45 MW
131.0632.660
£1280



Type: **Combi Microwave**
Maximum cavity capacity: **40 lt**
Control panel: **Push-Pull Knobs with LCD Display**
Number of functions: **9**
Cookassist: **10**
Functions: **9**
Special functions: **7**
Door: **Smooth2close**
Inner door: **Full glass**
Guides: **N/A**
Equipment: **Glass turn table, grill grid, steam box container, baking tray, cover plate**



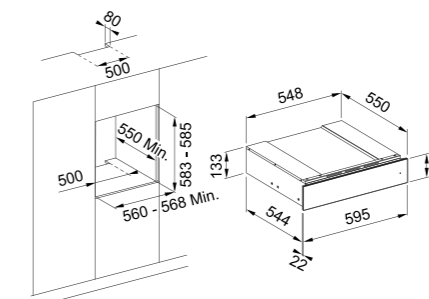
2
YEARS
GUARANTEE

Mythos Warming Drawer
FMY 14 DRW XS
131.0611.212
£560

FMY 14 P DRW BK
131.0640.710
£580



Cavity Capacity: **16 lt**
Load Capacity: **25kg**



Maris Pyrolytic



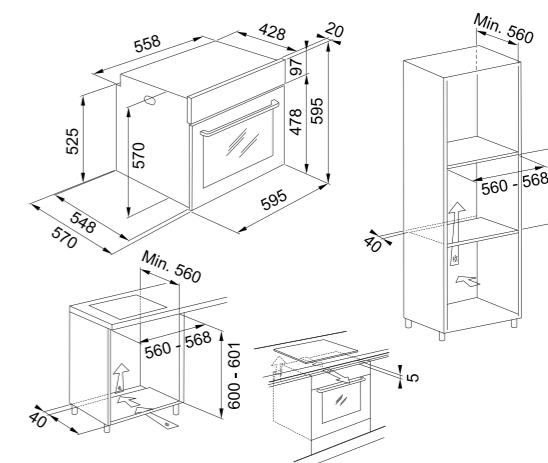
MARIS

2
YEARS
GUARANTEE

FMA 97 P XS
116.0606.100
£820



Type: **Multifunction**
Energy efficiency class: **A+**
Maximum cavity capacity: **71 lt**
Control panel: **White LED display with push-pull knobs**
Number of functions: **9**
Door: **Smooth2close**
Inner door: **Full glass**
Equipment: **2 wire shelves (1 level partial), 1 baking tray, 1 deep tray**
Notes: **Pyrolytic self-cleaning system**



Maris



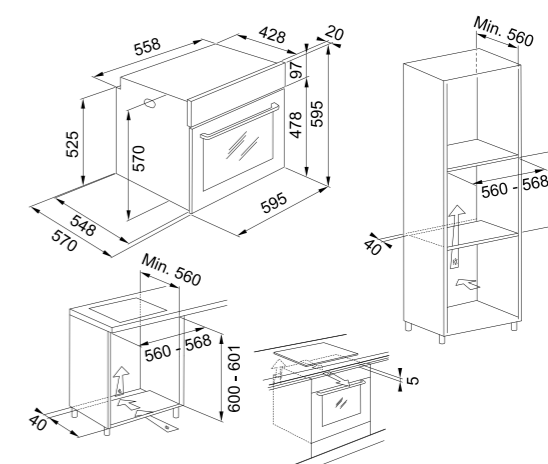
MARIS

2
YEARS
GUARANTEE

Maris
FMA 86 H X S
116.0606.097
£695



Type: **Multifunction**
Energy efficiency class: **A**
Maximum cavity capacity: **71 lt**
Control panel: **Digital white display with protruding knobs**
Number of functions: **8**
Door: **Smooth2close**
Inner door: **Full glass**
Equipment: **2 wire shelves (sliding shelves optional), 1 baking tray, 1 deep tray**
Notes: **Steam cleaning system**



Maris Combi Oven



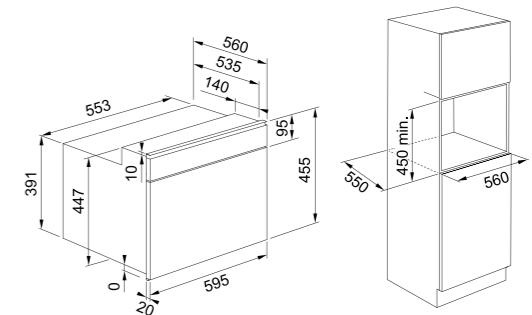
MARIS

2
YEARS
GUARANTEE

Maris
FMA 45 MW XS
131.0606.104
£1150



Type: **Multifunction**
Maximum cavity capacity: **40 lt**
Control panel: **LED white display with push-pull knobs**
Number of functions: **7**
Door: **Smooth2close**
Inner door: **Full glass**
Equipment: **360° Glass turntable, 1 wire shelf, 1 baking tray, 1 coverplate**



Mythos Coffee Machines

Coffee time!



Let the aroma of freshly ground coffee beans help you start the morning right. With the Franke Mythos Coffee Machines, craft your coffee exactly as you like, always to a barista's standard. Whether that's a quick espresso or a silky cappuccino, the choice is yours. In a hurry? Worry not, the self-cleaning function will look after clean-up. The machines' pure and minimalist design, which comes in both sleek stainless steel and black stainless steel, also integrates seamlessly with our exclusive Mythos range, making your kitchen complete.



Stainless Steel

A statement of taste

Perfect built-in installation and unique stainless-steel frame and black finish or total black to match the Mythos product line in gallery installation

A coffee that is truly yours

- Up to 2 cups to be placed under the spouts at the same time
- Adjustable coffee quantity: 5 sizes (espresso, small cup, medium cup, large cup, mug)
- Settable coffee taste (extra mild, mild, standard, strong or extra-strong)
- Adjustable coffee temperature (low, medium and high)
- Adjustable density of cappuccino foam

An energy booster and saver

Energy saving through the programmable automatic shutdown

- Auto-start and shutdown function to schedule the time the machine will work or switch off automatically

It looks after you and itself

Easy to clean, thanks to automatic system rinsing and descaling functions

- Automatic rinsing of the system: every time the product is switched on or off
- Automatic descaling

Mythos Coffee Machines



NEW



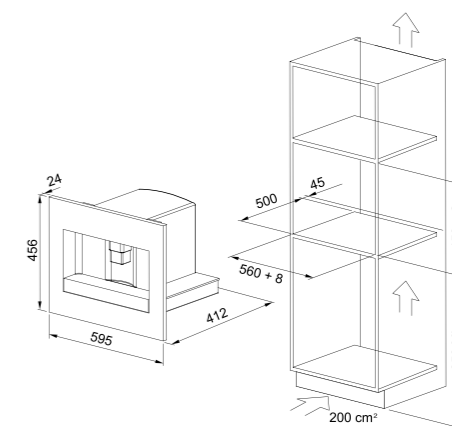
Stainless Steel

Mythos Coffee Machine
FMY 45 CM XS
 131.0627.473
£2350

2 YEARS
 GUARANTEE

Accessory: Descaler Kit
 112.0639.719
£XX

Features:
 Electronic Touch, White display
 Capacity of Water Tank: 1.8 Litres
 Capacity of Coffee Beans drawer: 200g
 N° of cup: 1 or 2



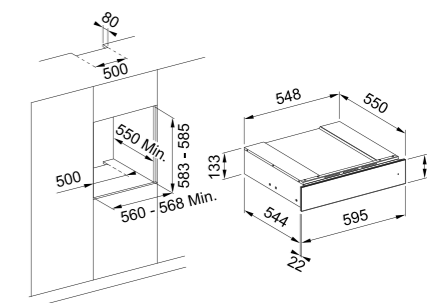
Accessory Drawer

NEW



Mythos Coffee Machine Accessory Drawer
FMY CMD XS
 131.0691.007
£684

2 YEARS
 GUARANTEE



Coffee Accessories Kit



Mythos Wine Cooler



The ideal storing environment for your wine collection which integrates into the beauty of your own kitchen. The optimal conditions usually exclusively guaranteed by an underground cellar are now akin of those our Mythos Wine Cooler can provide, with the noticeable advantage of offering you the chance to have up to 24 of your favourite bottles always at hand.

A Wine Cooler like no other

The Mythos Wine Cooler temperature can be set from 4° to 18°, ensuring your wine collection is maintained to perfection. Keeping the characteristics of your wine intact, the Anti-UV glass filters enough light through to ensure optimal preservation. The electronic display allows the temperature to be visible at all times and the LED light perfectly highlights every detail, while the 3 sliding premium oak built-in shelves bring elegance to your wine collection.



NEW

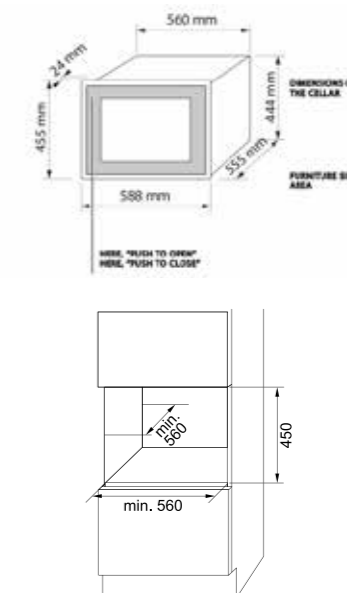


Stainless Steel

Mythos Wine Cooler
FMY 24 WCR XS UK
 131.0690.765
£2300

2
 YEARS
 GUARANTEE

Features:
 24 bottle capacity
 Push-Push lateral door opening
 3 sliding shelves
 Shelves in oak wood
 Temperature range: 4° - 18°
 Internal electronic display
 LED light
 Anti-UV glass



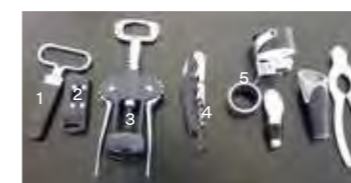
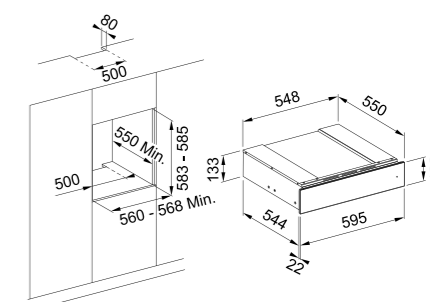
Accessory Drawer

NEW



Mythos Wine Cooler Accessory Drawer
FMY 14 WCRD X
 131.0691.006
£684

2
 YEARS
 GUARANTEE



Wine Accessories Kit

1. Blade corkscrew
2. Foil cutter
3. Wing corkscrew
4. Sommelier corkscrew
5. Wine drip ring
6. Champagne bottle cap
7. Wine pourer cap
8. Wine aerator pourer
9. Champagne opener





Gas Hobs

291
293

Mythos Gas Hobs
Maris Gas on Metal

Mythos Gas Hobs



MYTHOS

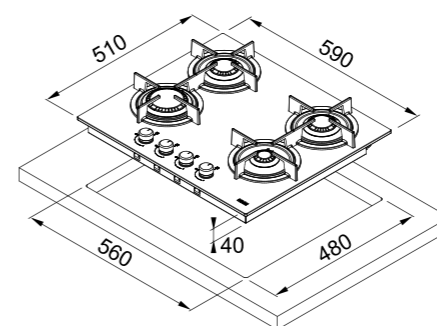
2
YEARS
GUARANTEE



2
YEARS
GUARANTEE

FHCR 604 4G HE BK C
106.0374.280
£650

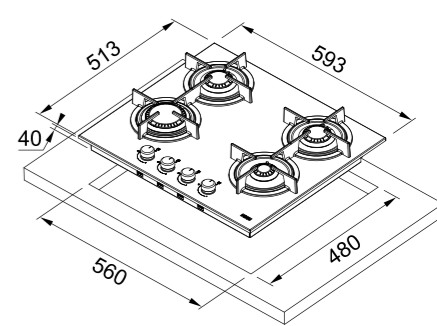
Type: Gas on Glass
Width 60cm
Burner/Heating zones 4
Cast iron grilles
Integrated electronic ignition
Safety valve



2
YEARS
GUARANTEE

FHCR 604 4G HE XA C
106.0496.075
£1000

Type: Gas on Metal
Width 60cm
Burner/Heating zones 4
Cast iron grilles
Integrated electronic ignition
Safety valve

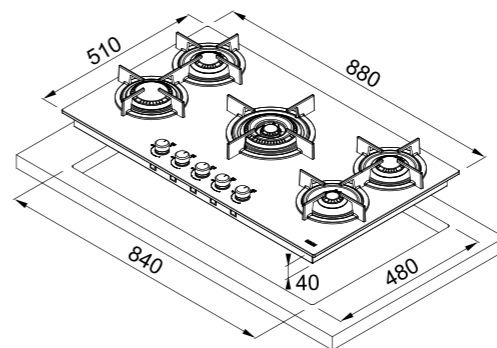


MYTHOS

2
YEARS
GUARANTEE

FHCR 905 4G TC HE BK C
106.0496.077
£850

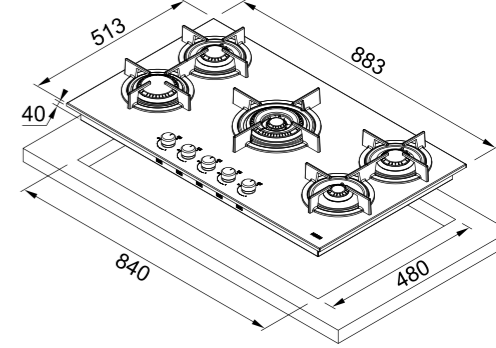
Type: Gas on Glass
Width 88cm
Burner/Heating zones 5
Cast iron grilles
Dual crown
Integrated electronic ignition
Safety valve



2
YEARS
GUARANTEE

FHCR 905 4G HE XA C
104.0374.288
£1285

Type: Gas on Metal
Width 88cm
Burner/Heating zones 5
Cast iron grilles
Dual crown
Integrated electronic ignition
Safety valve



Maris Gas on Metal



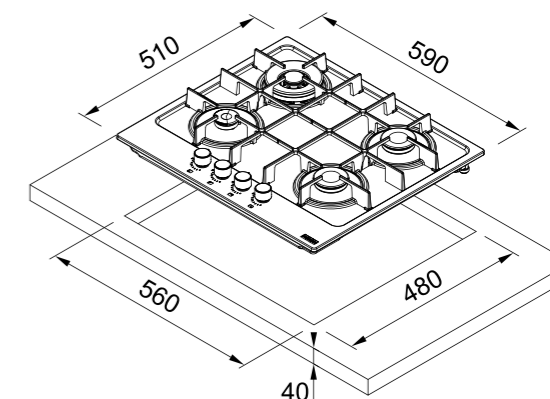
MARIS



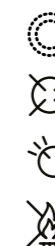
2
YEARS
GUARANTEE

FHMA 604 DC MB C
106.0670.112
£615

Type: Gas on Metal
Width 60cm
Burner/Heating zones 4
Cast iron grilles
Dual crown
Integrated electronic ignition
Safety valve



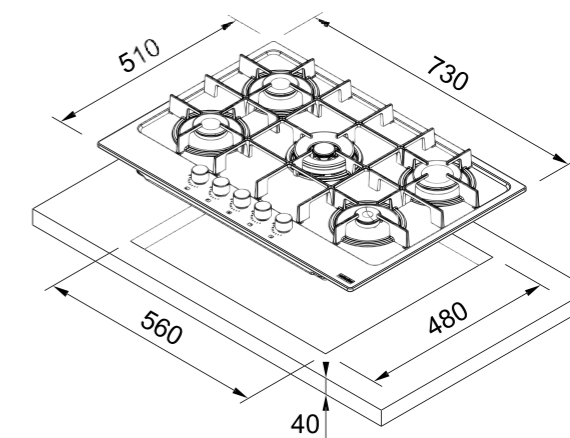
MARIS

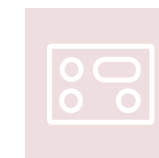


2
YEARS
GUARANTEE

FHMA 755 4G DC MB C
106.0670.113
£715

Type: Gas on Metal
Width 73cm
Burner/Heating zones 5
Cast iron grilles
Dual crown
Integrated electronic ignition
Safety valve





Induction Hobs

297
299

Mythos induction
Maris induction

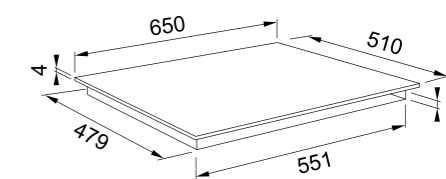
Mythos Induction



MYTHOS

2
YEARS
GUARANTEE

FMY 658 I FP
108.0613.587
£1215

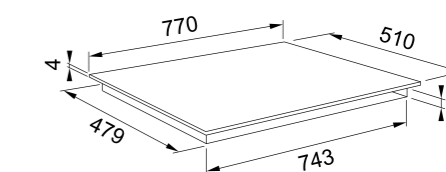
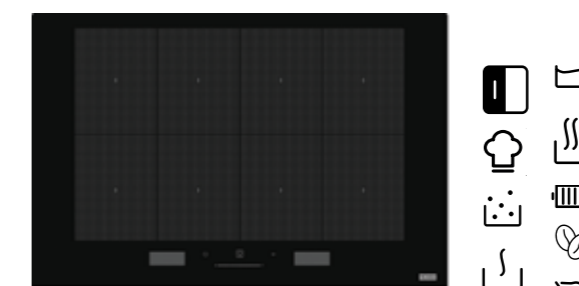


Type: **Electric**
Technology: **Induction**
Controls: **LCD Touch control**
Number of heating zones: **8-Flexi full**
User interface: **Text assisted white display**
Number of sliders: **1**
Functions: **19**
Cook assist functions: **63**
FlexPro zone: **Yes**
Power level: **18+ booster**
Number of boosters: **8**

MYTHOS

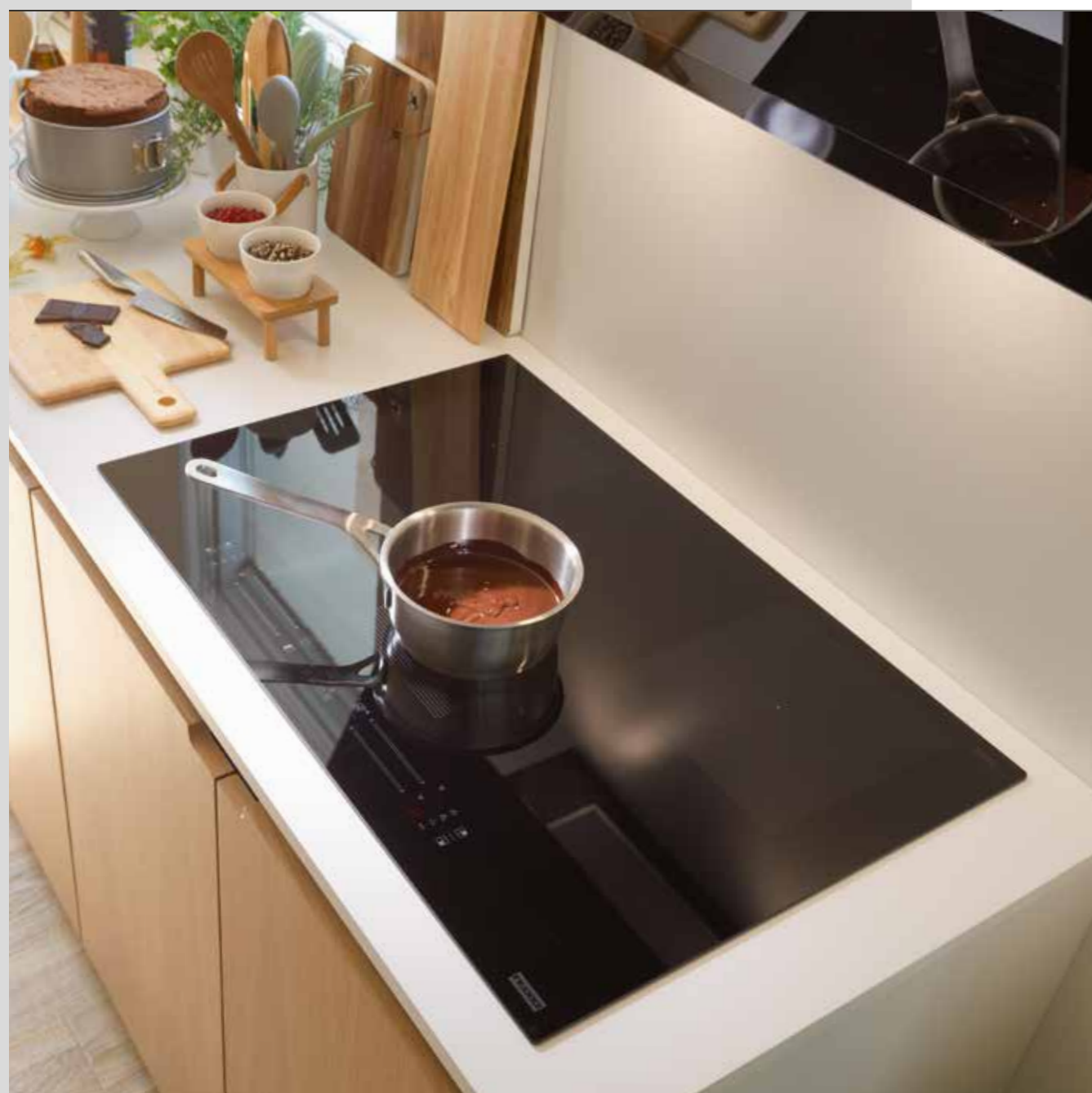
2
YEARS
GUARANTEE

FMA 808 I FP
108.0613.588
£1315



Type: **Electric**
Technology: **Induction**
Controls: **LCD Touch control**
Number of heating zones: **8-Flexi full**
User interface: **Text assisted white display**
Number of sliders: **1**
Functions: **19**
Cook assist functions: **63**
FlexPro zone: **Yes**
Power level: **18+ booster**
Number of boosters: **8**

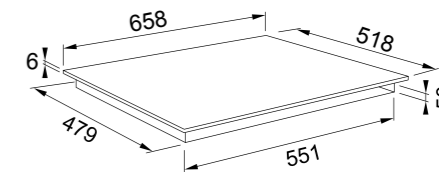
Maris Induction



MARIS

2
YEARS
GUARANTEE

FMA 654 I F BK
108.0606.111
£560

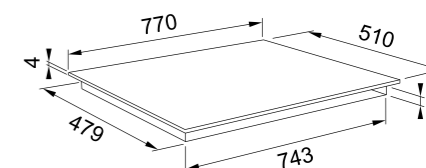
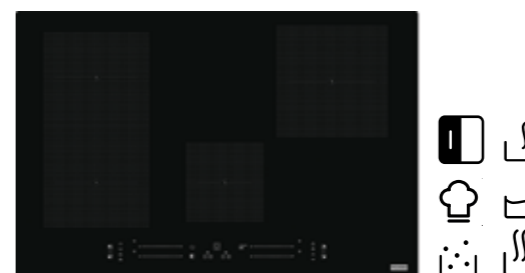


Type: **Electric**
Technology: **Induction**
User Interface: **4 sliding touch control**
Number of cooking zones: **4**
User interface: **Red digital display**
Number of sliders: **4**
Power level: **18+ booster**
Child lock: **Yes**

MARIS

2
YEARS
GUARANTEE

FMA 804 I F BK
108.0606.112
£610



Type: **Electric**
Technology: **Induction**
User Interface: **7 Segments, direct touch**
Number of cooking zones: **4**
User interface: **Red digital display**
Number of sliders: **4**
Power level: **18+ booster**
Child lock: **Yes**



Waste Management Systems

303
305
307

Additional Accessories
Waste Sorter Bins
Waste Disposal Units



Additional Accessories



Franke innovation doesn't end with sinks and taps.

We strive to make your life easier in every aspect of your kitchen with a range of convenient and practical kitchen solutions. From dealing with unsightly household waste in a hygienic manner to effortlessly sorting waste for recycling, they are designed to save time and to incorporate kitchen essentials discreetly into kitchen units, so that you can maintain a clean, uncluttered kitchen.



Tap Brace

Connects the tap to the worktop for extra support. Variable collar fits on any model of tap. Can be used on any stainless steel inset sink.

FUN 133.0026.896
£18



Waste Bin

Inset stainless steel system with a 12 litre polyethylene container. Sits flush with worktop with cover to keep odours sealed inside.

FUN 134.0035.042
£338



Waste Disposal Unit Extended Flange

An extended flange is available from service agents at extra cost if required when fitting to ceramic sinks.

Please note:

Overflow connector required when fitting WDU in main bowl.

FUN 112.0489.809
£48

Note:

WDU Chrome Airswitch Button supplied with all Continuous Feed Waste Disposal models. Decor Steel and Matt Black Airswitch Button now available as a spare from www.central-servicesuk.co.uk

FUN 133.0573.849
£29

Carbon Filters for Hoods

Carbon Filters increase filtration efficiency and are required on all recycling hood units. Used to catch unwanted odours, they are supplied in either circular or square format, depending on the model of your hood. Please check models for correct configuration.

FILTER	FUN NUMBER	RRP (inc. VAT)
A	112.0339.360	£108
B	112.0016.755	£26
C	112.0543.478	£258
D	112.0016.756	£26
E	112.0512.466	£30
F	112.0547.940	£325
G	112.0548.447	£172
H	112.0548.448	£221
I	112.0262.703	£235
J	112.0542.064	£56
K	112.0470.631	£50
L	112.0067.942	£26
M	112.0017.979	£26
N	112.0684.123	£41

PRODUCT	FUN NUMBER	RRP (inc. VAT)
Optional Remote Control	112.0174.991	£59

Waste Sorter Bins



Fitting neatly into most standard cabinets, Franke Waste Sorters feature separate plastic containers to sort domestic waste into different categories such as food, cans, plastic and paper. A lid closes over the bins to contain any odours. Franke Waste Sorters are the convenient alternative to the conventional waste bin.

Standard door systems

The Franke 300 Series Sorter Systems are a useful addition to any kitchen with standard doors, fitting neatly into 450mm and 600mm kitchen base units. Each bin has a handle that can also be used to secure waste bags. The roll-out carrier is fully waterproof, simple to dismantle and easy to clean.

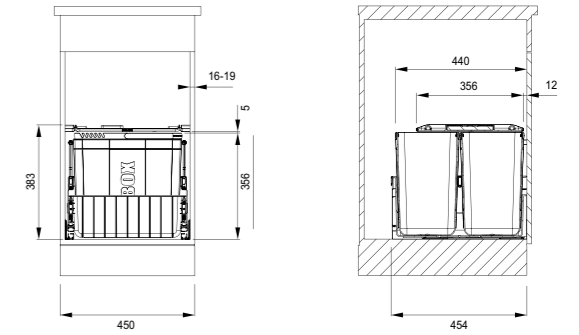
MARIS



Sorter 300-45 Duo
Minimum Cabinet Width 450mm
Bin 2x22L

FUN 121.0150.144
£359

2
YEARS
GUARANTEE



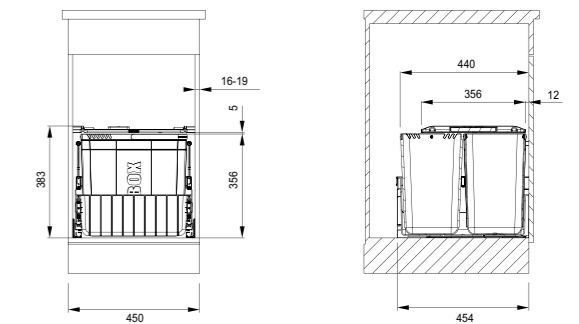
MARIS



Sorter 300-45 Trio
Minimum Cabinet Width 450mm
Bin 1x22L 2x10L

FUN 121.0150.145
£374

2
YEARS
GUARANTEE



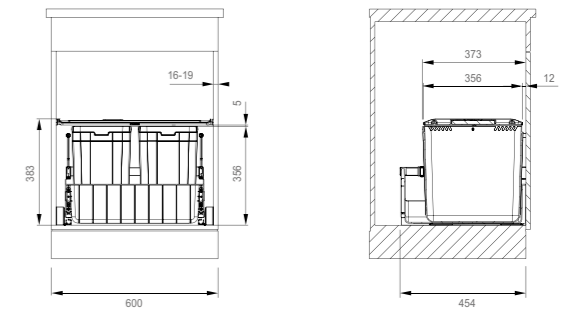
MARIS



Sorter 300-60 Duo
Minimum Cabinet Width 600mm
Bin 2x22L

FUN 121.0150.143
£374

2
YEARS
GUARANTEE



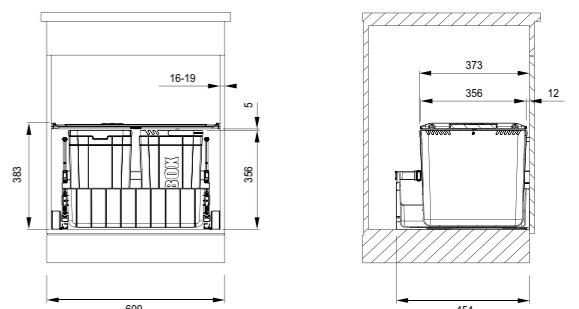
MARIS



Sorter 300-45 Trio
Minimum Cabinet Width 600mm
Bin 1x22L 2x10L

FUN 121.0150.146
£388

2
YEARS
GUARANTEE



Waste Disposal Units



A choice of five waste disposal units designed to free the kitchen of unsightly and unhygienic organic household waste. Each unit is the essential add-on for ensuring that all Franke appliances and work surfaces remain looking immaculate. Thanks to a permanent magnet motor, Franke Turbo Elite Waste Disposal Units reach high speed in a split second, producing more torque per kilo than any other of its type. Whilst running water through the unit, food waste is instantly liquefied into fine particles that are easily flushed through the pipework system.

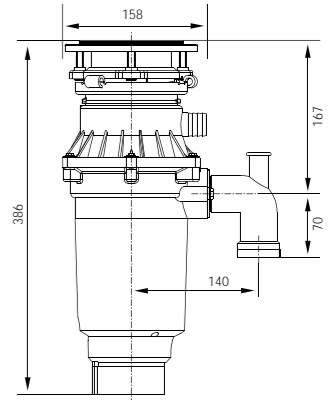
NB. Ensure WDU dimensions can be accommodated within the specified cabinet width.

MARIS
10
YEARS
WARRANTY



Waste Disposal Unit Turbo Elite TE-75S
Feed Continuous
Motor Horsepower 0.75 HP
Motor Spped RPM 2700
Motor Type High Torque Dual Magnetic
Air Switch Integral
Mounting System Professional 3-bolt

FUN 134.0483.704
£398

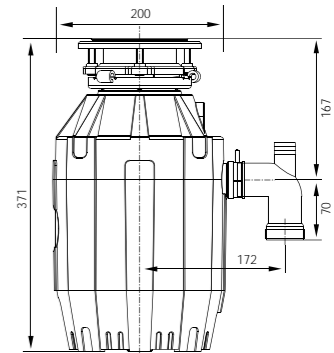


MARIS
10
YEARS
WARRANTY



Waste Disposal Unit Turbo Elite TE-75
Feed Continuous
Motor Horsepower 0.75 HP
Motor Spped RPM 2700
Motor Type High Torque Dual Magnetic
Air Switch Integral
Mounting System Professional 3-bolt

FUN 134.0473.236
£445

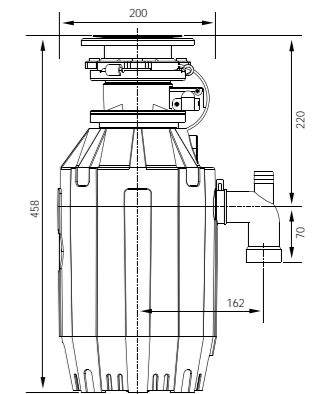


MARIS
10
YEARS
WARRANTY



Waste Disposal Unit Turbo Elite TE-125B
Feed Batch
Motor Horsepower 1.25 HP
Motor Spped RPM 2800
Motor Type High Torque Dual Magnetic
Air Switch N/A
Mounting System Professional 3-bolt

FUN 134.0473.238
£496

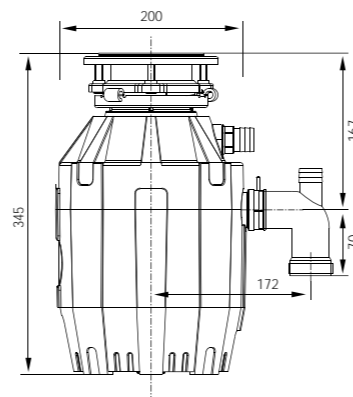


MARIS
10
YEARS
WARRANTY



Waste Disposal Unit Turbo Elite TE-50
Feed Continuous
Motor Horsepower 0.5 HP
Motor Spped RPM 2600
Motor Type High Torque Dual Magnetic
Air Switch Integral
Mounting System Professional 3-bolt

FUN 134.0473.235
£354

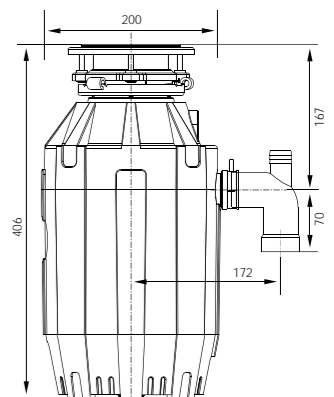


MARIS
10
YEARS
WARRANTY



Waste Disposal Unit Turbo Elite TE-125
Feed Continuous
Motor Horsepower 1.25 HP
Motor Spped RPM 2800
Motor Type High Torque Dual Magnetic
Air Switch Integral
Mounting System Professional 3-bolt

FUN 134.0473.237
£552



All prices are inclusive of VAT



Kitchen Solutions

311
315

All-In
Andy Chef



It all comes together with ALL IN

The all-in solution for chopping, draining, washing and store your preparations. Transforming any sink with a bowl dimension of up to 54 cm into a stylish and playful workstation, All-In is the flexible food preparation system designed to bring more flow to your kitchen and life



Eight accessories, endless uses, fits any sink*



*Up to 540mm



Prepare

Using the bamboo board, telescopic bridge, strainer and collector bowls, All-In can help you:

- Chop vegetables and other ingredients
- Collect the cut food
- Collect peeling and deal with waste
- Store prepped ingredients in the fridge



Cook

The bridge, strainer bowls and foldable pad are really useful at the cooking stage and you can:

- Rest pots and pans on the bridge while filling them from the tap
- Use the strainer to drain pasta, or other ingredients
- Stand hot pans and dishes on the foldable pad to protect work surfaces



Clean

When it's time to wash up, the bridge, strainer bowls and foldable pad can also help you to:

- Drain glasses and dishes
- Drain cutlery and cooking utensils



Tidy

Once the washing up is finished, All-In can still help you to tidy everything away, whether it's to:

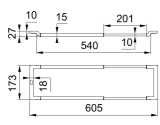
- Store cleaning items in the sink
- Keep all accessories together in the storage box
- Put everything away neatly in your kitchen cabinets

All-In is compatible with the following sinks:

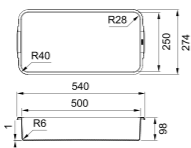
Antea AZG Argos, AGX Ariane, ARX Basis BFG, Galassia GAX, Largo LAX
Maris MRG, Maris MRX, Neptune NEX, Studio STX and Urban UBG



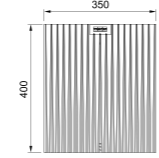
Inox telescopic bridge



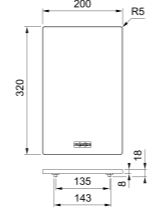
Storage box



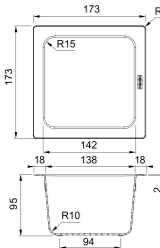
Foldable silicone pad



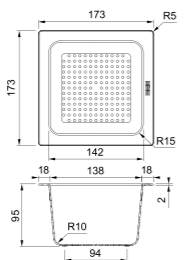
Bamboo chopping board



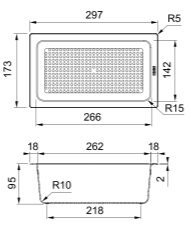
Small collector bowl



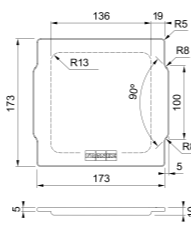
Small strainer bowl



Large strainer bowl



Bamboo bowl lid

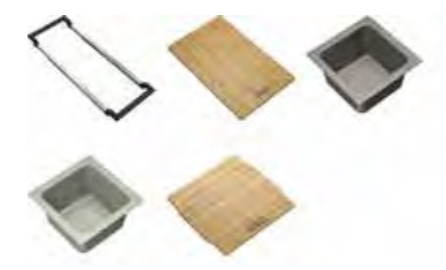


All-In Set 1

112.0655.481

- Inox telescopic bridge
- Bamboo chopping board
- Large strainer bowl

£97



All-In Set 2

112.0655.482

- Inox telescopic bridge
- Bamboo chopping board
- Small strainer bowl
- Small collector bowl
- Bamboo bowl lid

£113

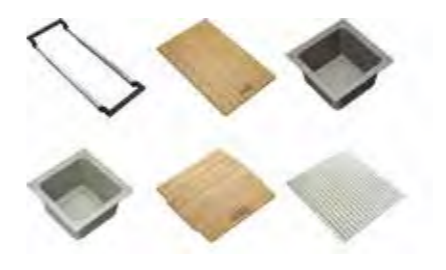


All-In Set 3

112.0655.483

- Inox telescopic bridge
- Bamboo chopping board
- Large strainer bowl
- Foldable silicone pad

£150

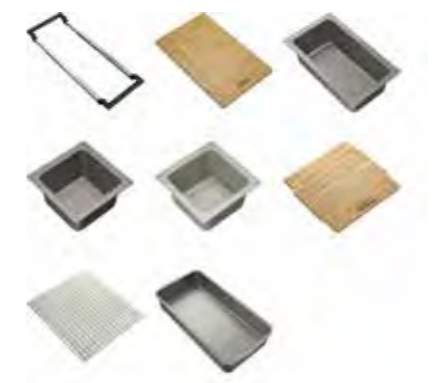


All-In Set 4

112.0655.488

- Inox telescopic bridge
- Bamboo chopping board
- Small strainer bowl
- Small collector bowl
- Bamboo bowl lid
- Foldable silicone pad

£161



All-In Set 5

112.0655.489

- Inox telescopic bridge
- Bamboo chopping board
- Large strainer bowl
- Small strainer bowl
- Small collector bowl
- Bamboo bowl lid
- Foldable silicone pad
- Storage box

£205



Andy Chef for Franke Box



MYTHOS



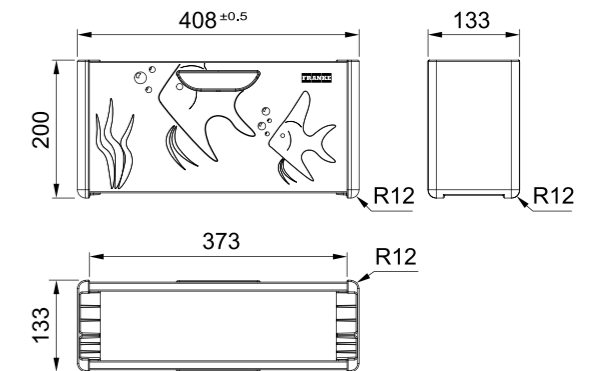
Dimensions **408x200x133mm**
 Elements:
Accessory holder in stainless steel
Walnut Wooden Chopping Board
Stainless Steel Strainer Bowl
Multi-functional Chef's Knife
 Note: Compatible with all Franke Box sinks

1
YEAR
GUARANTEE

NEW

Stainless
Steel

Andy Chef
 112.0619.946
 £316



Accessories included



Stainless Steel
Cover



Wood Chopping
Board



Stainless Steel
Bowl



Multifunctional
Knife

The ideal solution to have all your accessories at your fingertips. Add the Andy Chef accessory set to your Franke Box sink and transform your sink into a perfect multifunctional area!





Franke UK Limited
West Park, MIOC
Styal Road
Manchester
M22 5WB
Phone +44 (0)161 436 6280
Fax +44 (0)161 436 2180
ks-info.gb@franke.com
www.franke.com

FUN: 994.0698.182
MP/03/23/12