

PRODUCT DATASHEET

Nerola Close-Coupled Toilet set

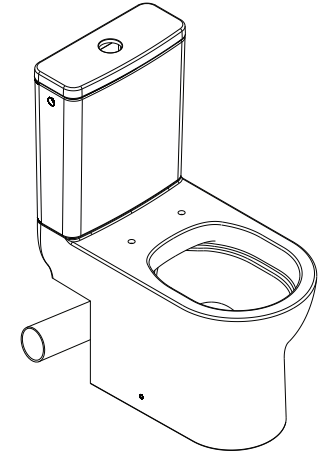
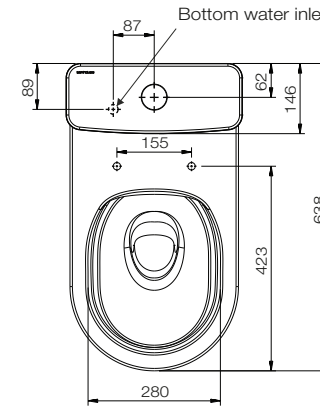
tissino

Designed to Inspire
Made to Experience



A sleek yet higher close-coupled toilet set, with a side waste connection, available with a range of coloured fittings.

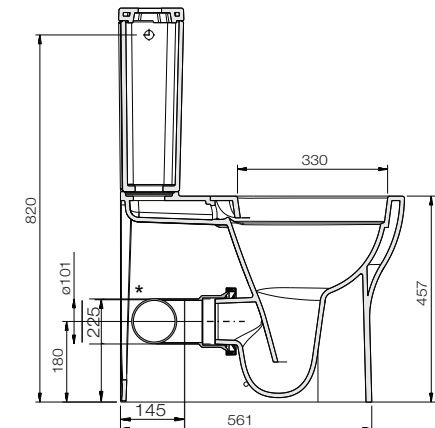
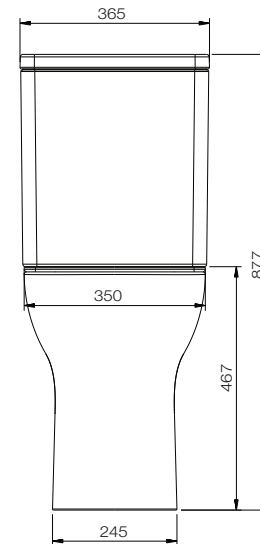
TECHNICAL DRAWING



PRODUCT DETAILS

Finishes	Pan	Gloss white ceramic
	Cistern	Gloss white ceramic
	Seat hinges & Flush button	Chrome, Matt Black, Brushed Brass
Dimensions	Height	877 mm
	Width	365 mm
	Depth	638 mm
Material	Glazed ceramic	
Water connection	1/2" BSP male	
Waste connection	Ø 100 mm	Left-hand cut out
Weight	38 kg	
Warranty	Lifetime	
Codes		
Wrapover seat	Chrome fittings	TNE-215-CP
	Matt Black fittings	TNE-215-MN
	Brushed Brass fittings	TNE-215-BB
Slimline seat	Chrome fittings	TNE-315-CP
	Matt Black fittings	TNE-315-MN
	Brushed Brass fittings	TNE-315-BB

See separate datasheet for information on seat options



tissino

Lyncastle Road, Appleton Thorn, Warrington WA4 4SN

info@tissino.co.uk

+44 (0) 345 582 8000

tissino.co.uk



YOUR BATHROOM
MADE BEAUTIFUL

