

UK PRODUCT RANGE



THE CROWN
FOR YOUR
KITCHEN


REGINOX



CONTENTS

3.	DUTCH QUALITY FOR THE KITCHEN	44.	IB	80.	REGI-GRANITE
6.	PRODUCT INFORMATION	46.	DIPLOMAT	84.	REGI-CERAMIC
8.	PRODUCT RANGE OVERVIEW	49.	REGENT	90.	COMMERCIAL SINKS
18.	TEXAS	50.	INSET RANGE	96.	KITCHEN TAPS
20.	OHIO	54.	MIAMI	108.	BOILING WATER TAPS
24.	NEW YORK	58.	REGI-COLOR	110.	WORKTOPS
30.	NEW JERSEY	64.	NEW YORK JET BLACK	114.	WASTE DISPOSAL UNITS
32.	HOUSTON	70.	MULTA COLLECTION	116.	PANAMA
34.	KANSAS	72.	QUADRA COLLECTION	118.	ASPEN
36.	ONTARIO	74.	BEST COLLECTION	120.	ACCESSORIES
38.	STYLE	77.	EGO COLLECTION		
42.	COLORADO	78.	TEKNO COLLECTION		

DUTCH QUALITY FOR THE KITCHEN

Ever since 1976, Reginox has led the way in quality and innovation in sinks and worktops for the kitchen, project and housebuilder sectors. We design, develop and produce these products in-house, in numerous styles and configurations. We also supply matching taps and accessories.

With our constantly evolving range, we are a major player in the national and international kitchen and project markets. One reason for this is that we always pay close attention to the needs and trends of consumers and kitchen professionals. We take seriously the need to choose high-quality materials and production techniques, and going the extra mile to fulfill our customers wishes. Sustainability is also one of our top priorities, through energy efficiency and by choosing recyclable materials and packaging wherever possible.



REGINOX STANDS FOR HIGH
QUALITY AND INNOVATIVE
SINKS AND WORKTOPS



DUTCH MANUFACTURING

Reginox is located in Rijssen in the Eastern part of the Netherlands. It is where we develop and produce all our stainless-steel sinks.

RELIABLE

THE CROWN FOR YOUR **KITCHEN**

INNOVATIVE



RESPONSIBLE



ETHICAL



DESIGN

Reginox understands the importance of design and knows how to make the most beautiful products from stainless steel. We are always looking at new ways to improve our designs.

PRODUCT INFORMATION

Reginox sinks are straightforward and simple to install ensuring a sleek, modern finish no matter which installation method you choose.

INTEGRATED SINKS



Our integrated sinks can be installed in 3 ways: integrated, semi-integrated (flush with the worktop) or undermount. All of our integrated sinks look stunning no matter the choice of installation, in any worktop with the exception of laminate.

INSET SINKS



Our inset sinks can be installed quickly and easily, as effective additions to any kitchen. To install these the fitter will turn the sink upside down, draw around the complete sink edge and cut 10 mm in from this template. All our sinks are provided with necessary clips and must be sealed with silicone sealant for a watertight finish.



CABINET SIZE

Due to specific cabinet sizes some sinks may not be suitable for your kitchen. At Reginox we supply a wide range of sinks, each design in various sizes to fit every cabinet size, these vary from 40 cm to 100 cm. The cabinet size is the available space underneath the worktop required for the bowl and other fixings only.

TECHNICAL INFORMATION

At Reginox we supply technical drawings for all our sinks and clear fitting instructions.

MAINTENANCE TIPS

- Clean the sinks with hot soapy water for everyday maintenance.
- Regular use of Inox Care to maintain your sink or stainless-steel worktop. Rub this in using a microfiber cloth and buff out using a new, clean cloth once a week.
- No abrasive cleaners or sponges should be used on the sinks to avoid any visible stains, scratches or marks.

STOCK AVAILABILITY

Some lines contained in this brochure have limited availability (marked with *), please call us for more accurate information.

LIABILITY

Reginox is not liable for damage during installation or due to incorrect maintenance. A copy of our T&Cs are available upon request.

INTEGRATED RANGE

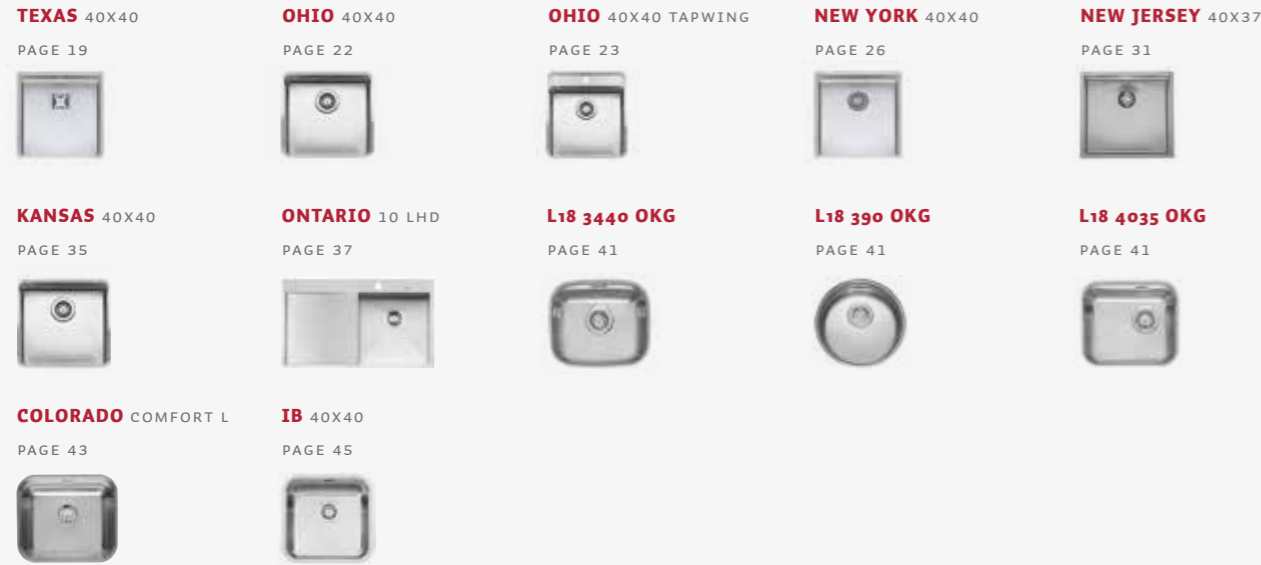
400 MM



600 MM



450 MM



800 MM



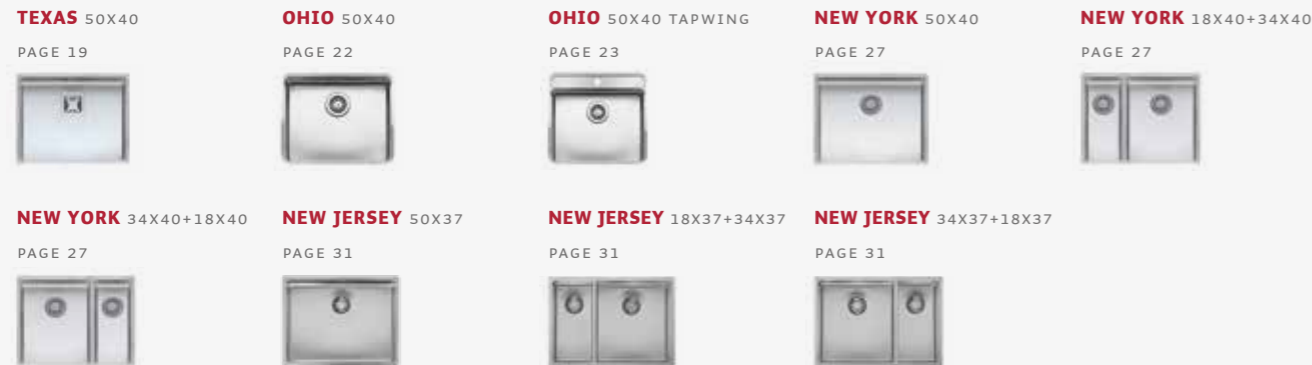
900 MM



500 MM



600 MM



INSET RANGE

450 MM



500 MM



600 MM



800 MM

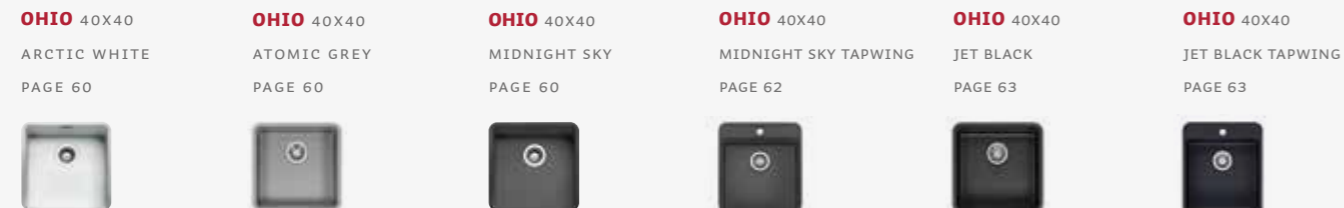


COLOURED RANGE

400 MM



450 MM

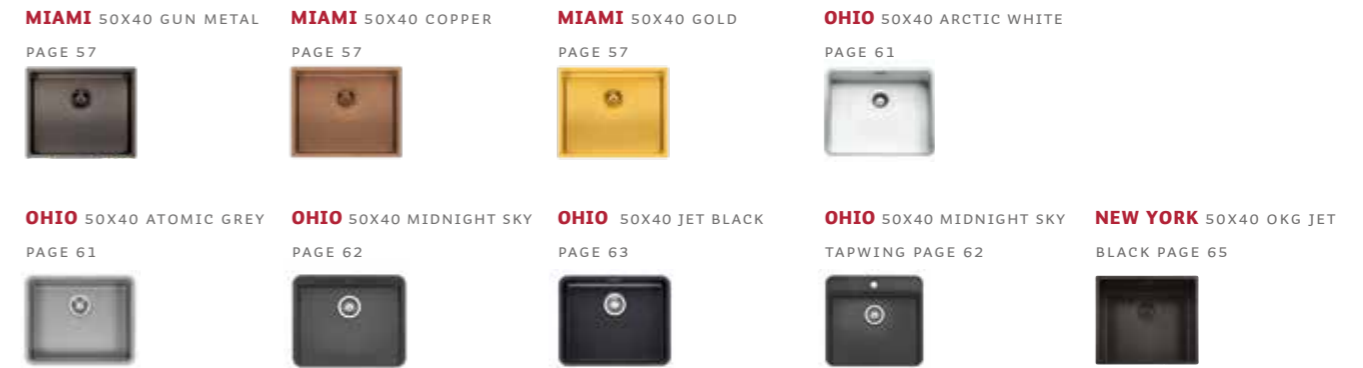


COLOURED RANGE

450 MM



600 MM

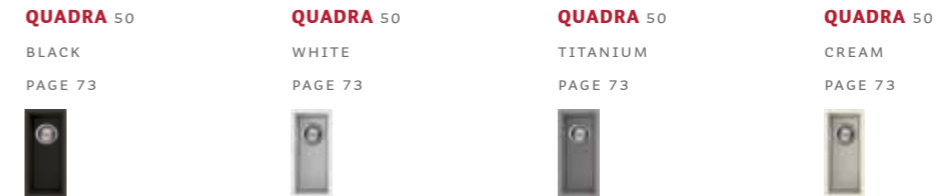


900 MM

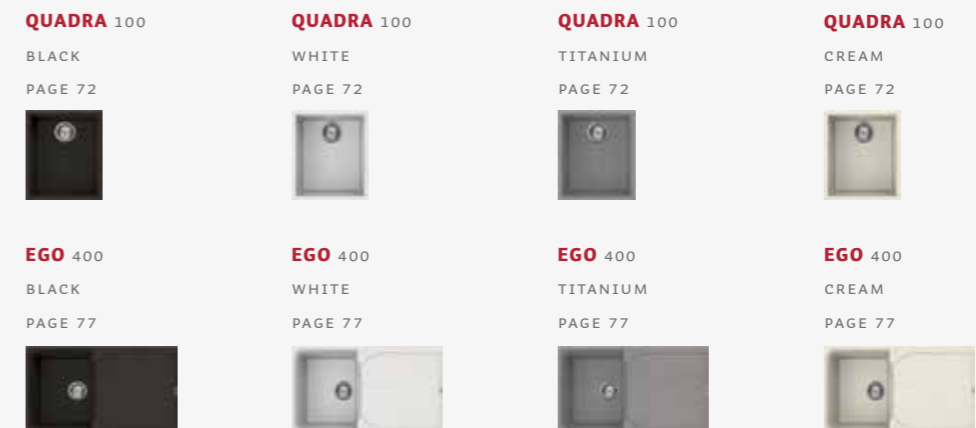


GRANITE SINKS

300 MM



450 MM



GRANITE SINKS

500 MM

MULTA 102
BLACK
PAGE 70



MULTA 102
WHITE
PAGE 70



MULTA 102
LIGHT GREY
PAGE 70



AMSTERDAM 40
PURE WHITE
PAGE 82



AMSTERDAM 40
GREY SILVERY
PAGE 82



AMSTERDAM 40
BLACK SILVERY
PAGE 82



600 MM

MULTA 105
BLACK
PAGE 70



MULTA 105
WHITE
PAGE 70



MULTA 105
LIGHT GREY
PAGE 70



QUADRA 105
BLACK
PAGE 72



QUADRA 105
WHITE
PAGE 72



QUADRA 105
TITANIUM
PAGE 72



QUADRA 105
CREAM
PAGE 72



QUADRA 150
BLACK
PAGE 73



QUADRA 150
WHITE
PAGE 73



QUADRA 150
TITANIUM
PAGE 73



QUADRA 150
TAPWING BLACK
PAGE 73



QUADRA 150
TAPWING WHITE
PAGE 73



QUADRA 150
TAPWING TITANIUM
PAGE 73



BEST 475
BLACK
PAGE 75



BEST 475
WHITE
PAGE 75



BEST 475
TITANIUM
PAGE 75

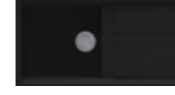


BEST 475
CREAM
PAGE 75



600 MM

BEST 480
BLACK
PAGE 75



BEST 480
WHITE
PAGE 75



BEST 480
TITANIUM
PAGE 75



BEST 480
CREAM
PAGE 75



EGO 475
BLACK
PAGE 77



EGO 475
WHITE
PAGE 77



EGO 475
TITANIUM
PAGE 77



EGO 475
CREAM
PAGE 77



EGO 480
BLACK
PAGE 77



EGO 480
WHITE
PAGE 77



EGO 480
TITANIUM
PAGE 77



EGO 480
CREAM
PAGE 77



TEKNO 475
ANTRACITE
PAGE 79



TEKNO 475
WHITE
PAGE 79



TEKNO 480
ANTRACITE
PAGE 79



TEKNO 480
WHITE
PAGE 79



800 MM

MULTA 130
BLACK
PAGE 70



MULTA 130
WHITE
PAGE 70



MULTA 130
LIGHT GREY
PAGE 70



QUADRA 130
BLACK
PAGE 73



QUADRA 130
WHITE
PAGE 73



QUADRA 130
TITANIUM
PAGE 73



QUADRA 130
CREAM
PAGE 73



900 MM

BEST 450
BLACK
PAGE 75



BEST 450
WHITE
PAGE 75



BEST 450
TITANIUM
PAGE 75



BEST 450
CREAM
PAGE 75



GRANITE SINKS

AMSTERDAM 10
PURE WHITE
PAGE 82

AMSTERDAM 10
GREY SILVERY
PAGE 82

AMSTERDAM 10
BLACK SILVERY
PAGE 82

AMSTERDAM 50
PURE WHITE
PAGE 83

AMSTERDAM 50
GREY SILVERY
PAGE 83

AMSTERDAM 50
BLACK SILVERY
PAGE 83

HARLEM 10
PURE WHITE
PAGE 83

HARLEM 10
GREY SILVERY
PAGE 83

HARLEM 10
BLACK SILVERY
PAGE 83

HARLEM 10
CAFFE SILVERY
PAGE 83

HARLEM 15
PURE WHITE
PAGE 83

HARLEM 15
GREY SILVERY
PAGE 83

HARLEM 15
BLACK SILVERY
PAGE 83

HARLEM 15
CAFFE SILVERY
PAGE 83

AMSTERDAM 15
PURE WHITE
PAGE 82

AMSTERDAM 15
GREY SILVERY
PAGE 82

AMSTERDAM 15
BLACK SILVERY
PAGE 82

CERAMIC SINKS

RL301 CW
PAGE 85

RL304 CW
PAGE 85

RL401 CB
PAGE 86

RL404 CB
PAGE 86

RL504 CW
PAGE 87

BELFAST
PAGE 87

MATARO
PAGE 87

TUSCANY
PAGE 88

RL501 CW
PAGE 86

CERAMIC DRAINER
540 X 465 MM PAGE 88

DUBLIN
PAGE 88

COMMERCIAL SINKS

RIO
PAGE 90

RIO SP H NOF
PAGE 91

CARIBBEAN
PAGE 91

CARIBBEAN SP H NOF
PAGE 91

AMAZONE
PAGE 91

AMAZONE SP H NOF
PAGE 92

R18 2330 OSK
PAGE 93

R18 3530 OSK
PAGE 93

R18 3530 SP H NOF
PAGE 94

ATLANTIS SP H NOF
PAGE 92

ATLANTIS
PAGE 92

BETA 10 BAP
PAGE 92

KANSAS 40X40 SP H NOF
PAGE 93

L18 3440 KG H NOF
PAGE 94

L18 4035 KG H NOF
PAGE 94

R18 370 OSP
PAGE 94

R18 370 SP H NOF
PAGE 95

L18 390 KG H NOF
PAGE 95

MOSCOW
PAGE 95

L18 370 OKG
PAGE 95

BETA 20 BAP
PAGE 93

KITCHEN TAPS

ADOUR CH
PAGE 97



ALPINA BN MID SKY
PAGE 97



ALPINA CB
PAGE 97



ALPINA CH
PAGE 97



ALTUS CH
PAGE 97



AMUR BN
PAGE 98



AMUR CB
PAGE 98



AMUR CH
PAGE 98



ASTORIA BN
PAGE 98



AURORA CH
PAGE 98



BROOKLYN CH
PAGE 99



CHIANA CH
PAGE 99



DANIA CH
PAGE 99



ELBE BN
PAGE 99



ELBE CH
PAGE 99



GENESIS BH
PAGE 100



GENESIS BN
PAGE 100



GENESIS CB
PAGE 100



GENESIS CH
PAGE 100



GENESIS WH
PAGE 100



HUDSON BN
PAGE 101



HUDSON CB
PAGE 101



HUDSON CH
PAGE 101



INDUS CH
PAGE 101



MARTA CH
PAGE 101



MESA CH
PAGE 102



MOJAVE CH
PAGE 102



NARVA CH
PAGE 102



NERA MB
PAGE 102



PIQUA CH
PAGE 102



SALINA BN
PAGE 103



SALINA CH
PAGE 103



SALINA COPPER
PAGE 103



SALINA GOLD
PAGE 103



SALINA GUN METAL
PAGE 103



KITCHEN TAPS

SOFIA CH
PAGE 104



SONORAN CB
PAGE 104



TARAVO BN
PAGE 104



TARAVO CH
PAGE 104



TARAVO COPPER
PAGE 104



TARAVO GOLD
PAGE 105



TARAVO GUN METAL
PAGE 105



THAMES CH
PAGE 105



UTICA CH
PAGE 105



VELINO CH
PAGE 105



BOILING WATER TAPS

AMANZI CH II
PAGE 107



AMANZI BN II
PAGE 107



AMANZI II COPPER
PAGE 108



AQUADZI
PAGE 108



TRIBEZI CH
PAGE 108



TRIBEZI BN
PAGE 108



TRIBEZI MATT BLACK
PAGE 108



VECHI II
PAGE 109



STAINLESS STEEL DRAINER ACCESSORY

ASPEN
PAGE 118





THE LUXURIOUS LOOK OF **TEXAS**

The Texas range is one of our most luxurious ranges. With a square strainer, subtle overflow and satin finish this range is perfect for any modern kitchen. The overall sleekness of the Texas range is accentuated by the small 10 mm radiuses both vertically and horizontally making this a hygienic, easy to clean sink. The sink is suitable for undermount, integrated and semi-integrated installation.

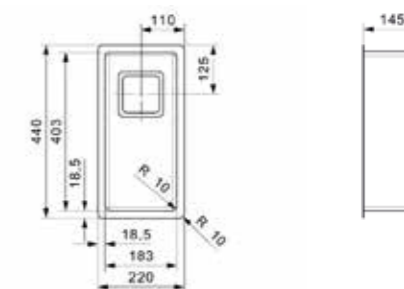


TEXAS*

18X40
Cabinet 400 mm
Depth 145 mm
Size bowl dimension 183 x 403 mm
Total dimensions 220 x 440 mm



Material finish: matt inox

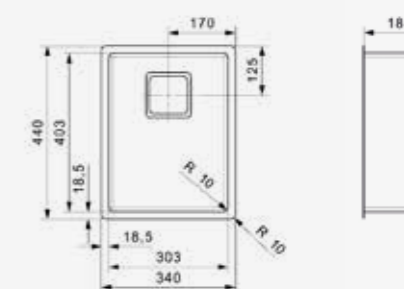


TEXAS

30X40
Cabinet 400 mm
Depth 180 mm
Size bowl dimension 303 x 403 mm
Total dimensions 340 x 440 mm



Material finish: matt inox

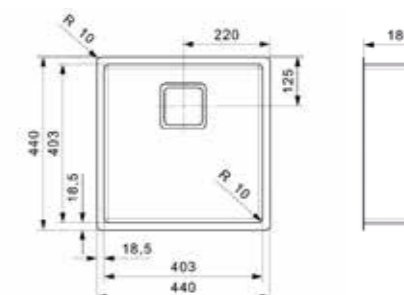


TEXAS

40X40
Cabinet 450 mm
Depth 180 mm
Size bowl dimension 403 x 403 mm
Total dimensions 440 x 440 mm



Material finish: matt inox

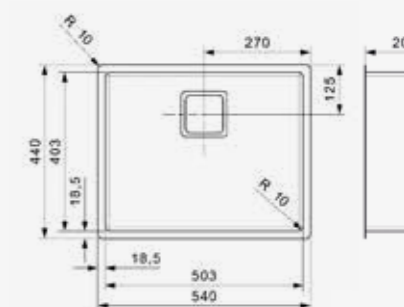


TEXAS

50X40
Cabinet 600 mm
Depth 200 mm
Size bowl dimension 503 x 403 mm
Total dimensions 540 x 440 mm



Material finish: matt inox



* Limited availability – please call us for more information



PRACTICAL DESIGN

Our Ohio range is available in many sizes. With both tapwing and non-tapwing models available, this modern range can be undermount, integrated and semi-integrated easily. Including a beautiful design overflow this range fits easily into any kitchen for both style and practicality.



THE INNER RADIUS OF THESE SINKS IS 26.5 MM, THE BOTTOM RADIUS IS 15 MM.

UNFORGETTABLE OHIO



- 15 + 26.5 mm radius
- Easy to maintain



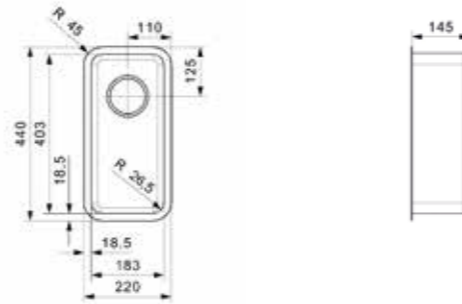
OHIO*

18X40

Cabinet 400 mm
 Depth 145 mm
 Size bowl dimension 183 x 403 mm
 Total dimensions 220 x 440 mm



Material finish: matt inox



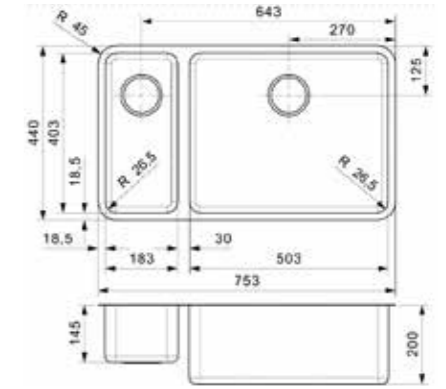
OHIO

18X40+50X40

Cabinet 800 mm
 Depth 145 + 200 mm
 Size bowl dimension 183 x 403 + 503 x 403 mm
 Total dimensions 753 x 440 mm



Material finish: matt inox



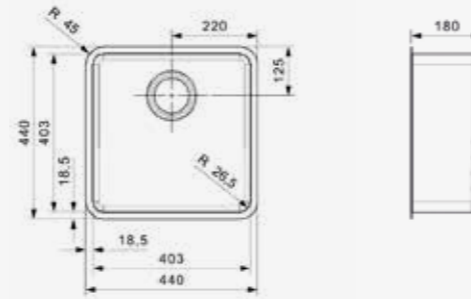
OHIO

40X40

Cabinet 450 mm
 Depth 180 mm
 Size bowl dimension 403 x 403 mm
 Total dimensions 440 x 440 mm



Material finish: matt inox



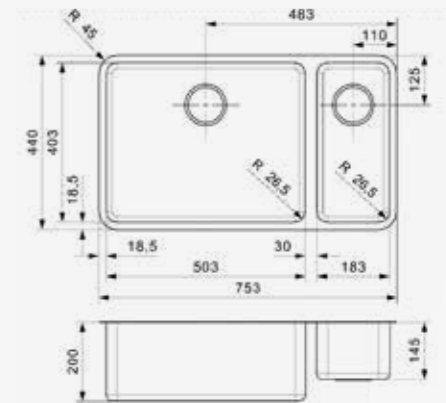
OHIO

50X40+18X40

Cabinet 800 mm
 Depth 200 + 145 mm
 Size bowl dimension 503 x 403 + 183 x 403 mm
 Total dimensions 753 x 440 mm



Material finish: matt inox



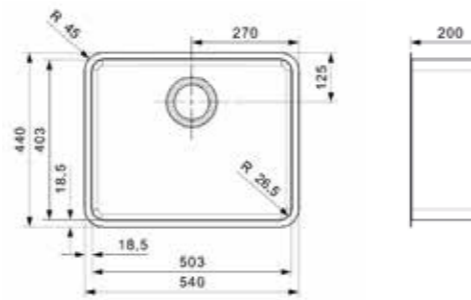
OHIO

50X40

Cabinet 600 mm
 Depth 200 mm
 Size bowl dimension 503 x 403 mm
 Total dimensions 540 x 440 mm



Material finish: matt inox



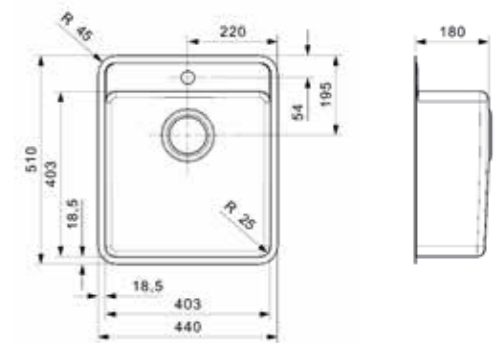
OHIO

40X40 TAPWING

Cabinet 450 mm
 Depth 180 mm
 Size bowl dimension 403 x 403 mm
 Total dimensions 440 x 510 mm



Material finish: matt inox
Not suitable for undermount fitting



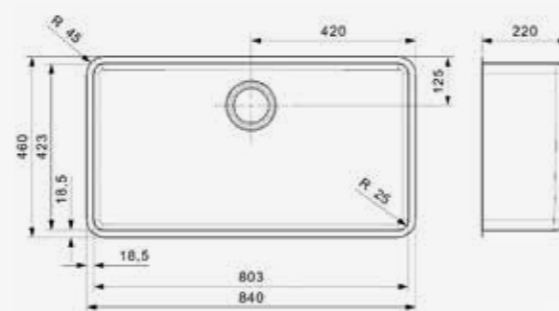
OHIO

80X42

Cabinet 900 mm
 Depth 220 mm
 Size bowl dimension 803 x 423 mm
 Total dimensions 840 x 460 mm



Material finish: matt inox



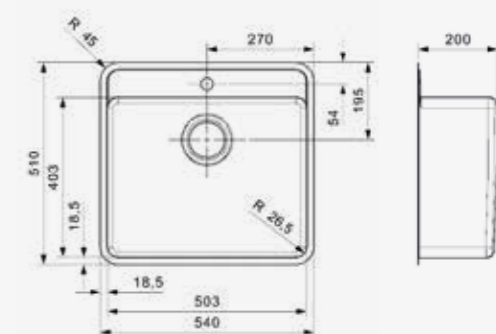
OHIO

50X40 TAPWING

Cabinet 600 mm
 Depth 200 mm
 Size bowl dimension 503 x 403 mm
 Total dimensions 540 x 510 mm



Material finish: matt inox
Not suitable for undermount fitting





STYLISH AS NEW YORK

WHERE STYLE IS EXPECTED AND DEMANDED

Some people see New York as one of the most vibrant and most exciting cities in the world. It leads the way with its style, design and trends. You will see these characteristics in the New York range by Reginox. These sinks have a sleek and modern design, they are deep-drawn without welded or folded seams.

The comfort plug waste outlet also means there is less chance of leaks and bacteria build up, as well as adding to the sleek appearance of the whole sink.



NEW YORK SINKS HAVE
A 10 MM INTERNAL AND
EXTERNAL RADIUS



- 10 mm radius
- Comfort plug



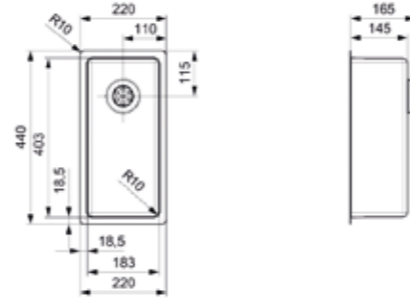
NEW YORK

18 X 40

Cabinet 400 mm
 Depth 145 mm
 Size bowl dimension 183 x 403 mm
 Total dimensions 220 x 440 mm



Material finish: matt inox | 10 mm radius
 With intergral strainer | Not suitable for waste disposal units



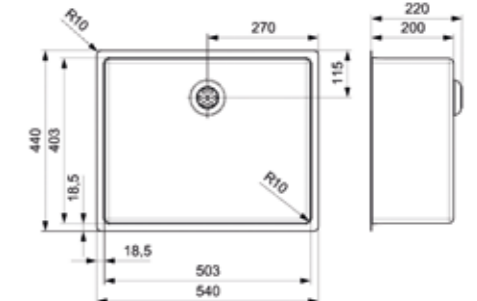
NEW YORK

50 X 40

Cabinet 600 mm
 Depth 200 mm
 Size bowl dimension 503 x 403 mm
 Total dimensions 540 x 440 mm



Material finish: matt inox | 10 mm radius
 With intergral strainer | Not suitable for waste disposal units



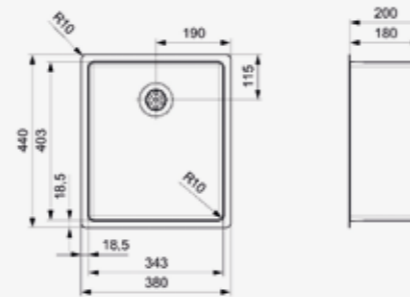
NEW YORK

34 X 40

Cabinet 400 mm
 Depth 180 mm
 Size bowl dimension 343 x 403 mm
 Total dimensions 380 x 440 mm



Material finish: matt inox | 10 mm radius
 With intergral strainer | Not suitable for waste disposal units



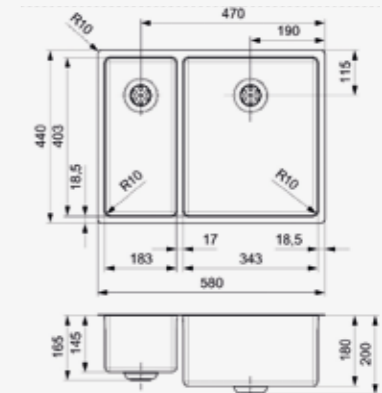
NEW YORK

18 X 40 + 34 X 40

Cabinet 600 mm
 Depth 145 + 180 mm
 Size bowl dimension 183 x 403 + 343 x 403 mm
 Total dimensions 580 x 440 mm



Material finish: matt inox | 10 mm radius
 With intergral strainer | Not suitable for waste disposal units



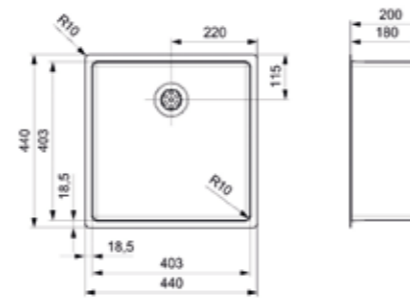
NEW YORK

40 X 40

Cabinet 450 mm
 Depth 180 mm
 Size bowl dimension 403 x 403 mm
 Total dimensions 440 x 440 mm



Material finish: matt inox | 10 mm radius
 With intergral strainer | Not suitable for waste disposal units



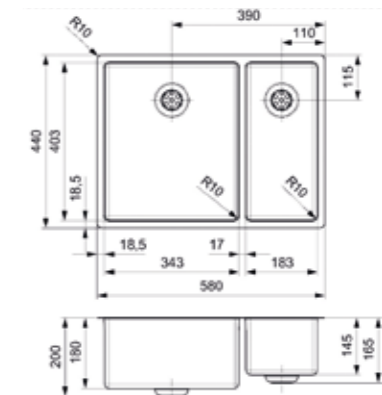
NEW YORK

34 X 40 + 18 X 40

Cabinet 600 mm
 Depth 180 + 145 mm
 Size bowl dimension 343 x 403 + 183 x 403 mm
 Total dimensions 580 x 440 mm



Material finish: matt inox | 10 mm radius
 With intergral strainer | Not suitable for waste disposal units



OUR SINKS ARE MADE OUT OF THE BEST STEEL



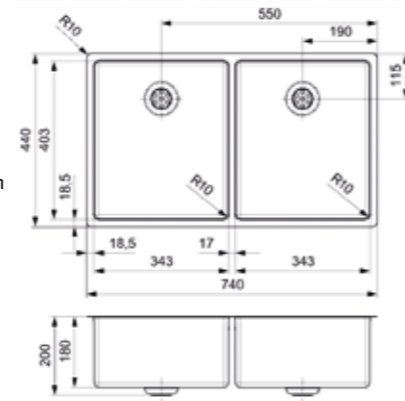
NEW YORK*

34X40+34X40

Cabinet 800 mm
 Depth 180 + 180 mm
 Size bowl dimension 343 x 403 + 343 x 403 mm
 Total dimensions 740 x 440 mm



Material finish: matt inox | 10 mm radius
 With intergral strainer | Not suitable for
 waste disposal units



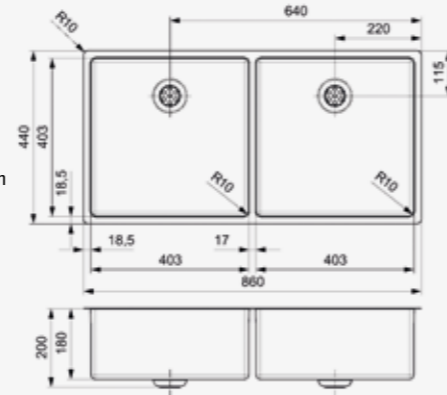
NEW YORK*

40X40+40X40

Cabinet 900 mm
 Depth 180 + 180 mm
 Size bowl dimension 403 x 403 + 403 x 403 mm
 Total dimensions 860 x 440 mm



Material finish: matt inox | 10 mm radius
 With intergral strainer | Not suitable for
 waste disposal units



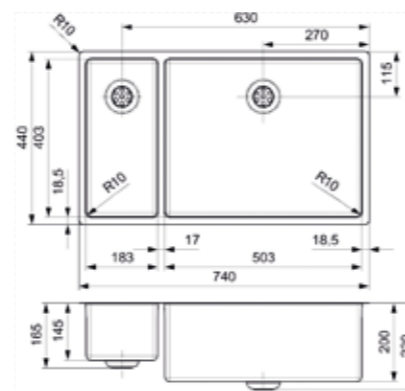
NEW YORK*

18X40+50X40

Cabinet 800 mm
 Depth 145 + 200 mm
 Size bowl dimension 183 x 403 + 503 x 403 mm
 Total dimensions 740 x 440 mm



Material finish: matt inox | 10 mm radius
 With intergral strainer | Not suitable for
 waste disposal units



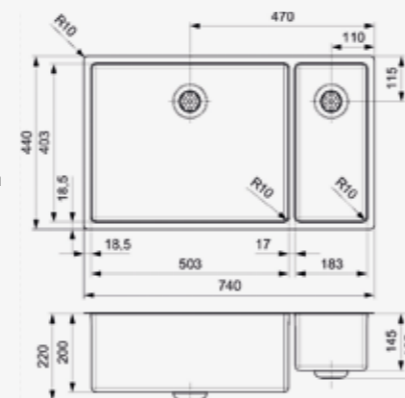
NEW YORK*

50X40+18X40

Cabinet 800 mm
 Depth 200 + 145 mm
 Size bowl dimension 503 x 403 + 183 x 403 mm
 Total dimensions 740 x 440 mm



Material finish: matt inox | 10 mm radius
 With intergral strainer | Not suitable for
 waste disposal units



MANUFACTURED
 WITHOUT WELDED
CORNERS



NEW YORK'S NEAREST NEIGHBOUR

Just as New Jersey is the geographical extension of New York city, the New Jersey line is an extension of our bestseller: the New York sink. The New Jersey is also a very modern design with an internal and external radius of 10 mm and a deep-drawn plug. The difference lies in the slightly narrower horizontal depth (37 cm instead of 40 cm), this means the New Jersey makes it even easier to fit taps in worktops of 60 cm deep.



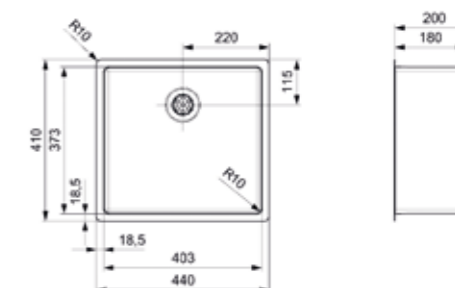
NEW JERSEY

40 X 37

Cabinet	450 mm
Depth	180 mm
Size bowl dimension	403 x 373 mm
Total dimensions	440 x 410 mm



Material finish: matt inox | 10 mm radius
With intergral strainer | Not suitable for waste disposal units



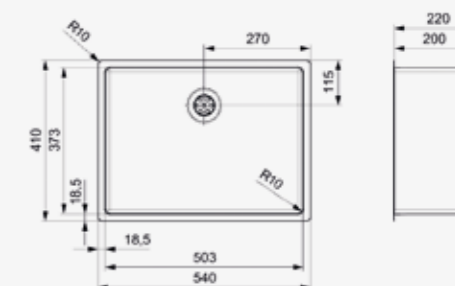
NEW JERSEY

50 X 37

Cabinet	600 mm
Depth	200 mm
Size bowl dimension	503 x 373 mm
Total dimensions	540 x 410 mm



Material finish: matt inox | 10 mm radius
With intergral strainer | Not suitable for waste disposal units



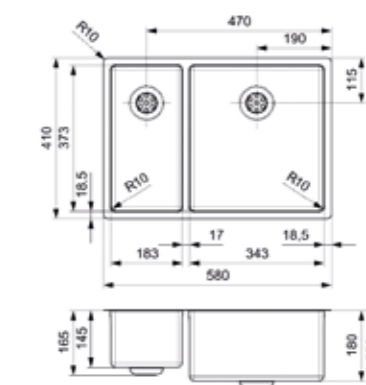
NEW JERSEY

18 X 37 + 34 X 37

Cabinet	600 mm
Depth	145 + 180 mm
Size bowl dimension	183 x 373 + 343 x 373 mm
Total dimensions	580 x 410 mm



Material finish: matt inox | 10 mm radius
With intergral strainer | Not suitable for waste disposal units



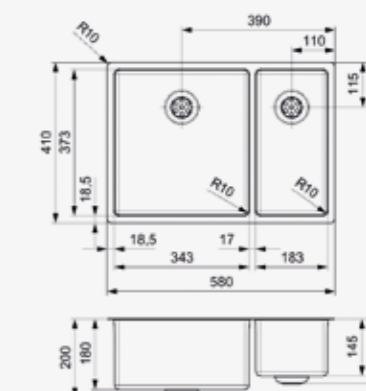
NEW JERSEY

34 X 37 + 18 X 37

Cabinet	600 mm
Depth	180 + 145 mm
Size bowl dimension	343 x 373 + 183 x 373 mm
Total dimensions	580 x 410 mm



Material finish: matt inox | 10 mm radius
With intergral strainer | Not suitable for waste disposal units



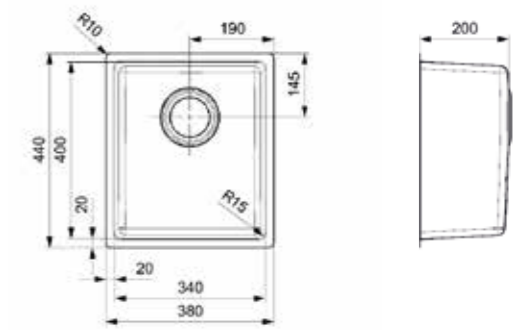


HOUSTON

34X40
 Cabinet 400 mm
 Depth 200 mm
 Size bowl dimension 340 x 400 mm
 Total dimensions 380 x 440 mm



Material finish: polished inox

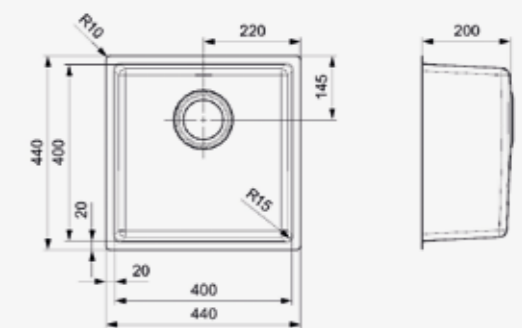


HOUSTON*

40X40
 Cabinet 500 mm
 Depth 200 mm
 Size bowl dimension 400 x 400 mm
 Total dimensions 440 x 440 mm



Material finish: polished inox

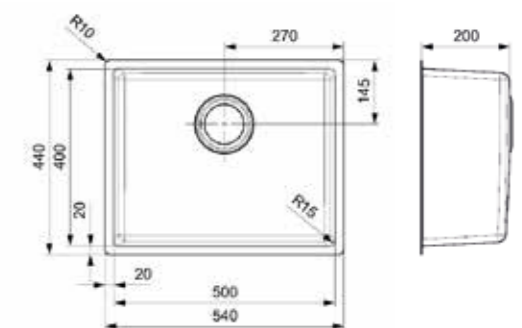


HOUSTON*

50X40
 Cabinet 600 mm
 Depth 200 mm
 Size bowl dimension 500 x 400 mm
 Total dimensions 540 x 440 mm



Material finish: polished inox



* Limited availability – please call us for more information

HELLO HOUSTON

Our Houston range combines style with price, as part of our entry level range this line is perfect for any contract wanting to add a certain elegance to a budget kitchen. As with many of our other sinks the Houston is deep-drawn, with a 200 mm bowl depth which adds durability and sustainability to this already appealing range. A diverse range with diverse applications!



- 15 mm radius
- Depth of 200 mm

KANSAS SINKS ARE **25 CM DEEP**

LOOK AT PAGE 93 FOR KANSAS COMMERCIAL RANGE SINKS



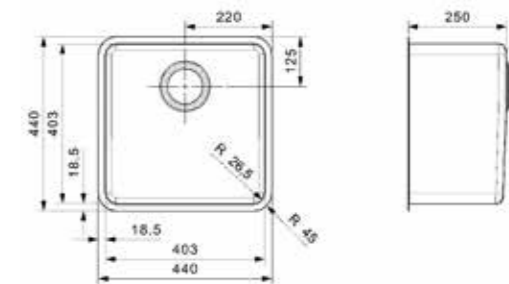
KANSAS

40X40

- Cabinet 450 mm
- Depth 250 mm
- Size bowl dimension 403 x 403 mm
- Total dimensions 440 x 440 mm



Material finish: polished inox



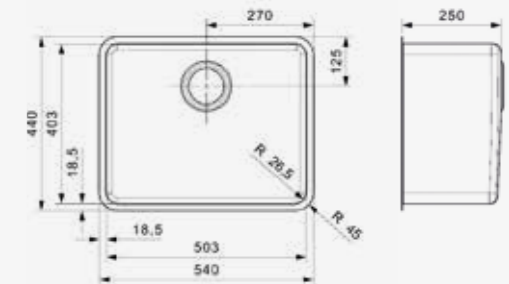
KANSAS

50X40

- Cabinet 600 mm
- Depth 250 mm
- Size bowl dimension 503 x 403 mm
- Total dimensions 540 x 440 mm



Material finish: polished inox



MODERN LIFESTYLE DESIGN

CLEAN LINES ZERO MM INNER RADIUS



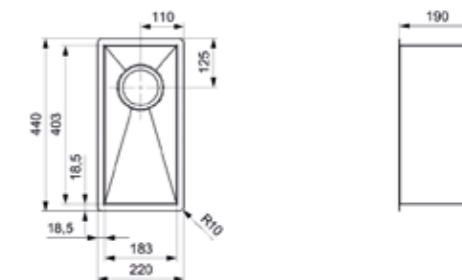
ONTARIO*

18 X 40

Cabinet	400 mm
Depth	190 mm
Size bowl dimension	183 x 403 mm
Total dimensions	220 x 440 mm



Material finish: polished inox



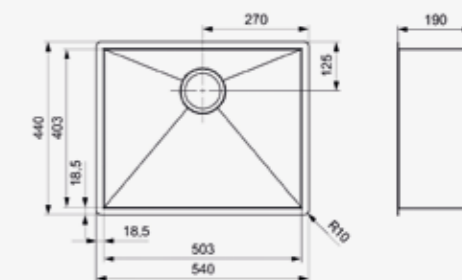
ONTARIO*

50 X 40

Cabinet	600 mm
Depth	190 mm
Size bowl dimension	503 x 403 mm
Total dimensions	540 x 440 mm



Material finish: polished inox



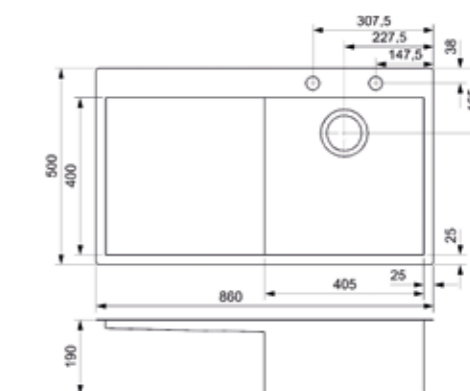
ONTARIO

10 LHD

Cabinet	450 mm
Depth	190 mm
Size bowl dimension	405 x 400 mm
Total dimensions	860 x 500 mm



Material finish: polished inox | Pop up waste included | Available as left / right hand drainer



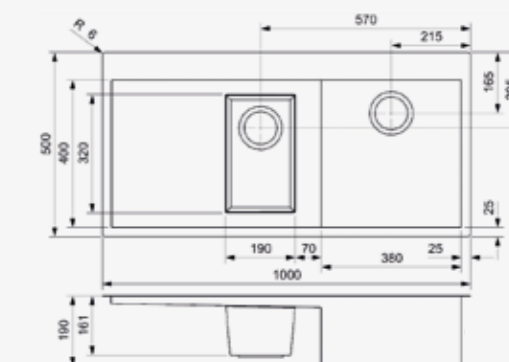
ONTARIO

1.5 LHD

Cabinet	800 mm
Depth	161 + 190 mm
Size bowl dimension	190 x 320 + 380 x 400 mm
Total dimensions	1000 x 500 mm



Material finish: polished inox | Pop up waste included | Available as left / right hand drainer



QUALITY IN THE KITCHEN

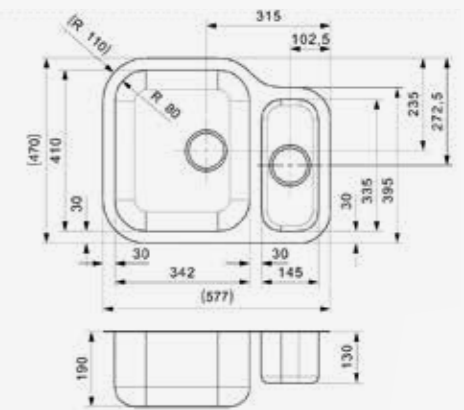


ALASKA

MBL
Cabinet
Depth 600 mm
Size bowl dimension 190 x 130 mm
Total dimensions 342 x 410 + 145 x 335 mm
577 x 470 mm



Material finish: polished inox

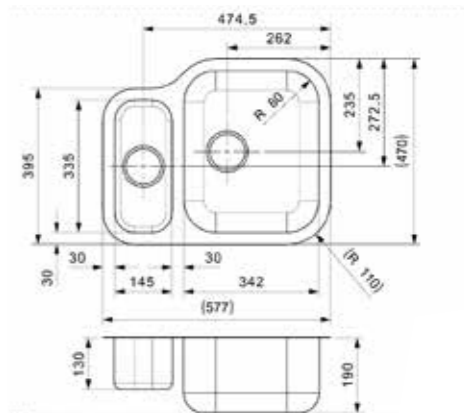


ALASKA

MBR
Cabinet
Depth 600 mm
Size bowl dimension 130 x 190 mm
Total dimensions 145 x 335 + 342 x 410 mm
577 x 470 mm



Material finish: polished inox

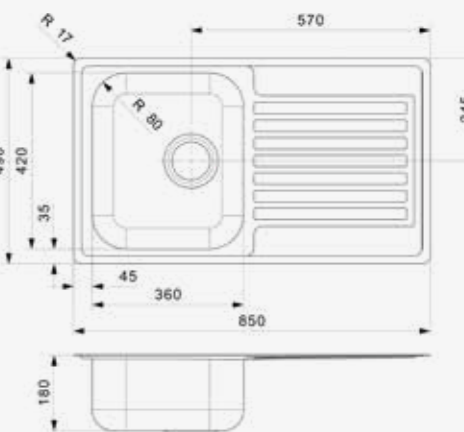


CENTURIO*

L10
Cabinet 500 mm
Depth 180 mm
Size bowl dimension 360 x 420 mm
Total dimensions 850 x 490 mm



Undrilled unless requested
Material finish: polished inox





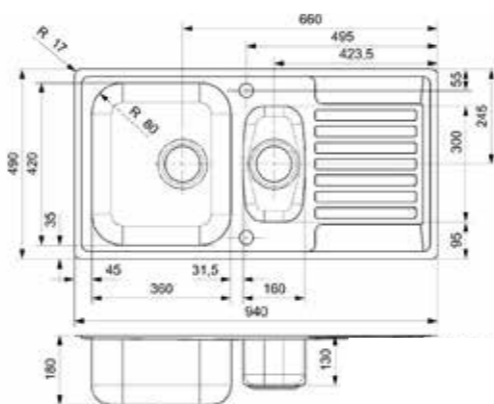
CENTURIO

L1.5

Cabinet 600 mm
 Depth 180 + 130 mm
 Size bowl dimension 360 x 420 + 160 x 300 mm
 Total dimensions 940 x 490 mm



Material finish: polished inox
 Reversible sink | Pop up waste included
 Stainless steel colander included



L18 3016 OKG

Cabinet 400 mm
 Depth 122 mm
 Size bowl dimension 160 x 300 mm
 Total dimensions 185 x 325 mm



Material finish: polished inox



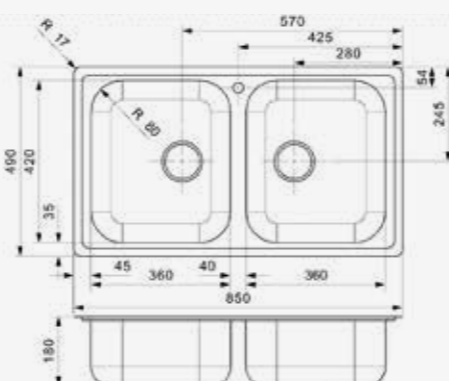
CENTURIO*

L20

Cabinet 800 mm
 Depth 180 + 180 mm
 Size bowl dimension 360 x 420 + 360 x 420 mm
 Total dimensions 850 x 490 mm



Material finish: polished inox
 Undrilled unless requested
 Overflow in one bowl only

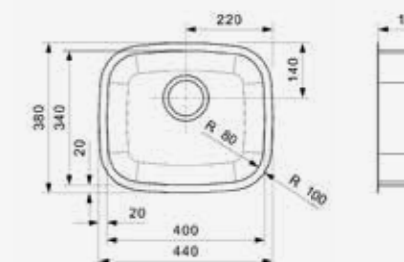


L18 3440 OKG

Cabinet 450 mm
 Depth 160 mm
 Size bowl dimension 400 x 340 mm
 Total dimensions 440 x 380 mm



Material finish: polished inox



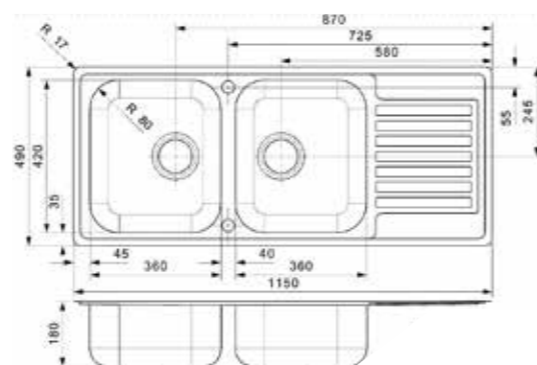
CENTURIO

L30

Cabinet 800 mm
 Depth 180 + 180 mm
 Size bowl dimension 360 x 420 + 360 x 420 mm
 Total dimensions 1150 x 490 mm



Material finish: polished inox
 Undrilled unless requested

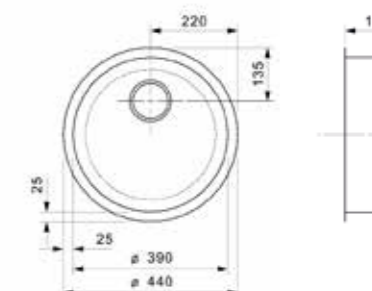


L18 390 OKG

Cabinet 450 mm
 Depth 160 mm
 Size bowl dimension 390 mm
 Total dimensions 440 mm



Material finish: polished inox

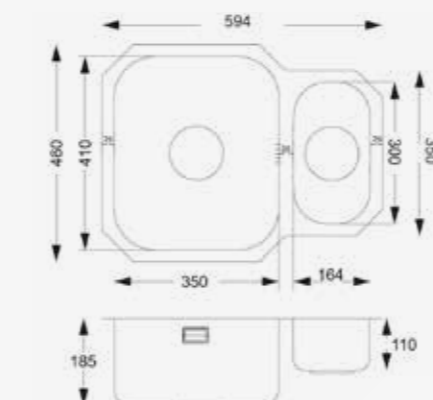


DAKOTA

Cabinet 600 mm
 Depth 185 + 110 mm
 Size bowl dimension 350 x 410 + 164 x 300 mm
 Total dimensions 594 x 460 mm



Material finish: matt polished
 Reversible sink

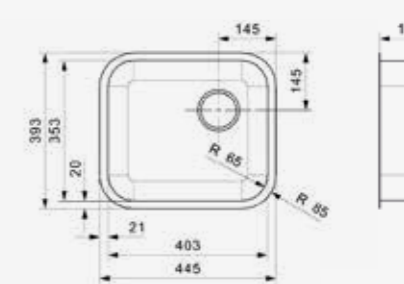


L18 4035 OKG

Cabinet 450 mm
 Depth 150 mm
 Size bowl dimension 403 x 353 mm
 Total dimensions 445 x 393 mm



Material finish: polished inox



* Limited availability – please call us for more information



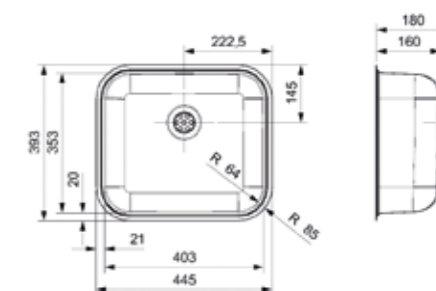
COLORADO COMFORT: WHERE PRACTICALITY MEETS **DIVERSITY**

This sink envisions a simplistic, refined design, with a sleek horizontal overflow and a polished finish. Because of the deep-drawn manufacturing process the Colorado has no seams or edges. The integrated comfort waste also means there is less chance of leaks and is an easy clean product.



COLORADO
COMFORT L

- Cabinet 450 mm
- Depth 160 mm
- Size bowl dimension 403 x 353 mm
- Total dimensions 445 x 393 mm



Material finish: polished inox | With intergral strainer
Not suitable for waste disposal units

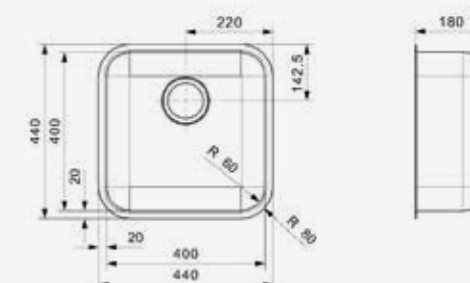
VERY EASY TO CLEAN AND
MAINTAIN DUE TO THE
LARGE RADIUS OF 64 MM ON
THE INTERNAL CORNERS



MADE OUT OF THE BEST STEEL



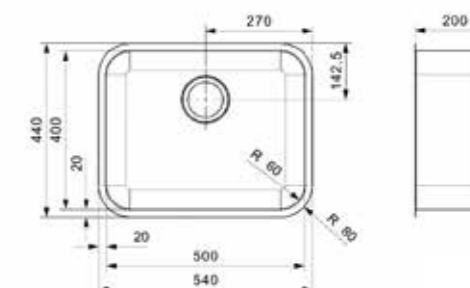
IB*
40X40
Cabinet 450 mm
Depth 180 mm
Size bowl dimension 400 x 400 mm
Total dimensions 440 x 440 mm



Material finish: polished inox



IB
50X40
Cabinet 600 mm
Depth 200 mm
Size bowl dimension 500 x 400 mm
Total dimensions 540 x 440 mm



Material finish: polished inox



WE ALWAYS CHOOSE
HIGH-QUALITY MATERIALS
AND TECHNIQUES

* Limited availability – please call us for more information



EVERY SINK IS PRODUCED WITH
PRECISION AND CARE



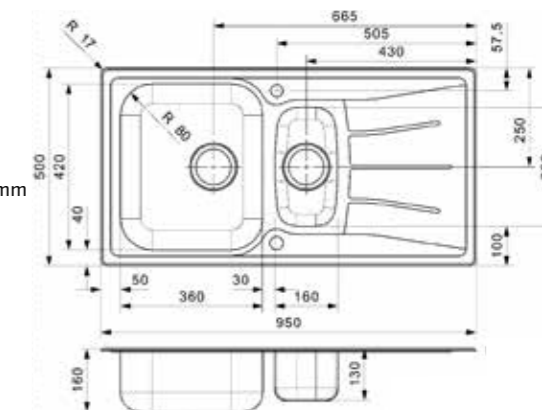
DIPLOMAT

1.5 ECO

Cabinet 600 mm
Depth 160 + 130 mm
Size bowl dimension 360 x 420 + 160 x 300 mm
Total dimensions 950 x 500 mm



Material finish: polished inox
Reversible sink



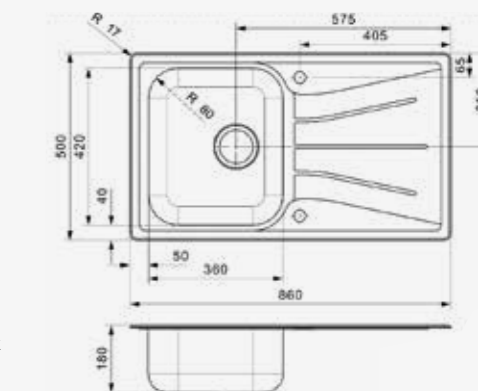
DIPLOMAT

10 LUX

Cabinet 500 mm
Depth 180 mm
Size bowl dimension 360 x 420 mm
Total dimensions 860 x 500 mm



Material finish: polished inox | Reversible sink
Pop up waste included



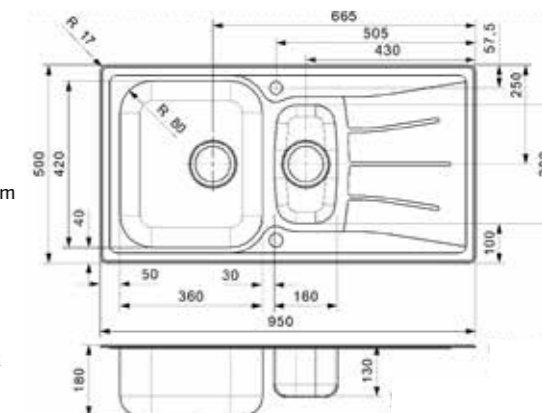
DIPLOMAT

1.5 LUX

Cabinet 600 mm
Depth 180 + 130 mm
Size bowl dimension 360 x 420 + 160 x 300 mm
Total dimensions 950 x 500 mm



Material finish: polished inox | Reversible sink
Pop up waste included
Stainless steel colander included



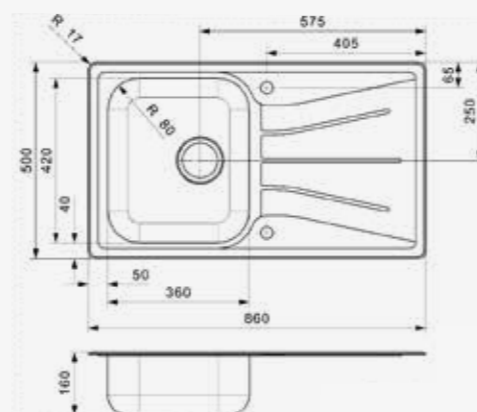
DIPLOMAT

10 ECO

Cabinet 500 mm
Depth 160 mm
Size bowl dimension 360 x 420 mm
Total dimensions 860 x 500 mm



Material finish: polished inox
Reversible sink



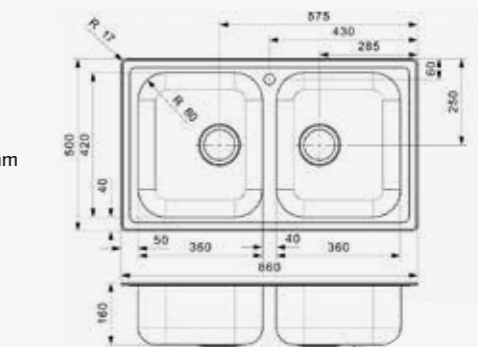
DIPLOMAT

20

Cabinet 800 mm
Depth 180 + 180 mm
Size bowl dimension 360 x 420 + 360 x 420 mm
Total dimensions 860 x 500 mm



Material finish: polished inox
Including tap hole | Overflow in right hand bowl



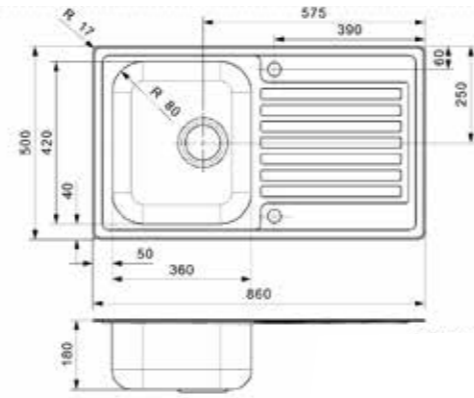


CENTURIO*

R10
 Cabinet 500 mm
 Depth 180 mm
 Size bowl dimension 360 x 420 mm
 Total dimensions 860 x 500 mm



Material finish: polished inox
 Reversible sink | Pop up waste included

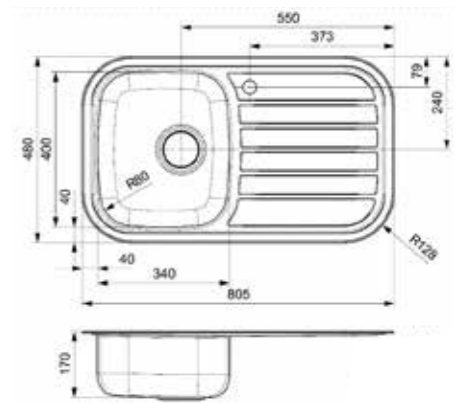


REGENT

10 LUX A
 Cabinet 450 mm
 Depth 170 mm
 Size bowl dimension 340 x 400 mm
 Total dimensions 805 x 480 mm



Material finish: polished inox
 Also available as left hand drainer

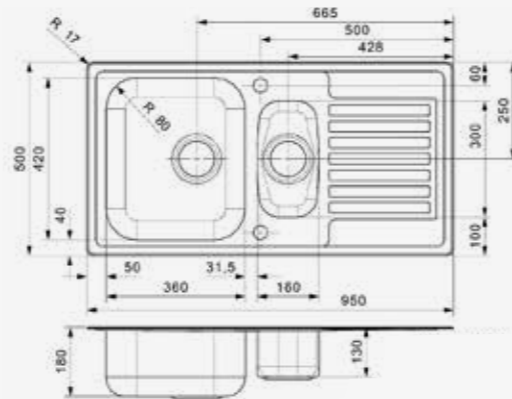


CENTURIO

R1.5
 Cabinet 600 mm
 Depth 180 + 130 mm
 Size bowl dimension 360 x 420 + 160 x 300 mm
 Total dimensions 950 x 500



Material finish: polished inox | Reversible sink
 Pop up waste included
 Stainless steel colander included

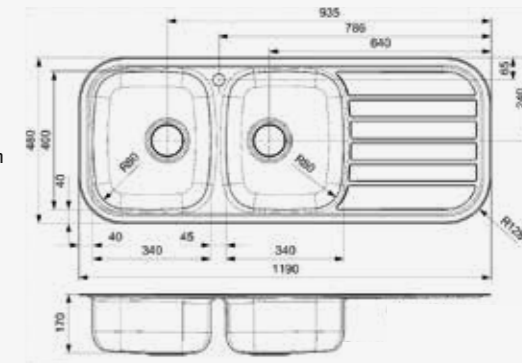


REGENT

30 LUX A
 Cabinet 800 mm
 Depth 170 + 170 mm
 Size bowl dimension 340 x 400 + 340 x 400 mm
 Total dimensions 1190 x 480 mm



Material finish: polished inox
 Also available as left hand drainer

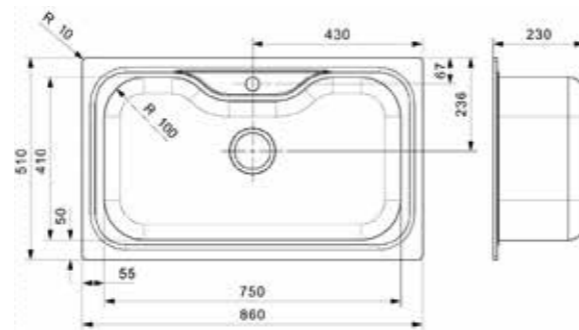


JUMBO

Cabinet 900 mm
 Depth 230 mm
 Size bowl dimension 750 x 410 mm
 Total dimensions 860 x 510 mm



Material finish: polished inox
 Including tap hole

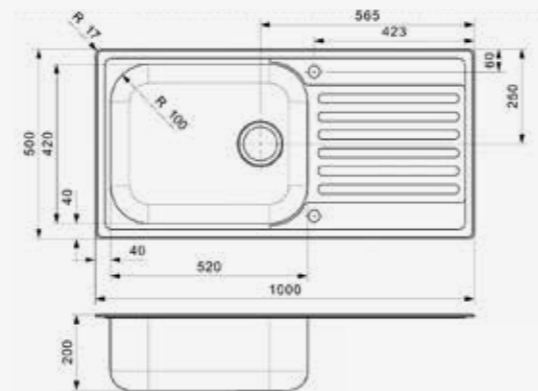


MINISTER REVERSIBLE

Cabinet 600 mm
 Depth 200 mm
 Size bowl dimension 520 x 420 mm
 Total dimensions 1000 x 500 mm



Material finish: polished inox
 Reversible sink



OUR SINKS ARE MADE
OF 80% RECYCLED STEEL

MORE THAN **45 YEARS**
OF EXPERIENCE



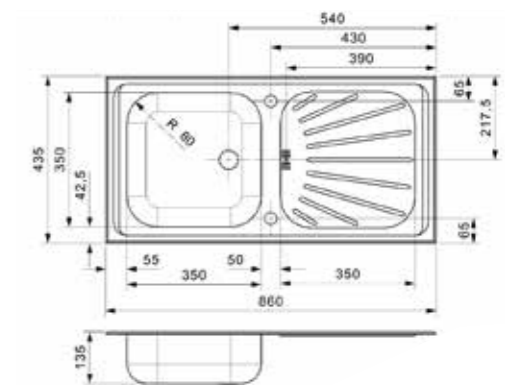
ALPHA

10

- Cabinet 500 mm
- Depth 135 mm
- Size bowl dimension 350 x 350 mm
- Total dimensions 860 x 435 mm



Material finish: matt inox
 Reversible sink

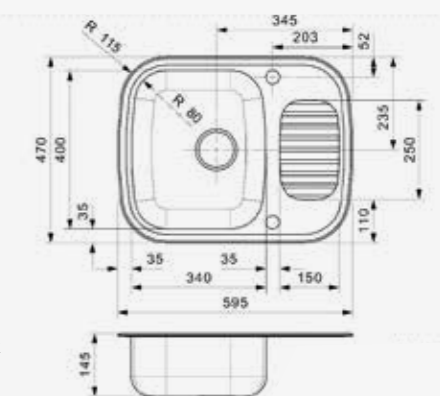


REGIDRAIN

- Cabinet 450 mm
- Depth 145 mm
- Size bowl dimension 340 x 400 mm
- Total dimensions 595 x 470 mm



Material finish: polished inox | Reversible sink
 Available with or without tap holes



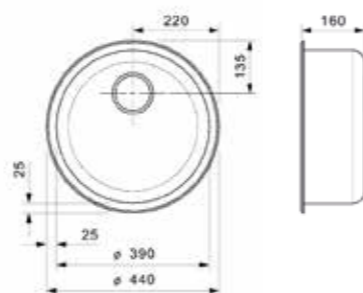


R18 390 OKG

Cabinet 450 mm
 Depth 160 mm
 Size bowl dimension 390 mm
 Total dimensions 440 mm



Material finish: polished inox



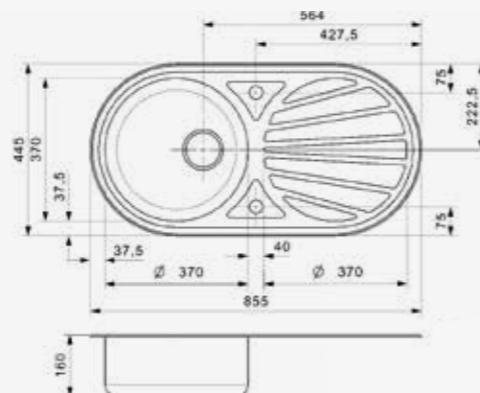
GALICIA

LUX

Cabinet 450 mm
 Depth 160 mm
 Size bowl dimension 370 mm
 Total dimensions 855 x 445 mm



Material finish: polished inox
Reversible sink

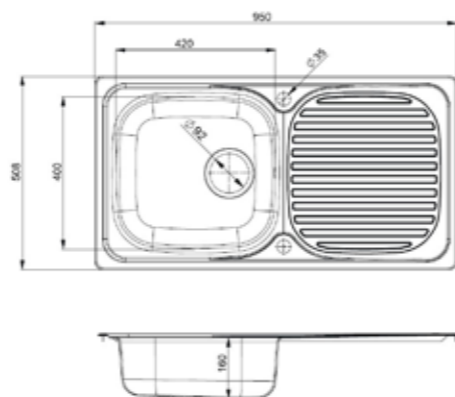


OULTON

Cabinet 600 mm
 Depth 160 mm
 Size bowl dimension 420 x 400 mm
 Total dimensions 950 x 508 mm



Material finish: satin
Reversible sink



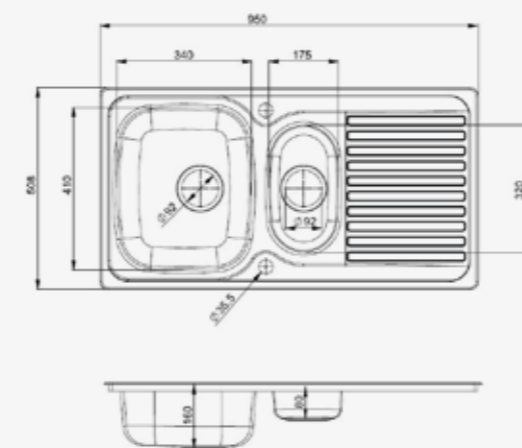
MONDELLO

1.5

Cabinet 600 mm
 Depth 160 + 80 mm
 Size bowl dimension 340 x 410 + 175 x 320 mm
 Total dimensions 950 x 508 mm



Material finish: satin
Reversible sink





WHERE BEING DIFFERENT MATTERS

Our range of PVD coloured sinks is as varied and beautiful as the well-known city of Miami. Available in 3 colours, Copper, Gold and Gun Metal and 3 fitting styles (undermount, integrated and semi-integrated), this range is as distinct as the city it is named after.

GUN METAL – COPPER – GOLD

The Miami line contains sinks, taps and accessories with a stylish design, available in the three unique colours; we have created these colours with the help of PVD-technology, in which stainless steel is coated using physical vapour deposition.

The Miami sinks are 200 mm deep and have a radius of 10 mm. They are available in the sizes 40x40 cm and 50x40 cm and are suitable for undermount, integrated and semi-integrated installation. The Miami taps are available in two models: the Kalix and the Rion. In short, a complete line for people looking for colour in the kitchen. That's the beauty of Miami.



GUN METAL



COPPER



GOLD



- 10 mm radius
- PVD-technology
- Depth of 200 mm

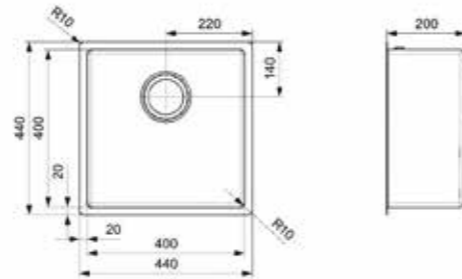


MIAMI
40X40 GUN METAL

Cabinet 450 mm
Depth 200 mm
Size bowl dimension 400 x 400 mm
Total dimensions 440 x 440 mm



10 mm radius | Colour matching taps and accessories available

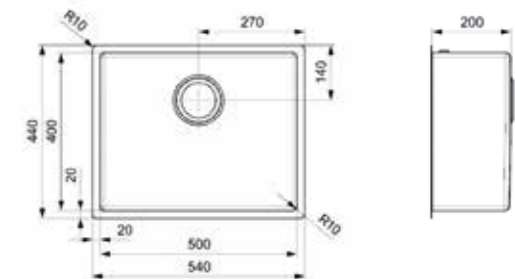


MIAMI
50X40 GUN METAL

Cabinet 600 mm
Depth 200 mm
Size bowl dimension 500 x 400 mm
Total dimensions 540 x 440 mm



10 mm radius | Colour matching taps and accessories available

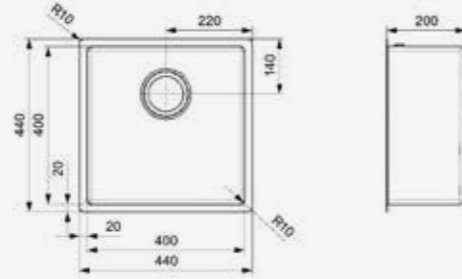


MIAMI
40X40 COPPER

Cabinet 450 mm
Depth 200 mm
Size bowl dimension 400 x 400 mm
Total dimensions 440 x 440 mm



10 mm radius | Colour matching taps and accessories available

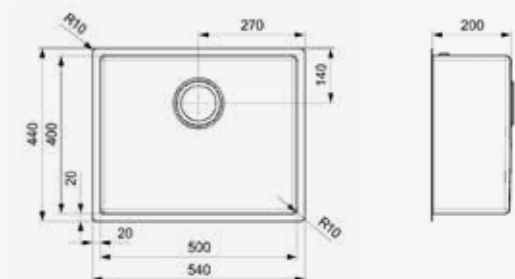


MIAMI
50X40 COPPER

Cabinet 600 mm
Depth 200 mm
Size bowl dimension 500 x 400 mm
Total dimensions 540 x 440 mm



10 mm radius | Colour matching taps and accessories available

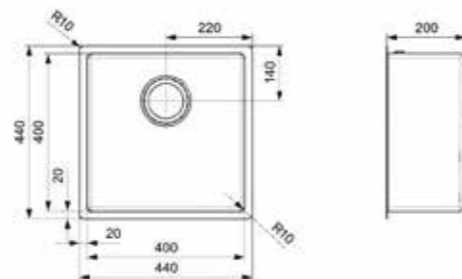


MIAMI
40X40 GOLD

Cabinet 450 mm
Depth 200 mm
Size bowl dimension 400 x 400 mm
Total dimensions 440 x 440 mm



10 mm radius | Colour matching taps and accessories available

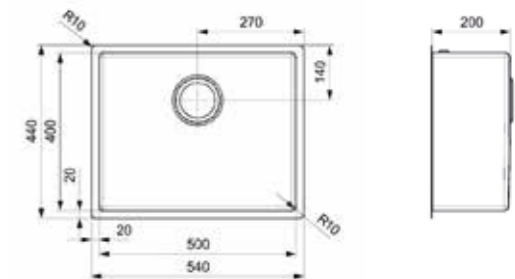


MIAMI
50X40 GOLD

Cabinet 600 mm
Depth 200 mm
Size bowl dimension 500 x 400 mm
Total dimensions 540 x 440 mm



10 mm radius | Colour matching taps and accessories available



AVAILABLE IN
THREE COLOURS

BRING COLOUR INTO YOUR **KITCHEN**

A SUBTLE TOUCH OF COLOUR

Our Regi-Color sinks bring a subtle touch of colour to any kitchen. Available in Arctic White, Atomic Grey, Midnight Sky or Jet Black, the metallic and pearlescent finishes of these powder coated stainless steel sinks will bring any kitchen alive.



ARCTIC WHITE



ATOMIC GREY



MIDNIGHT SKY



JET BLACK



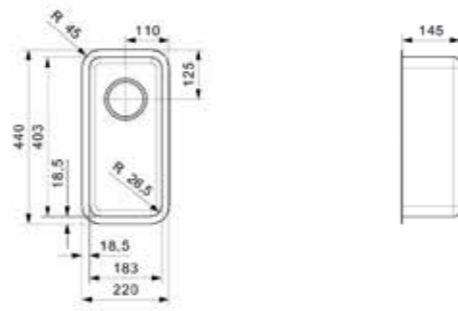
- 15 + 26.5 mm radius
- Design overflow
- Easy to clean



OHIO

18X40 MIDNIGHT SKY

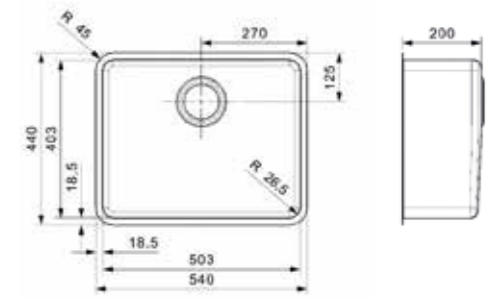
Cabinet 400 mm
Depth 145 mm
Size bowl dimension 183 x 403 mm
Total dimensions 220 x 440 mm



OHIO

50X40 ARCTIC WHITE

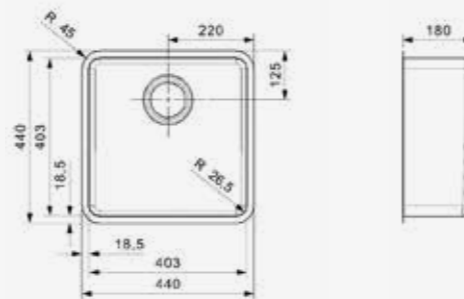
Cabinet 600 mm
Depth 200 mm
Size bowl dimension 503 x 403 mm
Total dimensions 540 x 440 mm



OHIO

40X40 ARCTIC WHITE

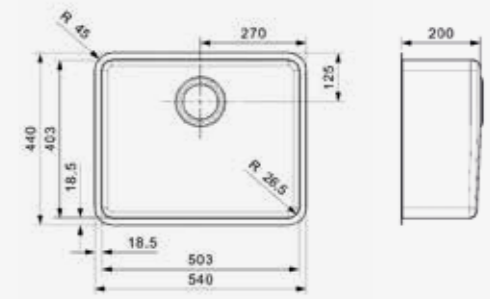
Cabinet 450 mm
Depth 180 mm
Size bowl dimension 403 x 403 mm
Total dimensions 440 x 440 mm



OHIO

50X40 ATOMIC GREY

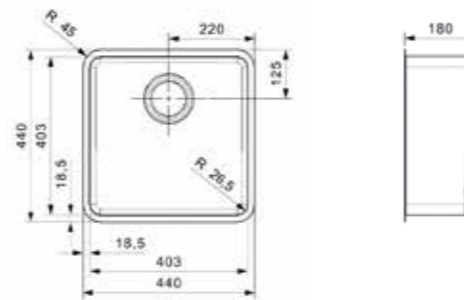
Cabinet 600 mm
Depth 200 mm
Size bowl dimension 503 x 403 mm
Total dimensions 540 x 440 mm



OHIO

40X40 ATOMIC GREY

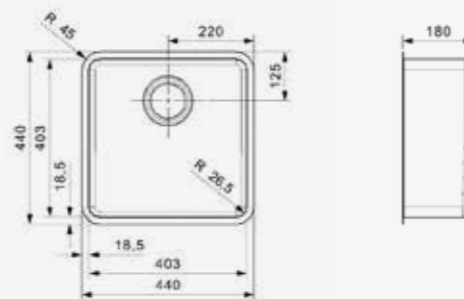
Cabinet 450 mm
Depth 180 mm
Size bowl dimension 403 x 403 mm
Total dimensions 440 x 440 mm



OHIO

40X40 MIDNIGHT SKY

Cabinet 450 mm
Depth 180 mm
Size bowl dimension 403 x 403 mm
Total dimensions 440 x 440 mm



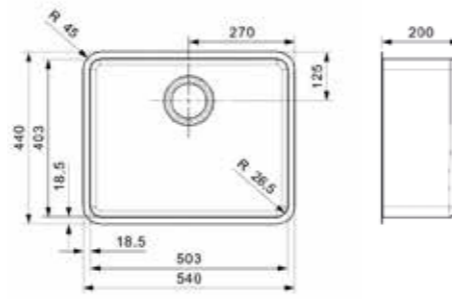
HIGH-QUALITY
APPEARANCE



OHIO

50X40 MIDNIGHT SKY

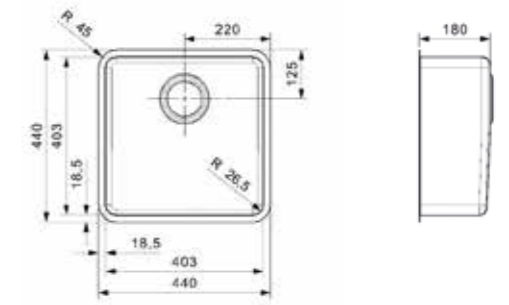
Cabinet 600 mm
Depth 200 mm
Size bowl dimension 503 x 403 mm
Total dimensions 540 x 440 mm



OHIO

40X40 JET BLACK

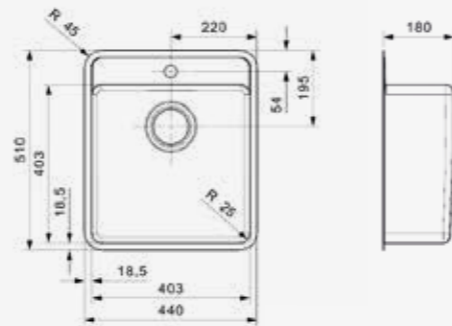
Cabinet 450 mm
Depth 180 mm
Size bowl dimension 403 x 403 mm
Total dimensions 440 x 440 mm



OHIO

40X40 MIDNIGHT SKY TAPWING

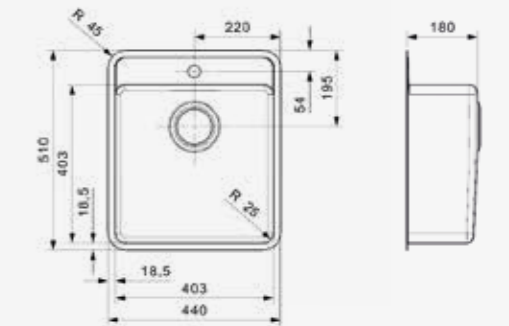
Cabinet 450 mm
Depth 180 mm
Size bowl dimension 403 x 403 mm
Total dimensions 440 x 510 mm



OHIO

40X40 JET BLACK TAPWING

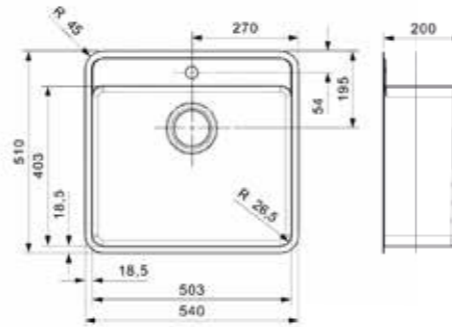
Cabinet 450 mm
Depth 180 mm
Size bowl dimension 403 x 403 mm
Total dimensions 440 x 510 mm



OHIO

50X40 MIDNIGHT SKY TAPWING

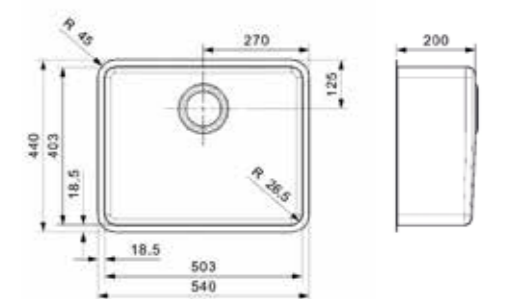
Cabinet 600 mm
Depth 200 mm
Size bowl dimension 503 x 403 mm
Total dimensions 540 x 510 mm



OHIO

50X40 JET BLACK

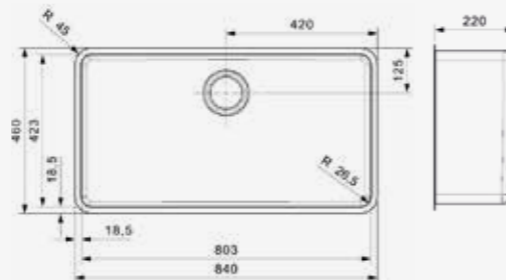
Cabinet 600 mm
Depth 200 mm
Size bowl dimension 503 x 403 mm
Total dimensions 540 x 440 mm



OHIO

80X42 MIDNIGHT SKY

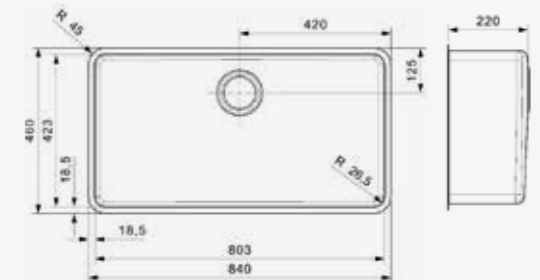
Cabinet 900 mm
Depth 220 mm
Size bowl dimension 803 x 423 mm
Total dimensions 840 x 460 mm



OHIO

80X42 JET BLACK

Cabinet 900 mm
Depth 220 mm
Size bowl dimension 803 x 423 mm
Total dimensions 840 x 460 mm





STYLISH **BLACK**

The stylish and luxurious New York sinks are now available in black! These designer sinks have a super sleek and modern design, and are deep-drawn without any welded or folded seams. The Jet-Black range is fully finished in a deep black colour, including the basket strainer plug and overflow. With an inner- and bottom radius of 10 mm this Jet-Black range will fit easily in every kitchen. The sinks are available in the dimensions: 40x40 cm and 50x40 cm and can be installed undermount, integrated or semi-integrated.



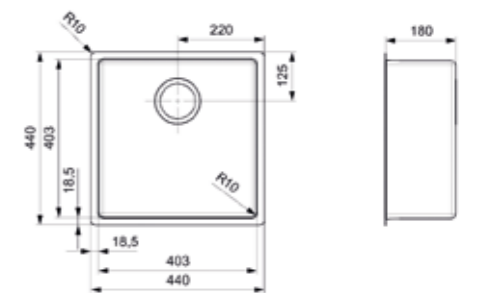
NEW YORK

40X40 OKG JET BLACK

Cabinet	450 mm
Depth	180 mm
Size bowl dimension	403 x 403 mm
Total dimensions	440 x 440 mm



10 mm radius



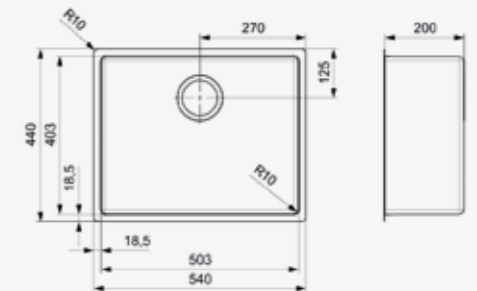
NEW YORK

50X40 OKG JET BLACK

Cabinet	600 mm
Depth	200 mm
Size bowl dimension	503 x 403 mm
Total dimensions	540 x 440 mm



10 mm radius



ELLECI GRANITE

ATTRACTIVE TO THE EYE AND INVITING TO TOUCH

With an aesthetic appearance as an alternative to steel, granite provides great functionality and practicality.

REGINOX IN PARTNERSHIP WITH ELLECI

In 2015 Reginox created a partnership with Elleci, one of Europe's leading manufacturers of granite composite sink tops. This partnership means that we can now offer to you, one of the most comprehensive ranges of composite sink tops available in the UK. Mixing colours, granite materials, sink configurations and designs allows us to present a fantastic offer, covering all price points from entry level to true high end. We are proud of this partnership and are confident that you will be too.

THE COMPANY ELLECI

For over twenty years Elleci has been committed to achieving consistent technological advances working with granite materials. With a strong link between the past and the future Elleci prides themselves on constant innovation and uncompromising quality. With a dedication to always presenting the highest quality possible you can be assured that the Elleci product you purchase from Reginox will always fulfil and satisfy everything that you want from a granite material sink. The range of colours, designs and materials is vast. This means that Elleci can offer a solution for whatever sink you require.

MATERIALS

Elleci has a continual program of innovation in respect to the materials used in the manufacturing of granite sink tops and has a focus on eco sustainability principles. In the endless pursuit of excellence and with unending research Elleci had created a world class selection of materials to offer to you the customer. Please see the next page for more details on the amazing range of materials available to you when you purchase an Elleci sink from Reginox.

KERATEK +

Introducing an innovative and exclusive material, made up from ceramic nanoparticles and a mix of 6 innovative acrylic resins. With many advantages to Keratek+ including hydro repellent, stain resistance, UV protection, thermic shock resistance, impact resistance, and a smoother, harder resistance to abrasion guarantees total protection against bacteria. Warranty: 20 years.



100% WATER REPELLENT AND STAIN RESISTANT



SMOOTHER, HARDER RESISTANCE TO ABRASION



UV PROTECTION



GREATER RESISTANCE TO IMPACTS



GREATER RESISTANCE TO THERMAL SHOCKS (+50%)



ANTIBACTERIAL PROTECTION

METALTEK

The chemical composition is made up of natural granite and acrylic resin, like all the sinks manufactured with the technological leadership G.P.S. system, metaltek has an even mass resulting in high resistance to stains, impact and temperature changes. The uniqueness of this product is that the metal particles have been added, giving the product a brilliant and shining finish, the target is to obtain special 'metallic effects'. The different finishes allow a perfect match between the sink and other stainless steel components in the kitchen. Warranty: 10 years.



IMPACTS RESISTANCE



THERMIC SHOCKS RESISTANCE



UV PROTECTION



ANTIBACTERIAL PROTECTION

GRANITEK

Granitek is made up of natural granite and acrylic resin, ensuring the best quality and resistance from high temperatures to impacts. Granitek has an appearance like natural stone, ceramization effect is a specific process of the granite particle, is not only on the surface but in the entire mass of the particle, through a firing process at 700°C. Warranty: 10 years.



IMPACTS RESISTANCE



THERMIC SHOCKS RESISTANCE



UV PROTECTION



ANTIBACTERIAL PROTECTION

ANTIBACTERIAL PROTECTION

Elleci sinks have total antibacterial protection, which has an adequate coverage of the mass, meaning the bacteria is repelled.



MULTA COLLECTION

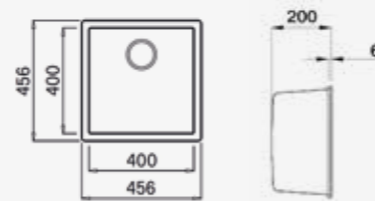
A brand-new range of composite granite sinks with a 3-way fitting solution. Available in three colours and manufactured in Keratek+ material, this is the perfect combination of versatility, style and practicality.



MULTA

102

Cabinet 500 mm
Depth 200 mm
Size bowl dimension 400 x 400 mm
Total dimensions 456 x 456 mm



BLACK



WHITE



LIGHT GREY*

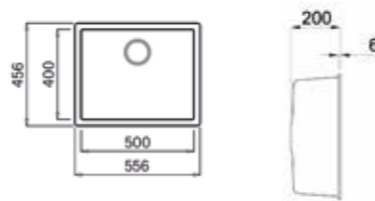
Material: Keratek+



MULTA

105

Cabinet 600 mm
Depth 200 mm
Size bowl dimension 500 x 400 mm
Total dimensions 556 x 456 mm



BLACK



WHITE



LIGHT GREY

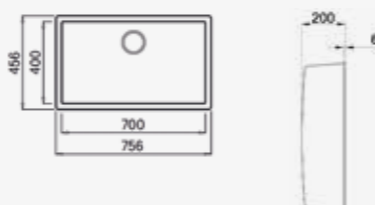
Material: Keratek+



MULTA

130

Cabinet 800 mm
Depth 200 mm
Size bowl dimension 700 x 400 mm
Total dimensions 756 x 456 mm



BLACK



WHITE



LIGHT GREY

Material: Keratek+



* Limited availability – please call us for more information



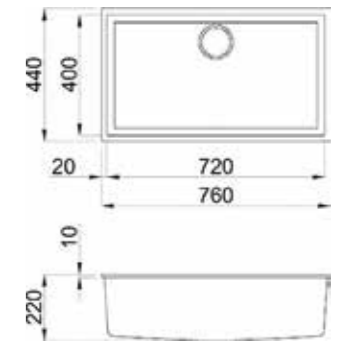
QUADRA COLLECTION

A minimalistic sink collection which, due to its simplicity, succeeds to highlight its modern and clean shapes.



QUADRA

130
 Cabinet 800 mm
 Depth 220 mm
 Size bowl dimension 720 x 400 mm
 Total dimensions 760 x 440 mm

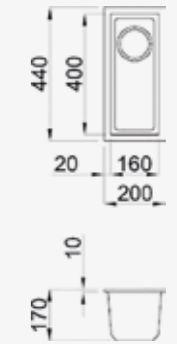


- BLACK METALTEK
- WHITE GRANITEK
- TITANIUM METALTEK
- CREAM GRANITEK



QUADRA

50
 Cabinet 300 mm
 Depth 170 mm
 Size bowl dimension 160 x 400 mm
 Total dimensions 200 x 440 mm

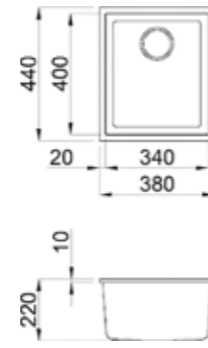


- BLACK METALTEK
- WHITE GRANITEK
- TITANIUM METALTEK
- CREAM GRANITEK*



QUADRA

100
 Cabinet 450 mm
 Depth 220 mm
 Size bowl dimension 340 x 400 mm
 Total dimensions 380 x 440 mm

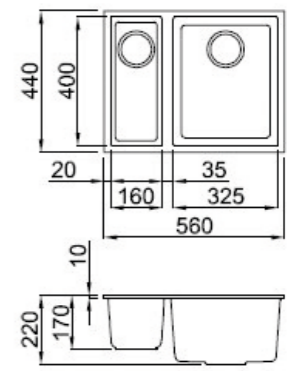


- BLACK METALTEK
- WHITE GRANITEK
- TITANIUM METALTEK
- CREAM GRANITEK



QUADRA

150
 Cabinet 600 mm
 Depth 170 + 220 mm
 Size bowl dimension 160 x 400 + 325 x 400 mm
 Total dimensions 560 x 440 mm

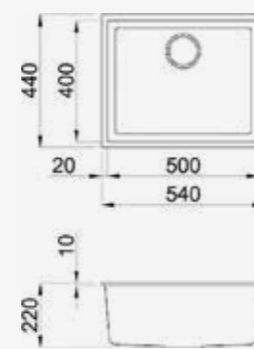


- BLACK METALTEK
- WHITE GRANITEK
- TITANIUM METALTEK



QUADRA

105
 Cabinet 600 mm
 Depth 220 mm
 Size bowl dimension 500 x 400 mm
 Total dimensions 540 x 440 mm

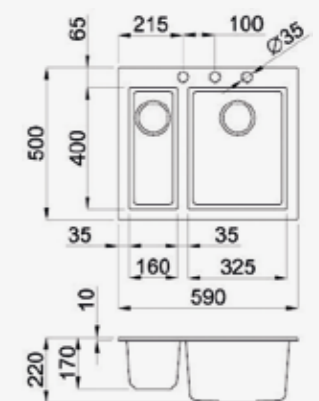


- BLACK METALTEK
- WHITE GRANITEK
- TITANIUM METALTEK
- CREAM GRANITEK



QUADRA

150 TAPWING
 Cabinet 600 mm
 Depth 170 + 220 mm
 Size bowl dimension 160 x 400 + 325 x 400 mm
 Total dimensions 590 x 500 mm



- BLACK METALTEK
- WHITE GRANITEK
- TITANIUM METALTEK



BEST COLLECTION

Minimal bowl radius, bigger bowls, integrated drain cover, rectangular overflow.

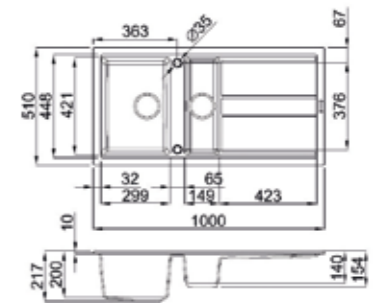


Reversible sink

BEST

475

Cabinet 600 mm
 Depth 200 + 140 mm
 Size bowl dimension 299 x 421 + 149 x 421 mm
 Total dimensions 1000 x 510 mm



● BLACK METALTEK

○ WHITE GRANITEK

● TITANIUM METALTEK

○ CREAM GRANITEK

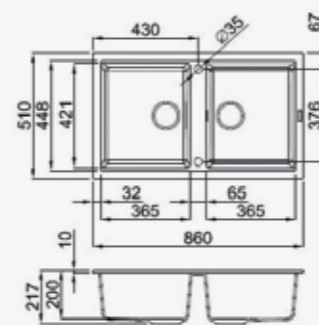


Reversible sink

BEST

450

Cabinet 900 mm
 Depth 200 + 200 mm
 Size bowl dimension 365 x 421 + 365 x 421 mm
 Total dimensions 860 x 510 mm



● BLACK METALTEK

○ WHITE GRANITEK

● TITANIUM METALTEK

○ CREAM GRANITEK

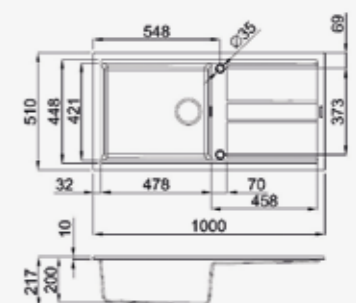


Reversible sink

BEST

480

Cabinet 600 mm
 Depth 200 mm
 Size bowl dimension 478 x 421 mm
 Total dimensions 1000 x 510 mm



● BLACK METALTEK

○ WHITE GRANITEK

● TITANIUM METALTEK

○ CREAM GRANITEK



EGO COLLECTION

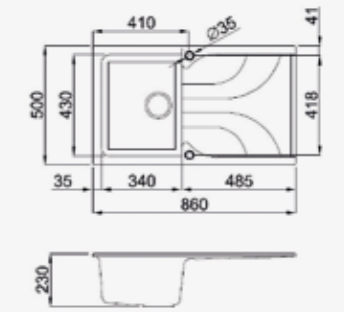
Designed to provide the perfect balance between style, quality, design and price.

The Ego features delicate curves to the drainer profile, good sized bowls and practicality.



EGO

400
Cabinet 450 mm
Depth 230 mm
Size bowl dimension 340 x 430 mm
Total dimensions 860 x 500 mm



Reversible sink



● BLACK METALTEK

○ WHITE GRANITEK

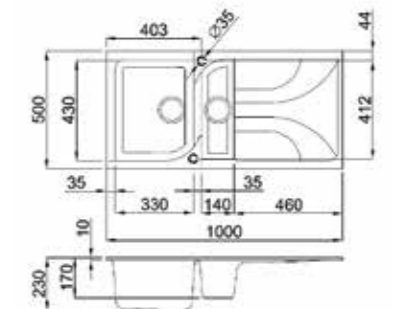
● TITANIUM METALTEK

○ CREAM GRANITEK



EGO

475
Cabinet 600 mm
Depth 230 + 170 mm
Size bowl dimension 330 x 430 + 140 x 430 mm
Total dimensions 1000 x 500 mm



Reversible sink



● BLACK METALTEK

○ WHITE GRANITEK*

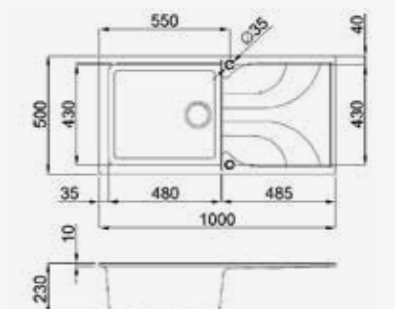
● TITANIUM METALTEK*

○ CREAM GRANITEK*



EGO

480
Cabinet 600 mm
Depth 230 mm
Size bowl dimension 480 x 430 mm
Total dimensions 1000 x 500 mm



Reversible sink



● BLACK METALTEK

○ WHITE GRANITEK

● TITANIUM METALTEK

○ CREAM GRANITEK

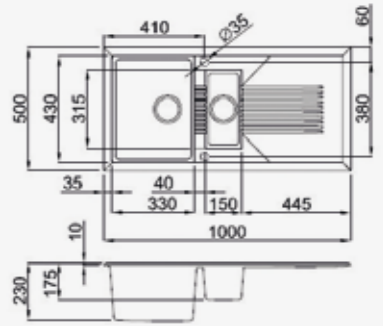


Made using the same exacting techniques as the other Elleci ranges, the Tekno perfectly combines a modern contemporary style with great design and quality, at a price point that makes it ultra-competitive. Available in anthracite or white, in a single bowl or bowl and a half configuration, the Tekno will suit any kitchen.



TEKNO

- 475
- Cabinet 600 mm
- Depth 230 + 175 mm
- Size bowl dimension 330 x 430 + 150 x 315 mm
- Total dimensions 1000 x 500 mm



Reversible sink

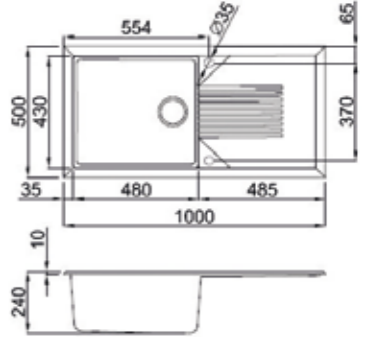


- ANTHRACITE GRANITEK
- WHITE GRANITEK



TEKNO

- 480
- Cabinet 600 mm
- Depth 240 mm
- Size bowl dimension 480 x 430 mm
- Total dimensions 1000 x 500 mm



Reversible sink



- ANTHRACITE GRANITEK
- WHITE GRANITEK

TEKNO COLLECTION





THE VERSATILE COMBINATIONS OF GRANITE: STYLE, STRENGTH AND PRACTICALITY

Our range of granite sinks are made from a combination of granite and synthetic resin.

We have two ranges available, Amsterdam and Harlem, in a total of 4 models and 4 colours:

Pure White, Black Silvery, Grey Silvery and Caffè Silvery.

This material is also very hygienic, easy to clean and maintain, meaning that they will look better for much longer than some other materials.

WHICH COLOURS ARE AVAILABLE?



PURE WHITE



BLACK SILVERY



GREY SILVERY



CAFFÈ SILVERY

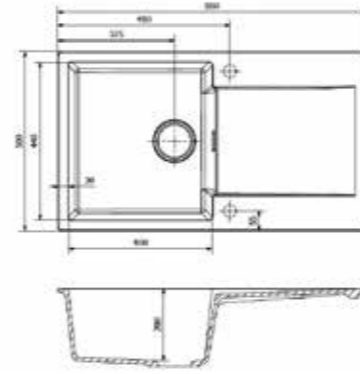
THE POWER
OF **GRANITE**





AMSTERDAM 10

Cabinet 600 mm
 Depth 200 mm
 Size bowl dimension 400 x 440 mm
 Total dimensions 860 x 500 mm



- Exclusive design
- Axigran
- Reversible sink

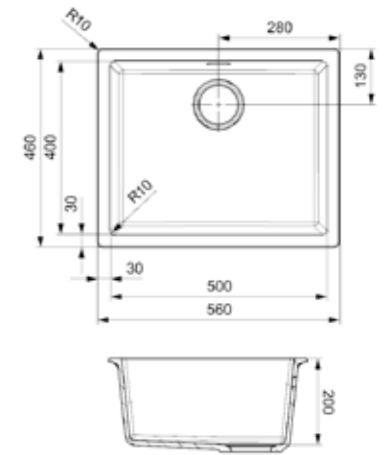


PURE WHITE GREY SILVERY BLACK SILVERY



AMSTERDAM 50

Cabinet 600 mm
 Depth 200 mm
 Size bowl dimension 500 x 400 mm
 Total dimensions 560 x 460 mm



- Exclusive design
- Axigran
- Reversible sink

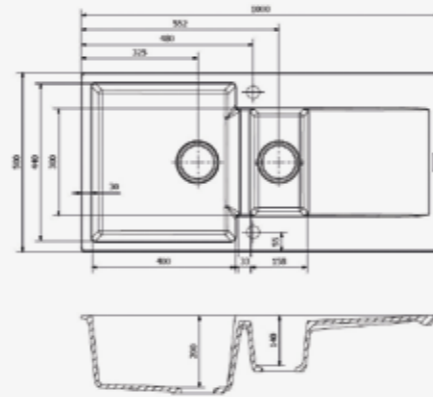


PURE WHITE GREY SILVERY BLACK SILVERY



AMSTERDAM 15

Cabinet 800 mm
 Depth 200 + 140 mm
 Size bowl dimension 400 x 440 + 158 x 300 mm
 Total dimensions 1000 x 500 mm



- Exclusive design
- Axigran
- Reversible sink

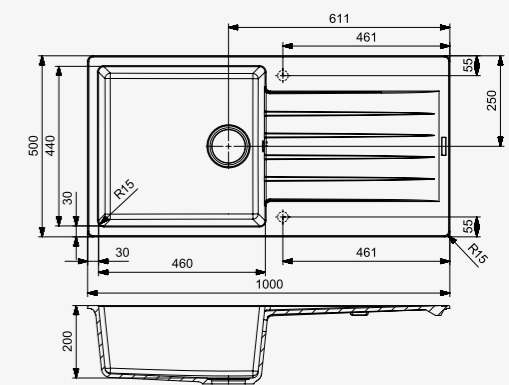


PURE WHITE GREY SILVERY BLACK SILVERY



HARLEM 10

Cabinet size 600 mm
 Depth 200 mm
 Size bowl dimension 460 x 440 mm
 Total dimensions 1000 x 500 mm



- Exclusive design
- Axigran
- Reversible sink

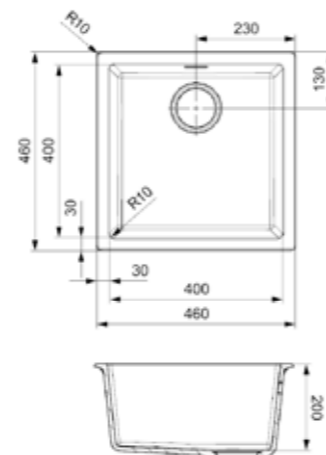


PURE WHITE GREY SILVERY BLACK SILVERY CAFFE SILVERY



AMSTERDAM 40

Cabinet 500 mm
 Depth 200 mm
 Size bowl dimension 400 x 400 mm
 Total dimensions 460 x 460 mm



- Exclusive design
- Axigran
- Reversible sink

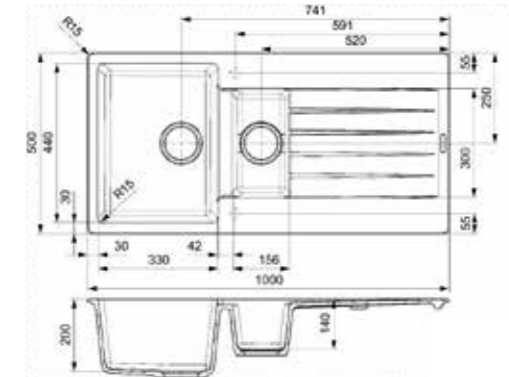


PURE WHITE GREY SILVERY BLACK SILVERY



HARLEM 15

Cabinet size 600 mm
 Depth 200 + 140 mm
 Size bowl dimension 330 x 440 + 156 x 300 mm
 Total dimensions 1000 x 500 mm



- Exclusive design
- Axigran
- Reversible sink



PURE WHITE GREY SILVERY BLACK SILVERY CAFFE SILVERY

WHERE TRADITIONAL MEETS CONTEMPORARY

Our ceramic sinks are a contemporary alternative to other materials in our range and can be an effective addition to any kitchen. These sinks are made from fireclay meaning they are superior in strength and have a high glossy finish. Due to this manufacturing process these sinks do have a tolerance either way. Our ceramic range has a wide range of variety from inset sinks with a drainer available in both black and white to undermount sinks without drainer.

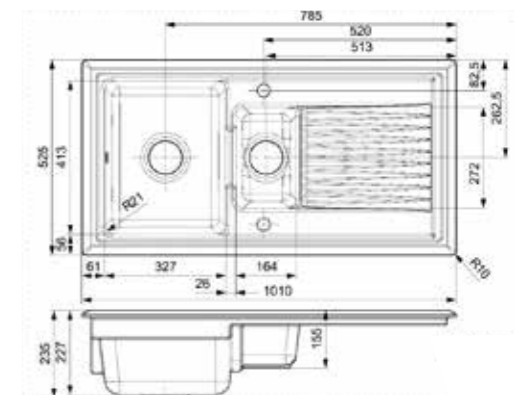


RL301 CW

Cabinet	600 mm
Depth	223 + 165 mm
Size bowl dimension	327 x 413 + 161 x 272 mm
Total dimensions	1010 x 525 mm



Reversible sink

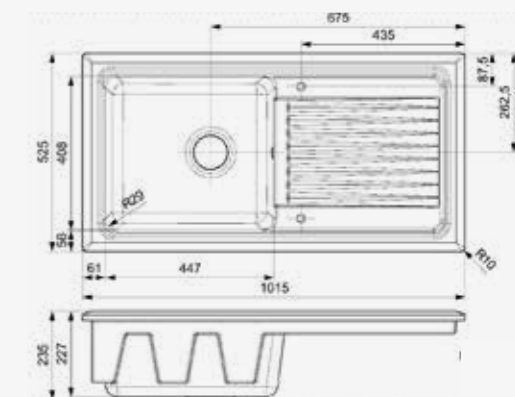


RL304 CW

Cabinet	600 mm
Depth	227 mm
Size bowl dimension	447 x 408 mm
Total dimensions	1015 x 525 mm



Reversible sink



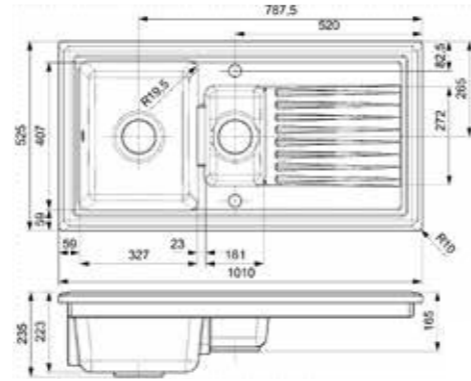


RL401 CB

Cabinet 600 mm
 Depth 223 + 165 mm
 Size bowl dimension 327 x 407 + 161 + 272 mm
 Total dimensions 1010 x 525 mm



Reversible sink

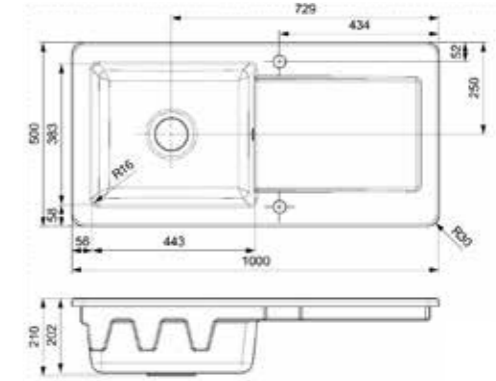


RL504 CW

Cabinet 600 mm
 Depth 202 mm
 Size bowl dimension 443 x 383 mm
 Total dimensions 1000 x 500 mm



Reversible sink

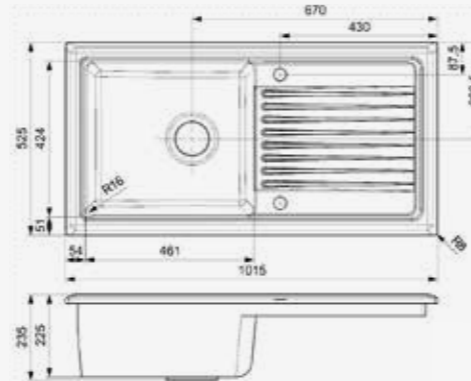


RL404 CB

Cabinet 600 mm
 Depth 227 mm
 Size bowl dimension 447 x 408 mm
 Total dimensions 1015 x 525 mm



Reversible sink

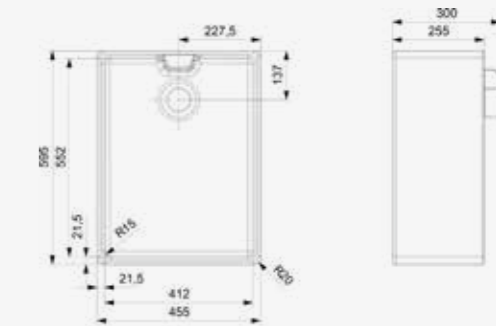


BELFAST 90MM

Cabinet 600 mm
 Depth 250 mm
 Size bowl dimension 412 x 552 mm
 Total dimensions 455 x 595 mm



Not suitable for waste disposal unit

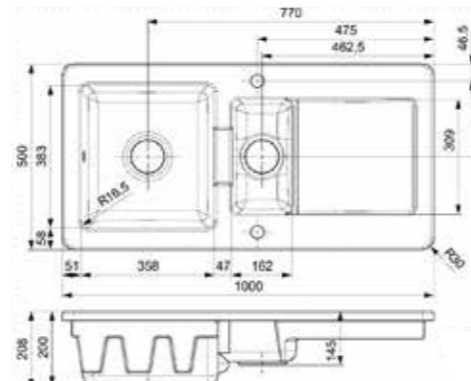


RL501 CW

Cabinet 800 mm
 Depth 200 + 145 mm
 Size bowl dimension 358 x 383 + 162 x 309 mm
 Total dimensions 1000 x 500 mm



Reversible sink

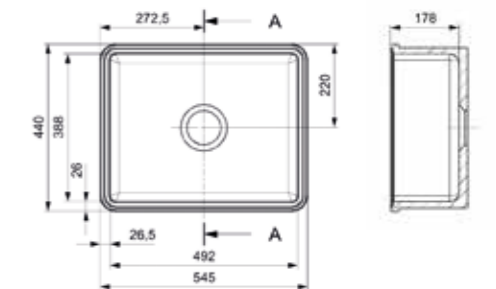


MATARO

Cabinet 600 mm
 Depth 178 mm
 Size bowl dimension 492 x 388 mm
 Total dimensions 545 x 440 mm



Not suitable for waste disposal unit



FOR MORE INFORMATION TAKE A LOOK AT
WWW.REGINOX.CO.UK

COMMERCIAL SINKS



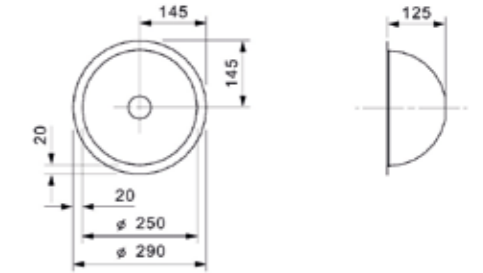
RIO

SP H NOF

Cabinet	300 mm
Depth	125 mm
Size bowl dimension	250 mm
Total dimensions	290 mm



Material finish: polished inox
Without overflow

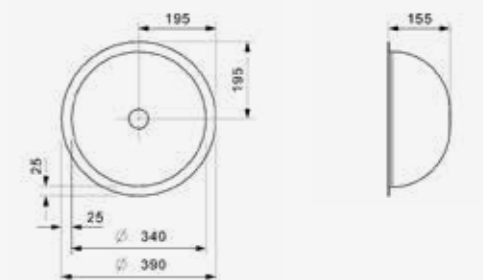


CARIBBEAN*

Cabinet	400 mm
Depth	155 mm
Size bowl dimension	340 mm
Total dimensions	390 mm



Material finish: polished inox



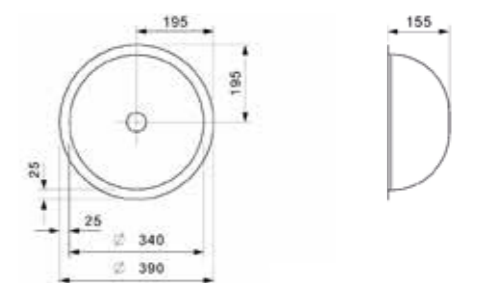
CARIBBEAN*

SP H NOF

Cabinet	400 mm
Depth	155 mm
Size bowl dimension	340 mm
Total dimensions	390 mm



Material finish: polished inox
Without overflow

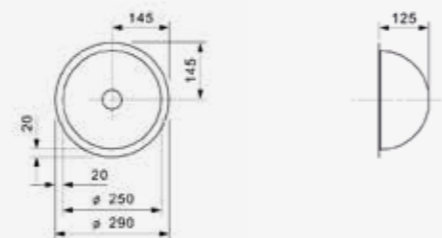


RIO

Cabinet	300 mm
Depth	125 mm
Size bowl dimension	250 mm
Total dimensions	290 mm



Material finish: polished inox

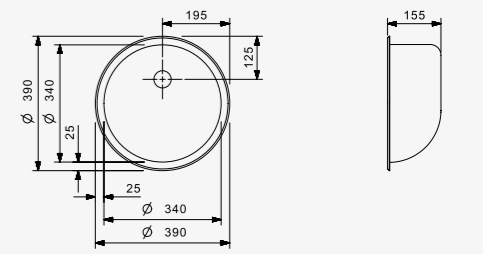


AMAZONE*

Cabinet	400 mm
Depth	155 mm
Size bowl dimension	340 mm
Total dimensions	390 mm



Material finish: polished inox





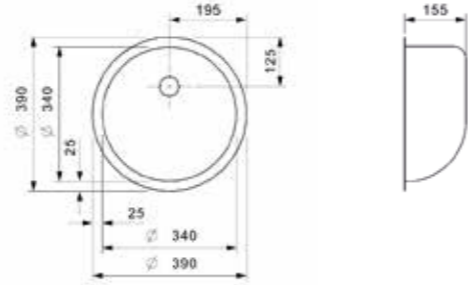
AMAZONE

SP H NOF

Cabinet 400 mm
Depth 155 mm
Size bowl dimension 340 mm
Total dimensions 390 mm



Material finish: polished inox
Without overflow



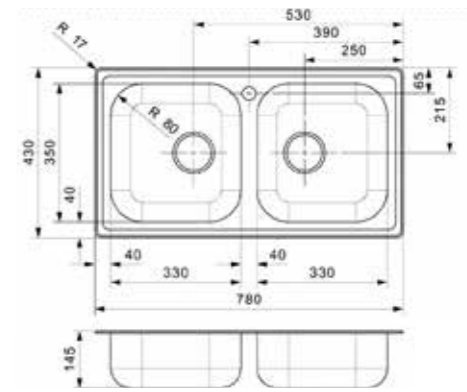
BETA

20 BAP

Cabinet 800 mm
Depth 145 + 145 mm
Size bowl dimension 330 x 350 + 330 x 350 mm
Total dimensions 780 x 430 mm



Material finish: polished inox
Without overflow | Undrilled unless requested



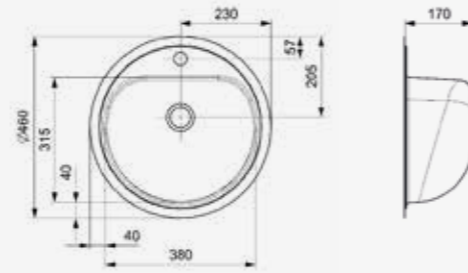
ATLANTIS

SP H NOF

Cabinet 450 mm
Depth 170 mm
Size bowl dimension 380 x 315 mm
Total dimensions 460 mm



Material finish: polished inox
Without overflow



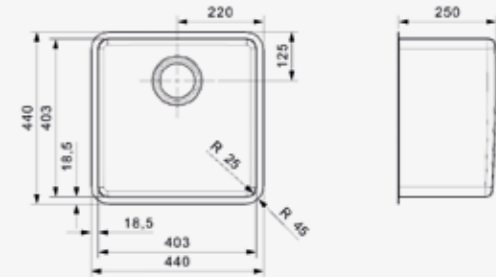
KANSAS

40X40 SP H NOF

Cabinet 450 mm
Depth 250 mm
Size bowl dimension 403 x 403 mm
Total dimensions 440 x 440 mm



Material finish: polished inox
Without overflow

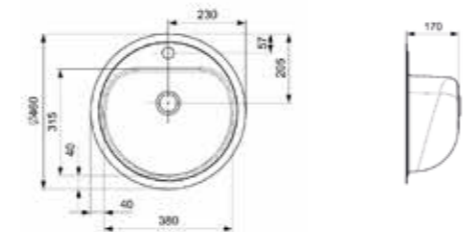


ATLANTIS*

Cabinet 450 mm
Depth 170 mm
Size bowl dimension 380 x 315 mm
Total dimensions 460 mm



Material finish: polished inox



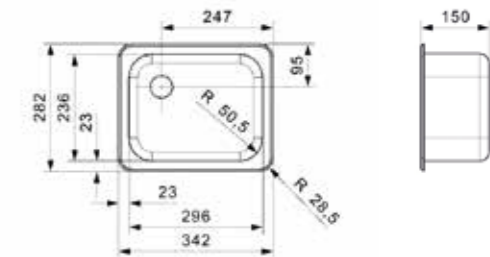
R18 2330

OSK

Cabinet 400 mm
Depth 150 mm
Size bowl dimension 236 x 296 mm
Total dimensions 282 x 342 mm



Material finish: polished inox



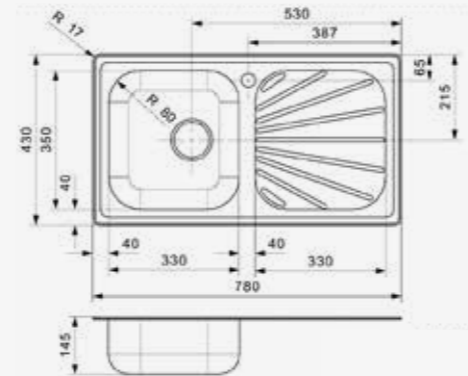
BETA*

10 BAP

Cabinet 450 mm
Depth 145 mm
Size bowl dimension 330 x 350 mm
Total dimensions 780 x 430 mm



Material finish: polished inox
Without overflow | Undrilled unless requested



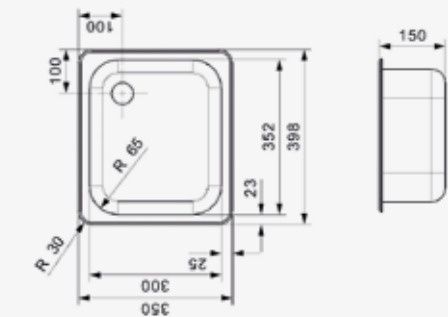
R18 3530

OSK

Cabinet 400 mm
Depth 150 mm
Size bowl dimension 300 x 352 mm
Total dimensions 350 x 398 mm



Material finish: polished inox





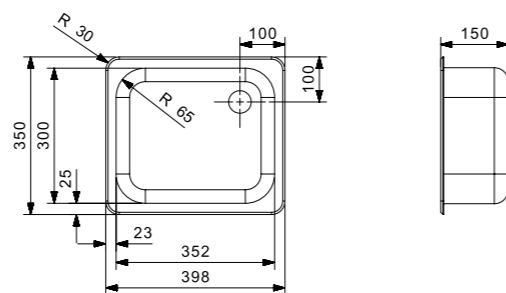
R18 3530

SP H NOF

Cabinet	400 mm
Depth	150 mm
Size bowl dimension	300 x 352 mm
Total dimensions	350 x 398 mm



Material finish: polished inox
Without overflow



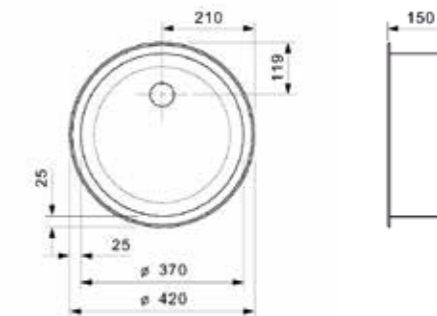
R18 370

SP H NOF

Cabinet	450 mm
Depth	150 mm
Size bowl dimension	370 mm
Total dimensions	420 mm



Material finish: polished inox
Without overflow



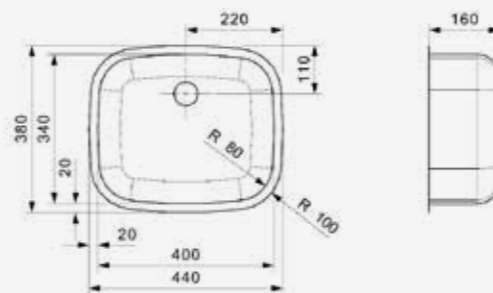
L18 3440

KG H NOF

Cabinet	450 mm
Depth	160 mm
Size bowl dimension	400 x 340 mm
Total dimensions	440 x 380 mm



Material finish: polished inox
Without overflow



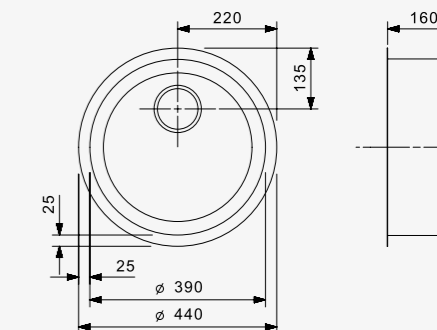
L18 390*

KG H NOF

Cabinet	450 mm
Depth	160 mm
Size bowl dimension	390 mm
Total dimensions	440 mm



Material finish: polished inox
Without overflow



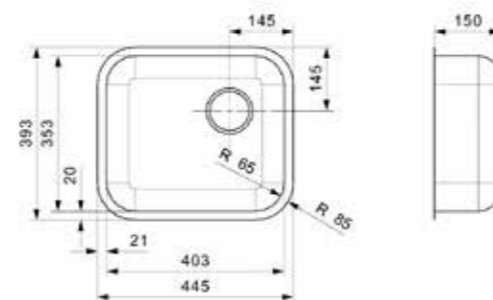
L18 4035*

KG H NOF

Cabinet	450 mm
Depth	150 mm
Size bowl dimension	403 x 353 mm
Total dimensions	445 x 393 mm



Material finish: polished inox
Without overflow

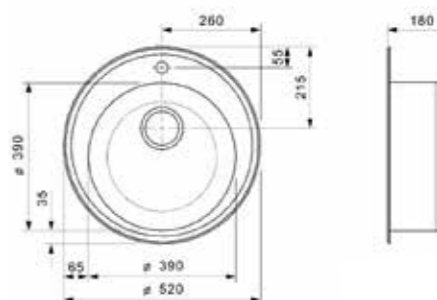


MOSCOW

Cabinet	450 mm
Depth	180 mm
Size bowl dimension	390 mm
Total dimensions	520 mm



Material finish: polished inox



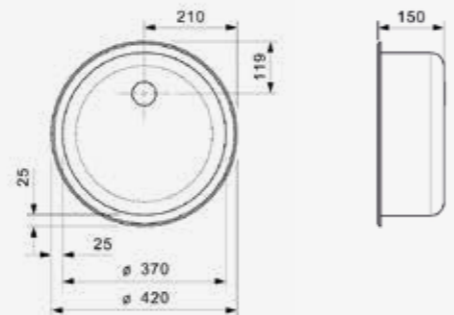
R18 370

OSP

Cabinet	450 mm
Depth	150 mm
Size bowl dimension	370 mm
Total dimensions	420 mm



Material finish: polished inox



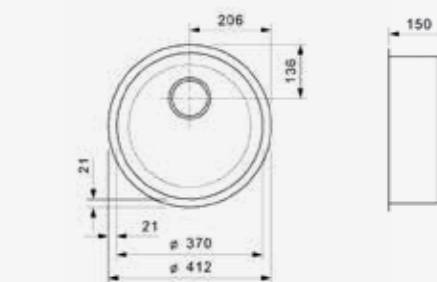
L18 370

OKG

Cabinet	450 mm
Depth	150 mm
Size bowl dimension	370 mm
Total dimensions	412 mm



Material finish: polished inox



**KITCHEN
TAPS**

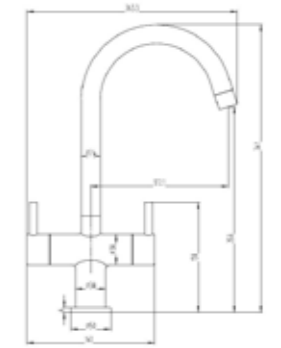


Our kitchen taps are carefully selected to fully complement our different sink styles. We source our taps from hand selected partners, most of our taps carry the Reginox brand. They are well engineered and carry excellent guarantees and back up service. The ideal combination of style, compatibility, quality and performance.



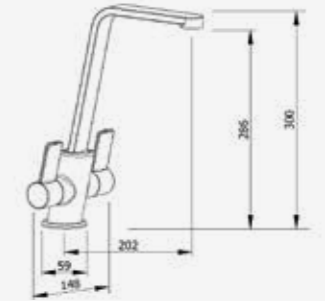
ADOUR CH

Chrome
0.5 - 5.0 bar



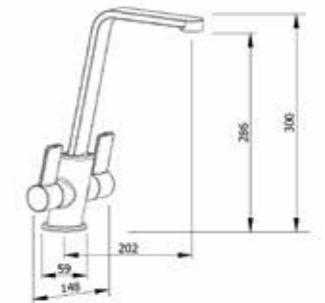
ALPINA BN MID SKY

Brushed nickel and black
0.2 - 6.0 bar



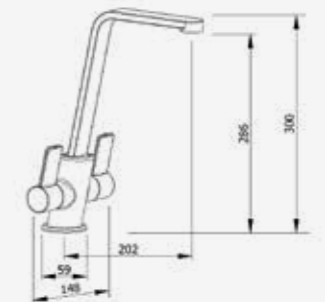
ALPINA CB

Chrome and black
0.2 - 6.0 bar



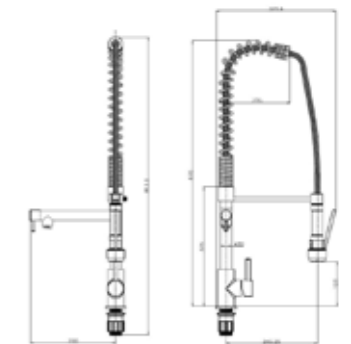
ALPINA CH

Chrome
0.2 - 6.0 bar



ALTUS CH

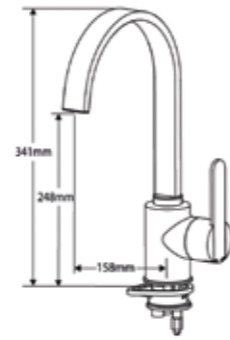
Chrome
0.5 - 5.0 bar





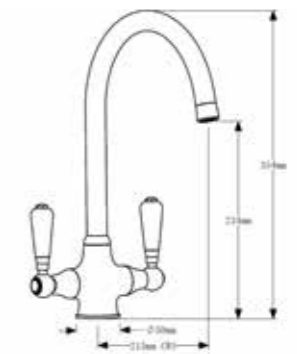
AMUR BN

Brushed nickel
0.2 - 5.0 bar



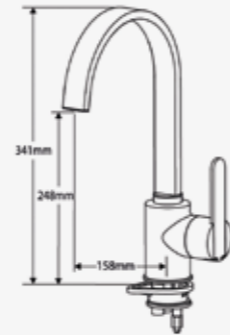
BROOKLYN CH

Chrome with black ceramic handles
0.2 - 6.0 bar



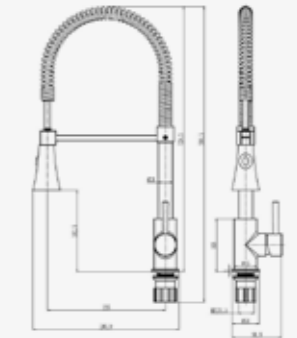
AMUR CB

Chrome and black
0.2 - 5.0 bar



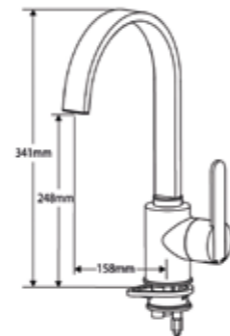
CHIANA CH

Chrome
0.5 - 5.0 bar



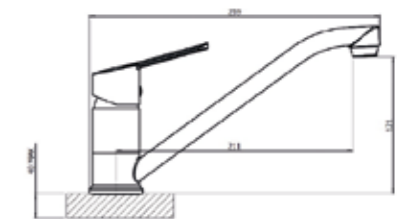
AMUR CH

Chrome
0.2 - 5.0 bar



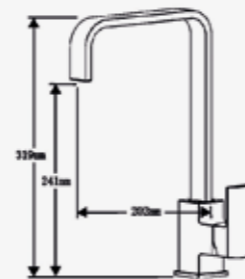
DANIA CH

Chrome
0.1 - 6.0 bar



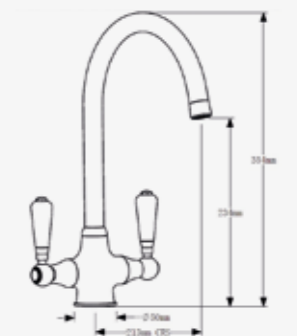
ASTORIA BN

Brushed nickel
0.4 - 5.0 bar



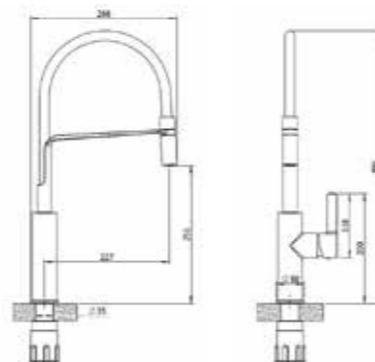
ELBE BN

Brushed nickel with white ceramic handles
0.2 - 6.0 bar



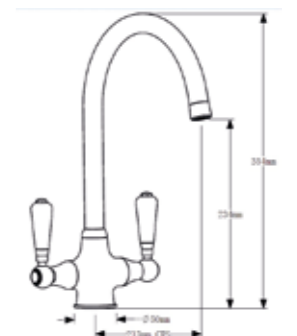
AURORA CH

Chrome and black
0.5 - 6.0 bar
Pull-out hose



ELBE CH

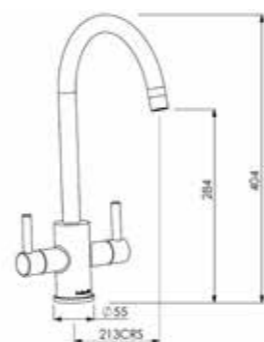
Chrome with white ceramic handles
0.2 - 6.0 bar





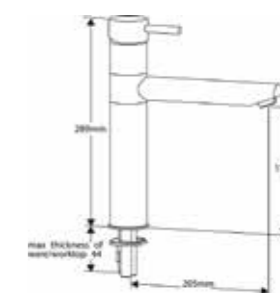
GENESIS BH

Chrome with black ceramic handles
0.2 - 6.0 bar



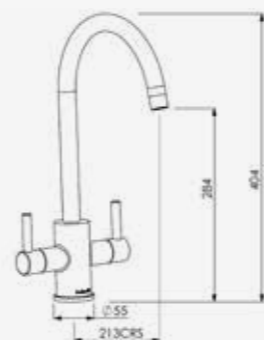
HUDSON BN

Brushed nickel
0.3 - 5.0 bar



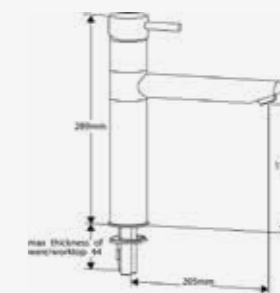
GENESIS BN

Brushed nickel
0.2 - 6.0 bar



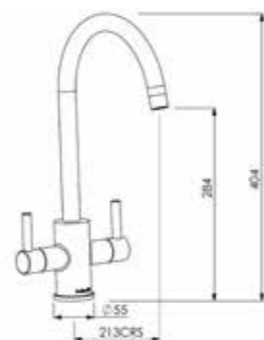
HUDSON CB

Chrome and black
0.3 - 5.0 bar



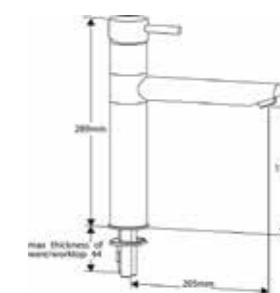
GENESIS CB

Chrome and black
0.2 - 6.0 bar



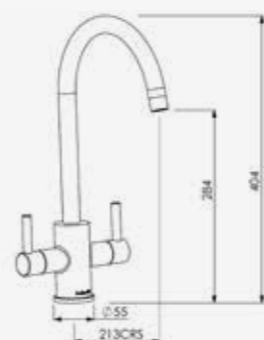
HUDSON CH

Chrome
0.3 - 5.0 bar



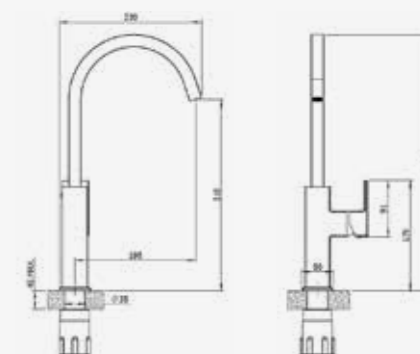
GENESIS CH

Chrome
0.2 - 6.0 bar



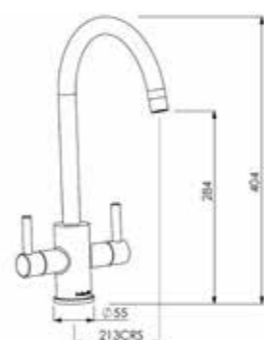
INDUS CH

Chrome
0.5 - 6.0 bar



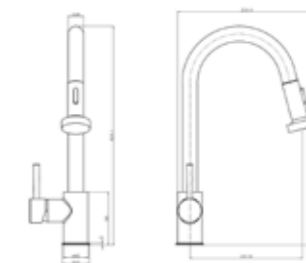
GENESIS WH

Chrome with white ceramic handles
0.2 - 6.0 bar



MARTA CH

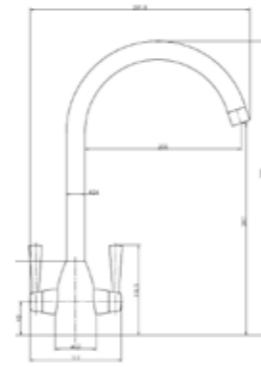
Chrome
0.5 - 5.0 bar





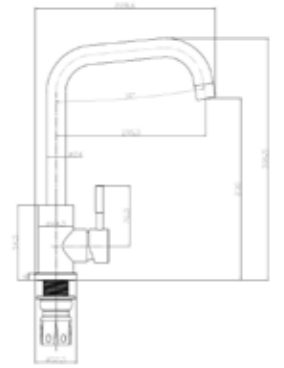
MESA CH

Chrome
0.5 - 5.0 bar



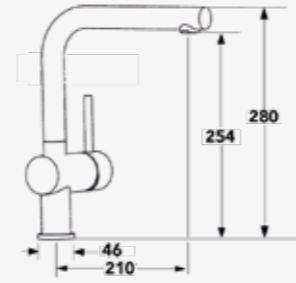
SALINA BN

Brushed nickel
0.5 - 5.0 bar



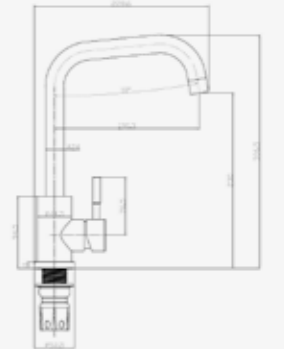
MOJAVE CH

Chrome
0.2 - 6.0 bar



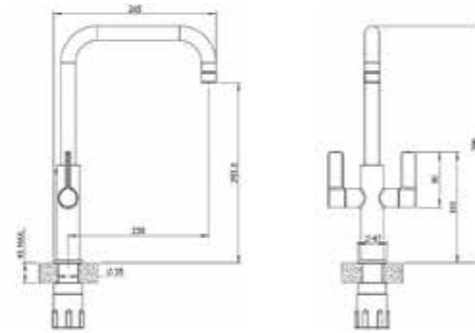
SALINA CH

Chrome
0.5 - 5.0 bar



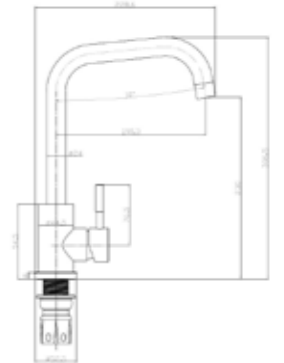
NARVA CH

Chrome
0.1 - 6.0 bar



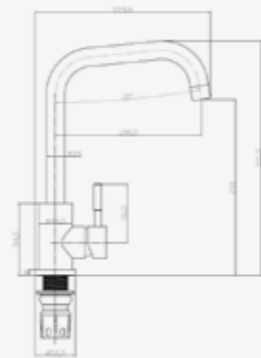
SALINA COPPER

PVD Brushed Copper
0.5 - 5.0 bar



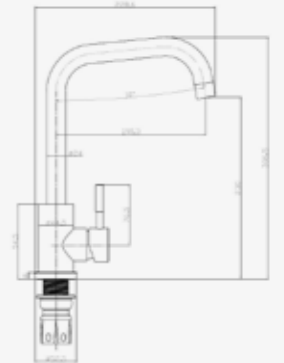
NERA MB

Black
0.5 - 5.0 bar



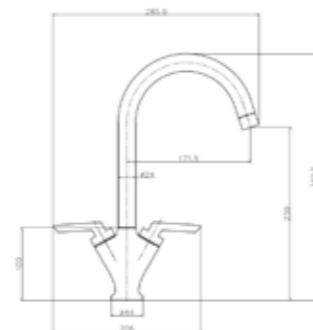
SALINA GOLD

PVD Brushed Gold
0.5 - 5.0 bar



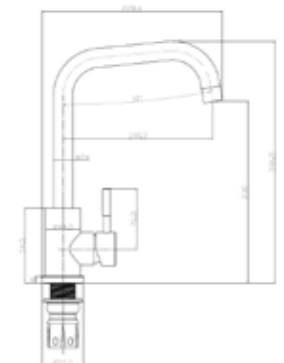
PIQUA CH

Chrome
0.5 - 5.0 bar



SALINA GUN METAL

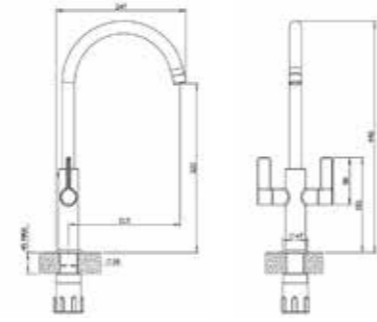
PVD Brushed Gun Metal
0.5 - 5.0 bar





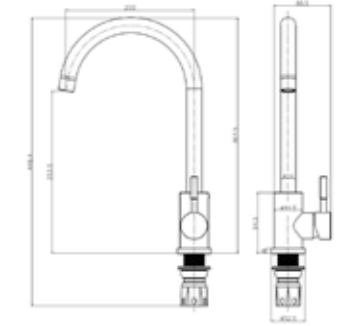
SOFIA CH

Chrome
0.1 - 6.0 bar



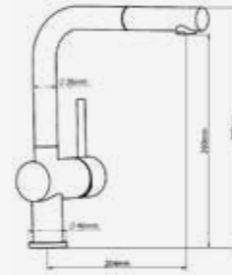
TARAVO GOLD

PVD Brushed Gold
0.5 - 5.0 bar



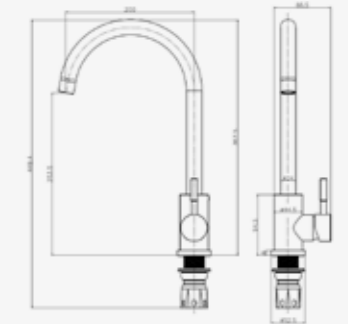
SONORAN CB

Chrome and black
0.3 - 6.0 bar
Pull-out hose



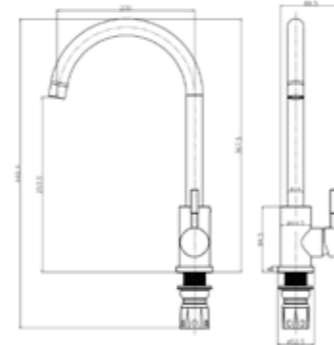
TARAVO GUN METAL

PVD Brushed Gun Metal
0.5 - 5.0 bar



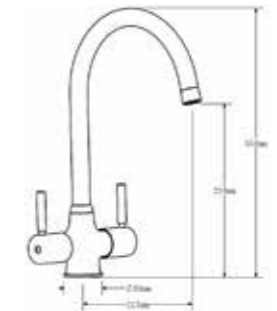
TARAVO BN

Brushed nickel
0.5 - 5.0 bar



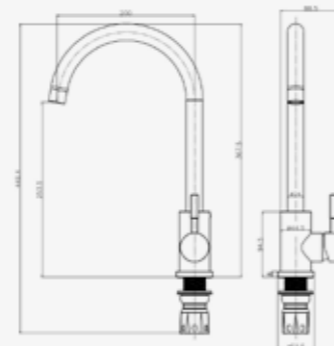
THAMES CH

Chrome
0.2 - 6.0 bar



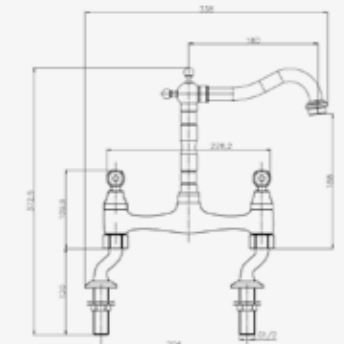
TARAVO CH

Chrome
0.5 - 5.0 bar



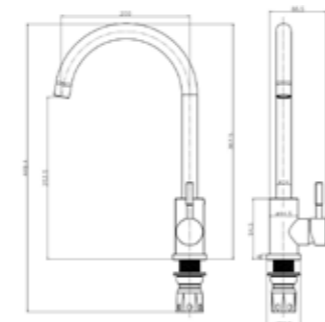
UTICA CH

Chrome
0.5 - 5.0 bar



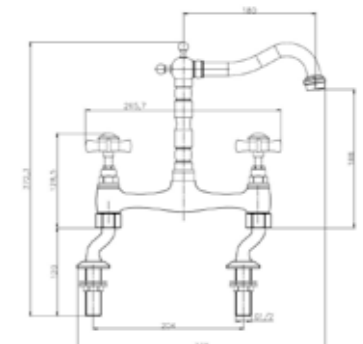
TARAVO COPPER

PVD Brushed Copper
0.5 - 5.0 bar



VELINO CH

Chrome
0.5 - 5.0 bar



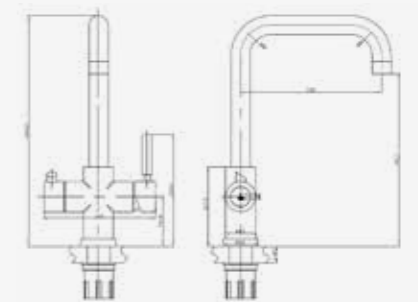


INSTANT HOT WATER TAPS

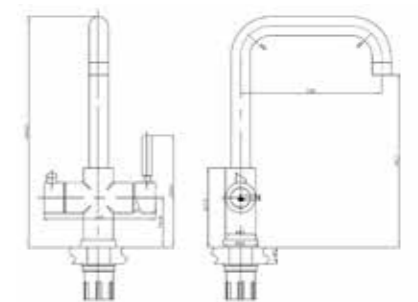
The Amanzi boiling water tap range by Reginox dispenses both standard hot & cold water as well as boiling hot water with temperature adjustable from 75 to 98 degrees Celcius. The boiling water is instantly dispensed via a child-safe spring lock action and runs through the centre of the tap ensuring the tap is always cold to the touch and provides the perfect safety feature for a busy working family. Delivering a completely safe flow of water from the spout without any of the dangerous 'spitting' that is sometimes associated with 3-in-1 taps. The Amanzi replaces the need for a kettle, enabling homeowners to save both space and money, it has a tank capacity of 2.4 litres and comes with a 5-year guarantee.



AMANZI CH II *



AMANZI BN II *

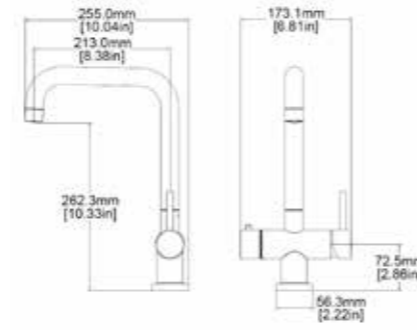


* Limited availability – please call us for more information

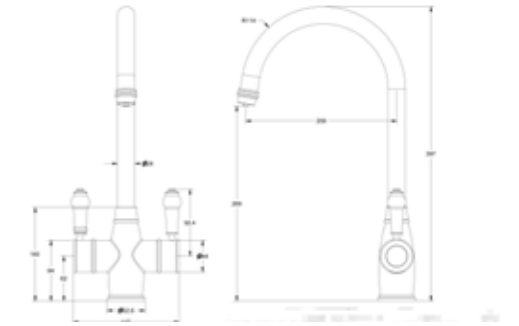
BOILING WATER TAPS



AMANZI II COPPER

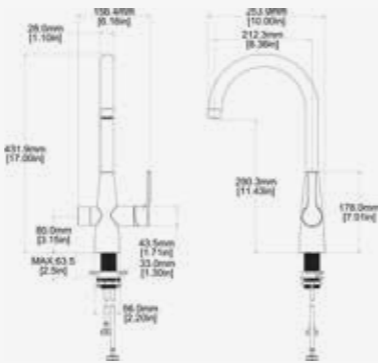


VECHI II

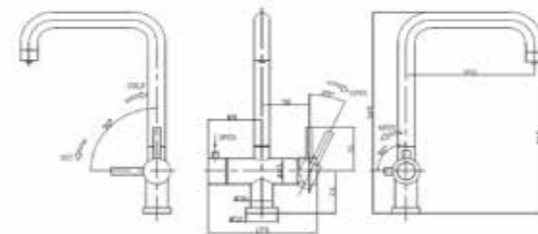


AQUADZI

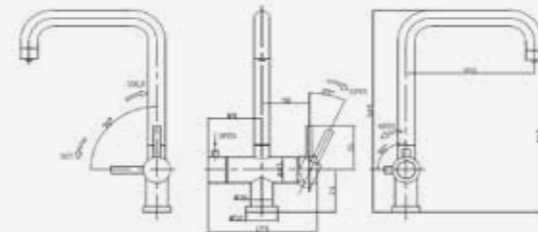
4 in 1 Boiling Water Tap (including filtered cold)
 Touch control technology
 Latest generation tank
 WRAS Approvals
 CAUK approvals



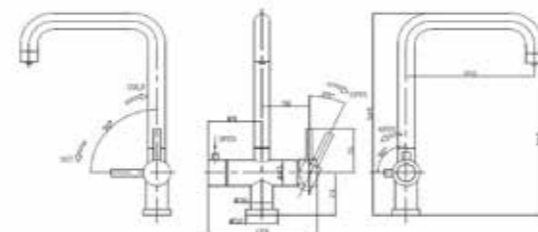
TRIBEZI CH **



TRIBEZI BN **



TRIBEZI MATT BLACK **





LUXURY
STAINLESS STEEL
WORKTOPS

DESIGN - TIMELESS - QUALITY

A stainless steel finish for your worktops is the most iconic material you can choose for a modern, sleek and hygienic kitchen. Stainless steel has many practical benefits to bring to your kitchen, such as ease of cleaning and maintenance and highly hygienic. Reginox worktops are made uniquely for each customer from high quality, recycled steel at our factory, available in any design and size you choose. At Reginox we have a keen eye for detail and quality, we can produce the worktops without seams, depending on the length, finish and thickness, which may vary from 10 mm to a maximum of 40 mm. Seamlessly-welded cooktops are also available from Reginox.



CREATING THE PERFECT LOOK

CORNER FINISH

For the corner joins on your worktop there are 3 variants you can choose from: a welded seam, a bolted joint or an almost seamless mitre jointed adhesive seam. The mitre jointed adhesive seam is particularly suitable in situations where welding may have an adverse effect on the quality of the final product, or where the dimensions of the worktop are so large that delivery or installation in one piece would be problematic and we only want to supply the upmost quality for our customers.

EDGE PROFILES

To enhance the appearance of worktops, we can manufacturer these with various edge profiles. The edge thickness of your unique worktop can vary from 10 mm to 40 mm.

STAINLESS STEEL END SUPPORTS

Our worktops can rest on the base cabinet but rather than limit our product to this only installation option stainless steel end supports can also be used to support to the worktop. These supports are also available in various lengths, widths and depths and made to fit any kitchen for a unique finish.

STAINLESS STEEL PANELS

We can also manufacturer made to measure stainless steel panels, these too are available in various designs and sizes. For example, the rear or side wall of your kitchen can match your unique worktop.



OUR LUXURY STAINLESS STEEL WORKTOPS IN **FACTS AND FIGURES**

LENGTH

Up to 6000 mm

WORKTOP THICKNESS

From 10 mm to 40 mm

STAINLESS STEEL THICKNESS

1 mm to 1.2 mm

STAINLESS STEEL RIDGED THICKNESS

0.7 mm to 1.2 mm

INSTALLATION METHODES

Almost all Reginox sinks can be integrated into our worktops.

DESIGN OPTIONS FOR WORKTOPS

Straight, corner, U-shaped, high-backed, block profile, finished all around, hob recess, tap hole, corner, column recess, island worktops and many more.

STAINLESS STEEL 304

Available in matt brushed, wild brushed, aluminium look and 3D look finishes. Brushed (stainless steel 316).

ASK REGINOX
ABOUT THE MANY
POSSIBILITIES

WASTE DISPOSAL UNITS

Introduced recently, the new range of waste disposal units from Reginox are manufactured by one of the worlds most recognised brands. Featuring high quality motors and premium component parts which set them apart from other leading brands, they are designed to be quiet, efficient and highly effective.

With such emphasis on excessive landfill issues and often reduced refuse collection schedules, a waste disposal unit can instantly help remove food waste and smells from leftovers as well as being kind on the environment by reducing the amount of methane gas and unwanted greenhouse emissions.

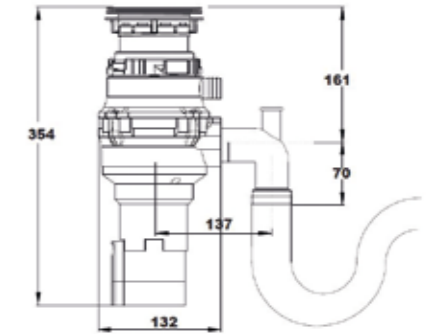
With four models to choose from and varying levels of specification, price points and all carrying the trusted Reginox brand this range is a welcome addition to our product portfolio.

WASTE DISPOSAL UNITS



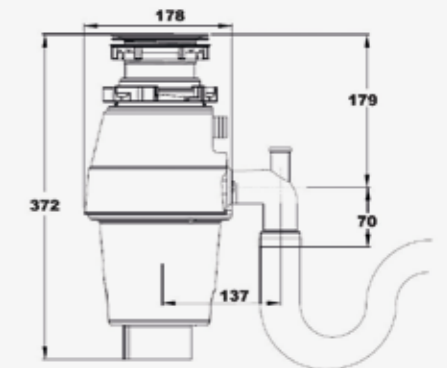
RD 50

- 2600 RPM - Jam busting speed
- Permanent magnetic motor
- Bio shield odour protection
- Torque master grinding system
- Removeable splash guard
- Regular sound shell
- 0.5 horse power
- 1 year warranty



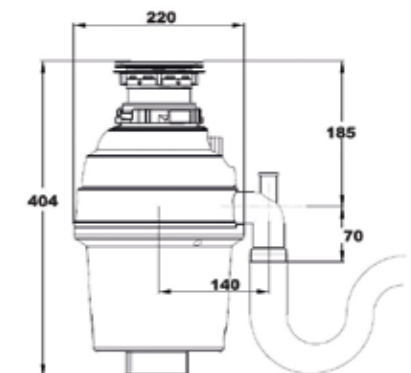
RD 60

- 2600 RPM - Jam busting speed
- Permanent magnetic motor
- Bio shield odour protection
- Torque master grinding system
- Removeable splash guard
- Deluxe sound shell
- 0.55 horse power
- 2 year warranty



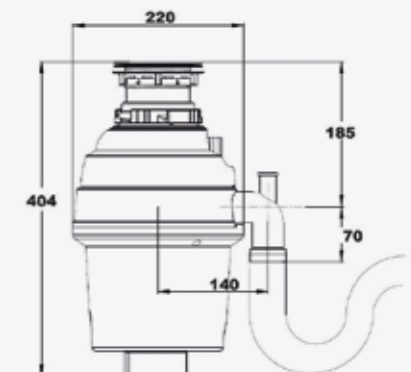
RD 70 A/S

- 2700 RPM - Jam busting speed
- Permanent magnetic motor
- Bio shield odour protection
- Torque master grinding system
- Removeable splash guard
- Deluxe sound shell
- 0.65 horse power
- 3 year warranty



RD 100 I A/S

- 2700 RPM - Jam busting speed
- Permanent magnetic motor
- Bio shield odour protection
- Torque master grinding system
- Removeable splash guard
- Deluxe plus sound shell
- 0.75 horse power
- 3 year warranty





SPACE SAVING

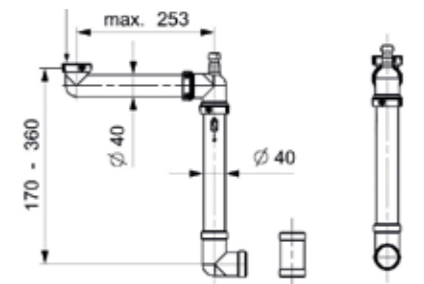
The space saving waste is a cutting-edge design that helps to utilise the space under your kitchen sink. This unique space saving design incorporates a 'none return valve' which removes the need for a bulky trap. It takes the pipework to the back of the cabinet meaning you can save space which is otherwise wasted by a traditional syphon.

Our Panama is suitable for any type of sink, with its modern, simple design can make a huge difference to any kitchen.



PANAMA WASTE

Red Dot award winner 2016
With dishwasher connection



PANAMA THE SMARTEST WASTE SYSTEM



reddot award 2016
honourable mention



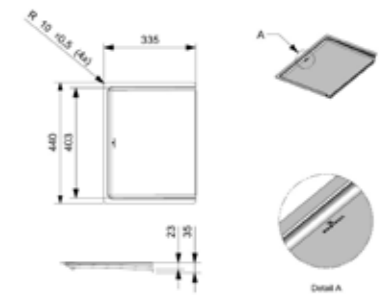
ASPEN PRACTICAL AND STYLISH ACCESSORY



ASPEN

Depth 23 mm
Size 335 x 440 mm

Stainless steel drainer accessory



SUITABLE ACCESSORIES



STAINLESS STEEL COLANDERS

B0899RLU00GPZ	Centurio L1.5, Centurio R1.5, Diplomat 1.5 Lux, Diplomat 1.5 Eco
B49R0LGS00GDS	Texas, Ohio, New York, Houston, Kansas, Ontario
R3001	Miami Gun Metal
R3002	Miami Copper
R3003	Miami Gold
GSC 01	Smart 500, 480, 475
GSC 02	Multa 102, 105, 130, Smart 500, 480, 475, Best 480, 450, Tekno 480, 475, Easy 150
GSC 04	Smart 500, 480, 475, Best 480, 475, 450, Tekno 480, 475, Easy 150



PLASTIC COLANDERS

R1000	Centurio L1.5, Centurio R1.5, Diplomat 1.5 Lux, Diplomat 1.5 Eco, Le Mans 1.5
R1035	Centurio L10, L20, L30, L1.5, Diplomat 10 lux, 1.5 Lux, 20 Lux, 10 Eco, 1.5 Eco
GPC01	Ego 400, 480, 475

WOODEN CUTTING BOARDS



S1210	Denver
S1240	Nevada
S3105	Jumbo
S3110	Jumbo
GWCB 01	Smart 500, 480, 475
GWCB 03	Quadra 100, 105, 130



GLASS CUTTING BOARDS

GGCB 01	Smart 500, 480, 475
GGCB 02	Smart 500, 480, 475



BOTTOM GRID

GBP 01	Quadra 100
R1641	Texas 40x40
R3004	Miami 40x40 Gun Metal
R3005	Miami 40x40 Copper
R3006	Miami 40x40 Gold
R3007	Miami 50x40 Gun Metal
R3008	Miami 50x40 Copper
R3009	Miami 50x40 Gold



CHROME PLATED WIRE BASKETS

R1160	L18 4035, R18 4035, L18 3440, Regidrain, Regent 10, 30, Colorado Comfort
R1190	Centurio L10, L20, L30, L1.5, Diplomat 10 lux, 1.5 Lux, 20 Lux, 10 Eco, 1.5 Eco
CWB 10	RL 304 CW, RL 404 CB
CWB 15	RL 301 CW, RL 401 CB, Centurio L10, L20, L30, L1.5, Diplomat 10 lux, 1.5 Lux, 20 Lux, 10 Eco, 1.5 Eco, Smart 500, 475
GSSB 02	Quadra 105, Best 480, 475, 450, Ego 475, 400, Easy 150
GSSB 03	Best 450



CHROME PLATED WIRE BASKET DRAINER

CBD1	RL301 CW, RL304 CW, RL401 CB, RL404 CB, RL501 CW, RL504 CW, Ceramic Drainer, Centurio L10, L1.5, R10, R1.5, Diplomat 10 Lux, 1.5 Lux, 10 Eco, 1.5 Eco, Minister, Le Mans, Daytona, Regent 10, 30
GPR 01	Smart 500, 480, 475, Best 480, 475, Ego 400, 480, 475, Tekno 480, 475



WASTE KITS

M 1726	Single bowl (depth 145 - 180 mm)
M 1727	Single bowl (depth 165 - 200 mm)
M 1782	Double bowl
M 1767	OKG square (Texas & Nevada)
M 1724	OKG Ohio
M 1150	SPO Alpha 10
M 1718	OKG Colorado comfort, New York



POP UP

M1785 Centurio L10, R10, Diplomat 10 Lux, 10 Eco
GPUW 01 Quadra 50,100, 105, 130, 150, Easy 150, Ego 400, 480, 475, Tekno 480, 475



SOAP DISPENSER

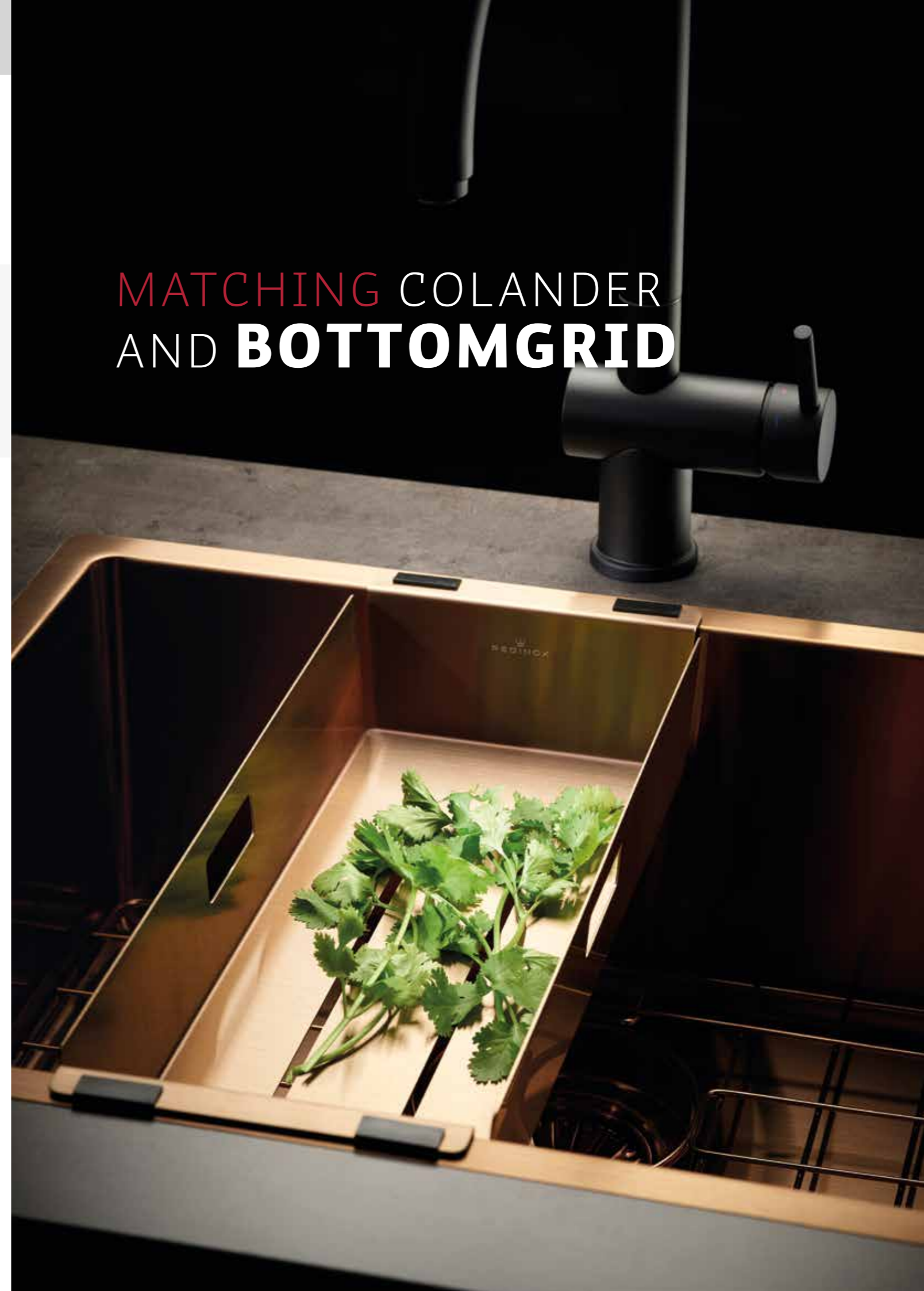
PS 100 All Reginox products
GSD 01 All Reginox products
GSD 02 All Reginox products



CLEAN AND CARE

INOX CARE All Reginox stainless steel sinks
TOTAL CLEAN All Elleci granite sinks
ANTISCALE All Elleci granite sinks
ENAMEL RUBBER All Regi-Ceramic sinks

MATCHING COLANDER AND **BOTTOMGRID**



Reginox UK Ltd

A Units 1-4 Radnor Park Trading Estate
Back Lane Congleton Cheshire
CW12 4XJ England
T + 44 (0)1260 28 00 33
E sales@reginox.co.uk
www.reginox.co.uk

Reginox bv

A P.O. Box 82
7460 AB Rijssen
The Netherlands
T + 31 (0)548 53 56 35
E info@reginox.com
www.reginox.com

Reginox Far East Pte Ltd

A 2 Loyang Lane #03-03
Singapore 508913
T + (65)67 88 53 63
E info@reginox.com.sg
www.reginox.com.sg